

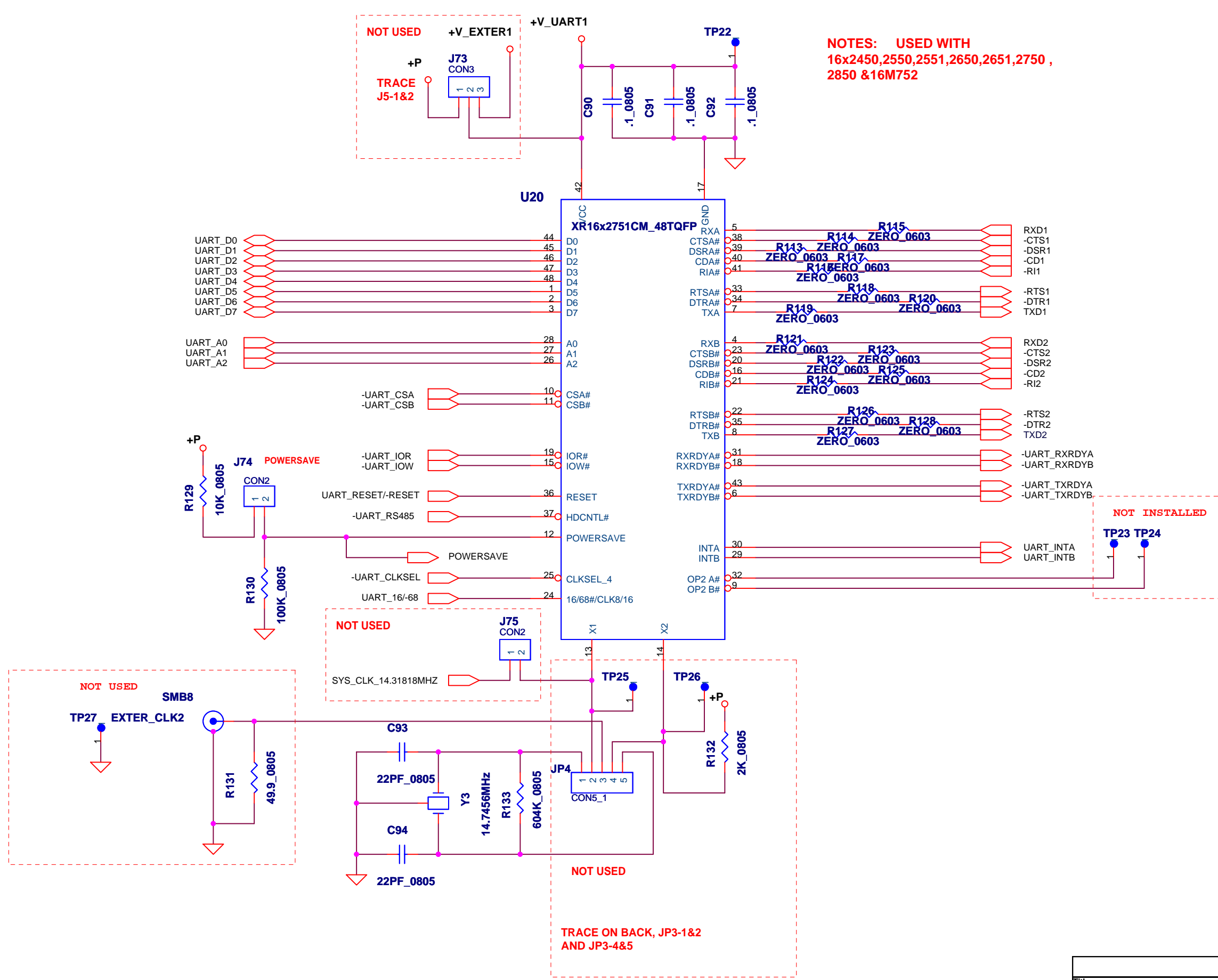
NOTES: USED WITH
16V2550,2650,2750&16M752

NOT USED
+V_UART3
+P
+V_EXTER3
TRACE
J1-1&2

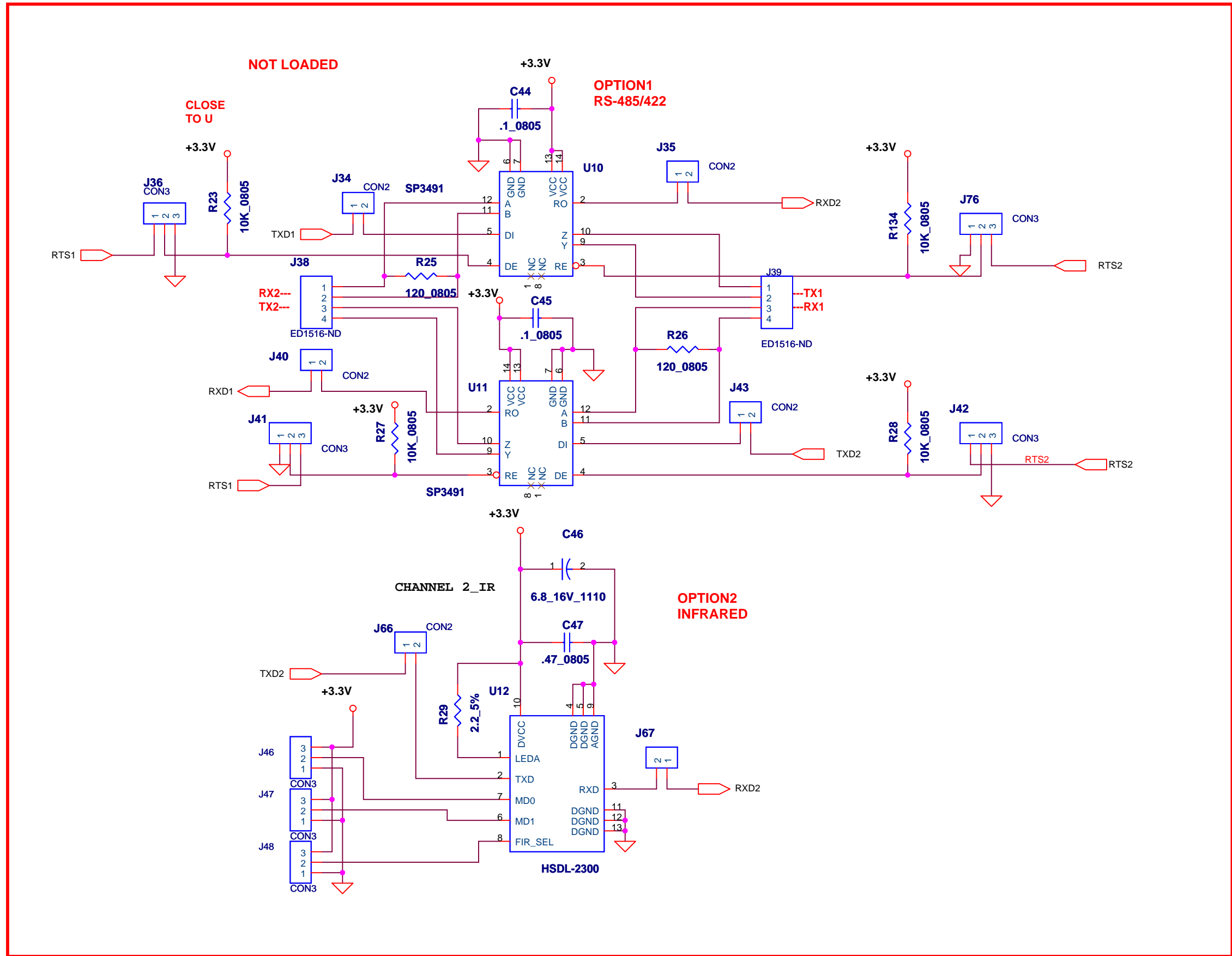
NOT USED
TRACE
J2-1&2

NOT USED
SMB6
EXTER_CLK4
NOT USED
SYS_CLK_14.31818MHZ
NOT USED
TRACE
JP1-1&2,JP1-4&5

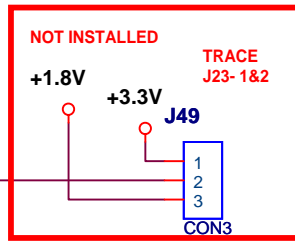
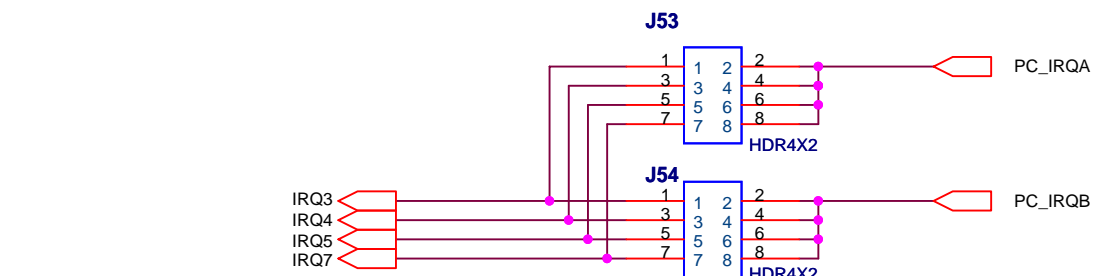
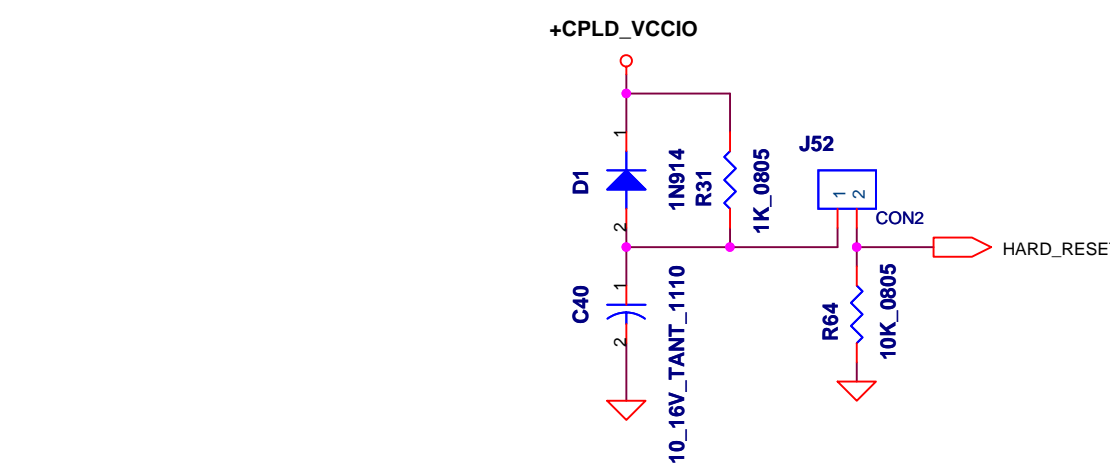
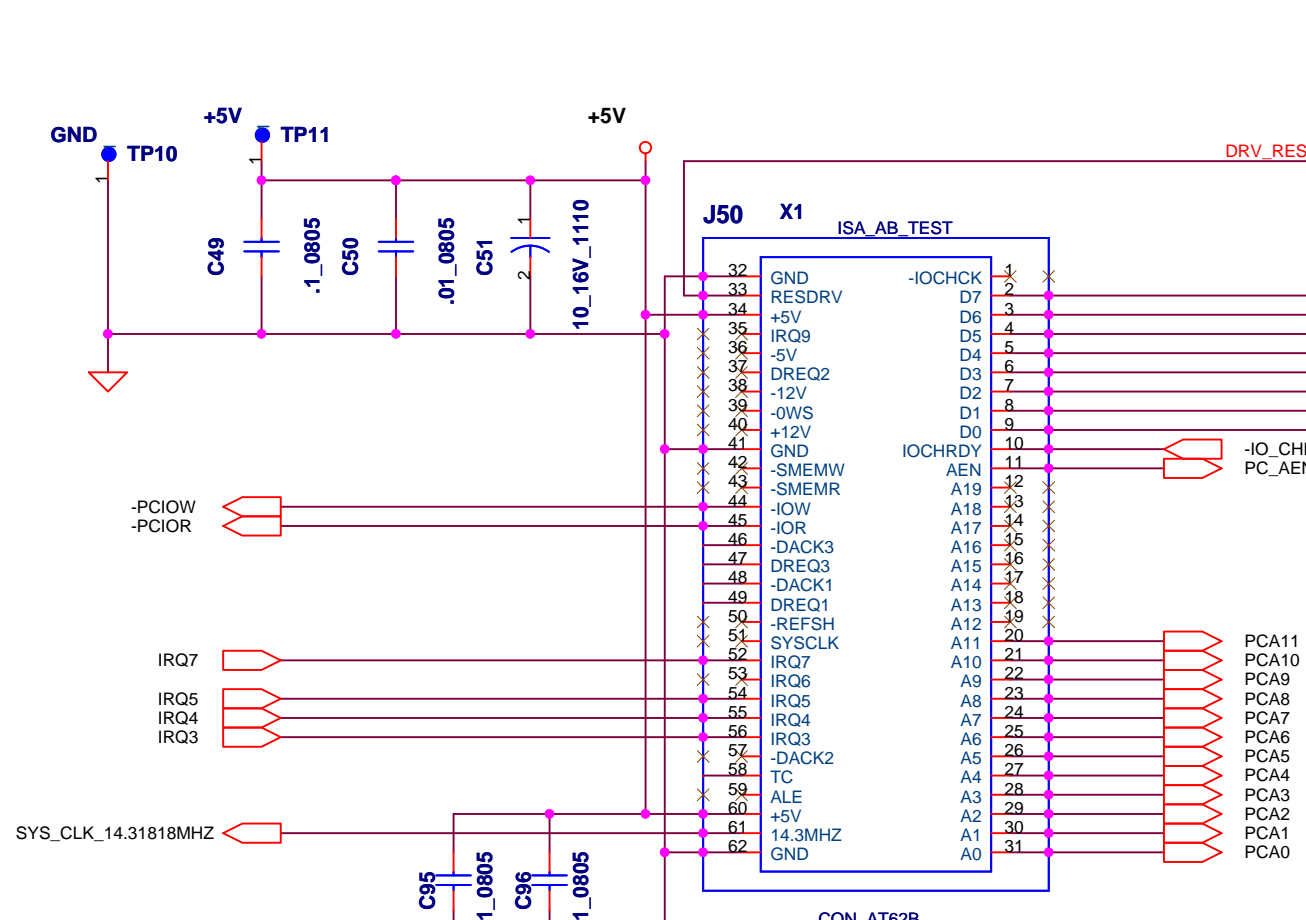
Title		
XR16x2751 EVAL BOARD		
Size	Document Number	Rev
Custom	XR16x2550/2650/2751 32QFN	2.1
Date:	Tuesday, August 14, 2007	Sheet 1 of 8



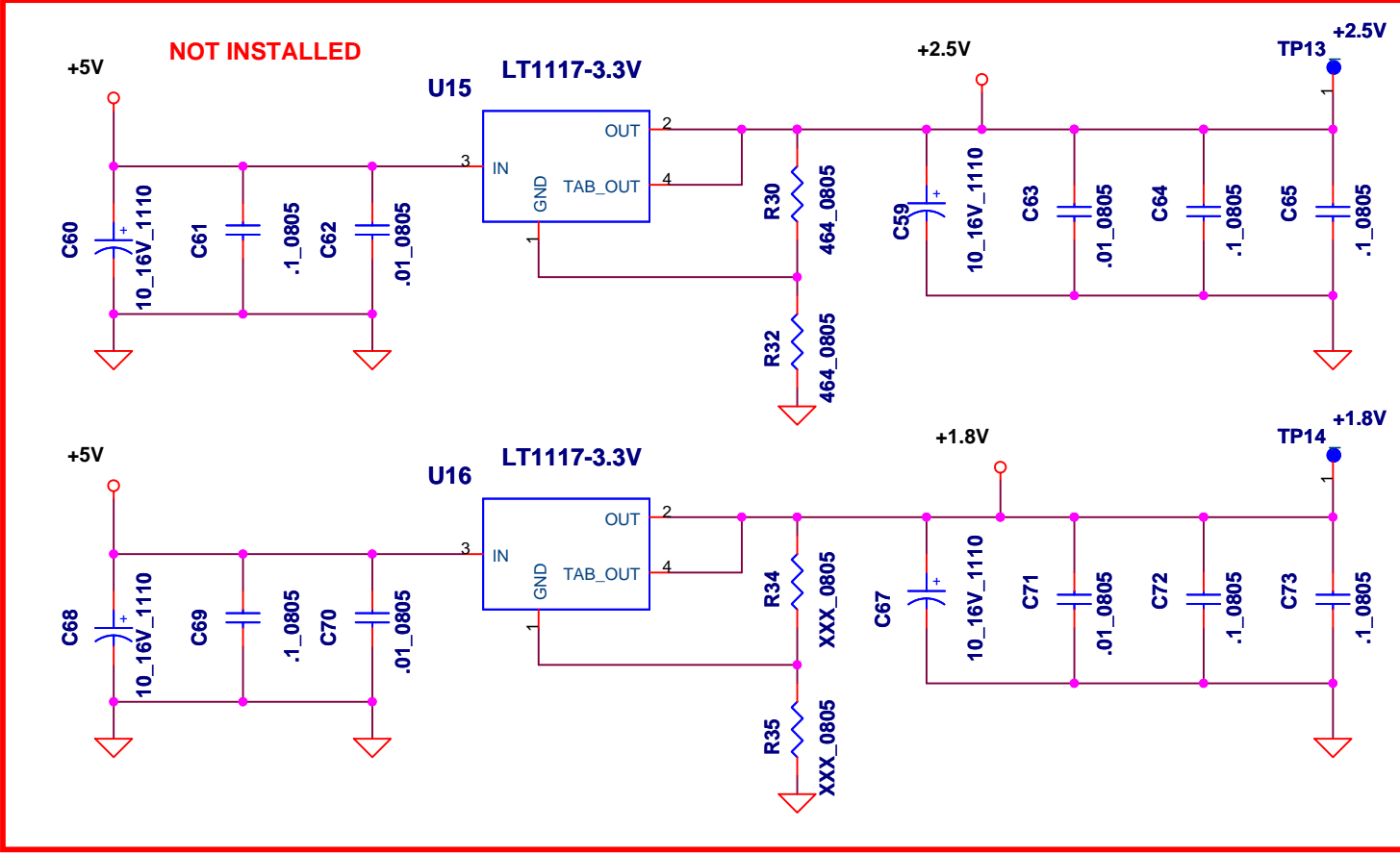
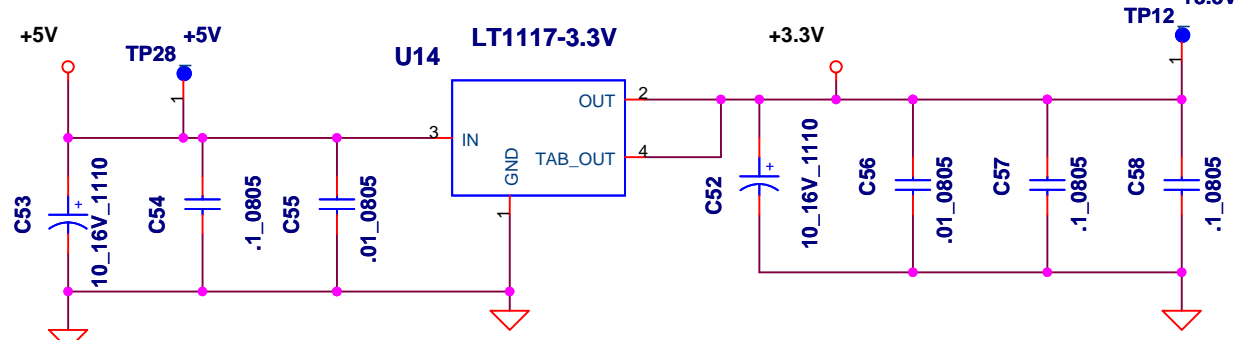
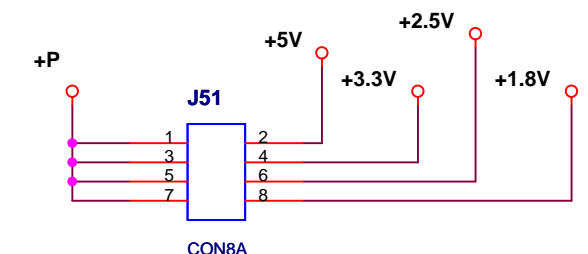
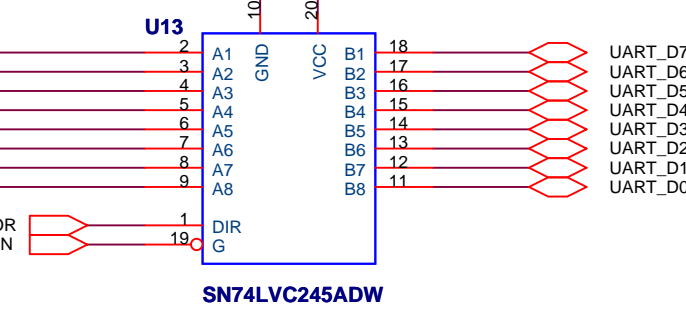
Title		
XR16x2751 EVAL BOARD		
Size	Document Number	Rev
Custom	XR16x2751	2.1
Date:	Tuesday, August 14, 2007	Sheet 3 of 8



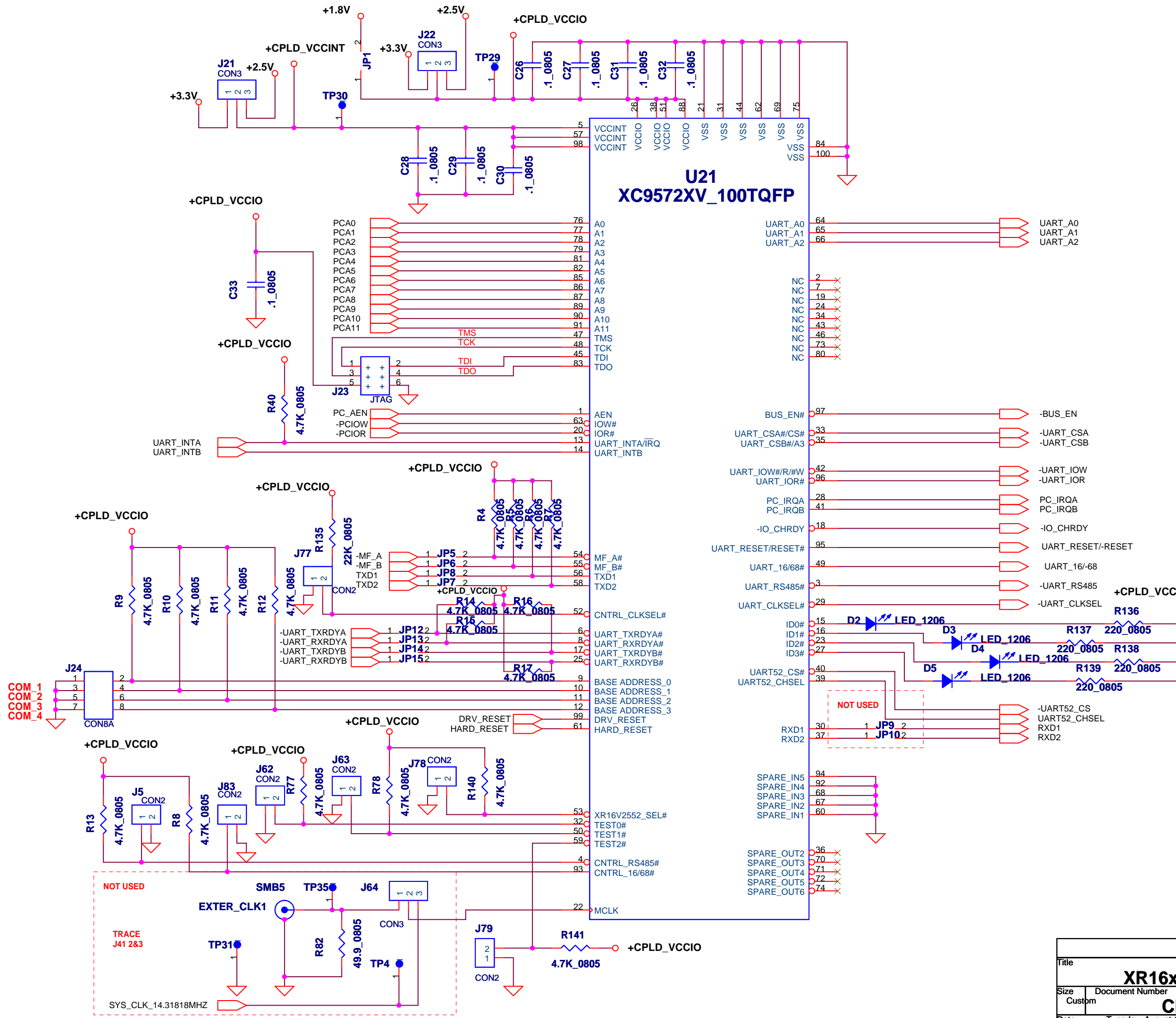
Title		
XR16V2751 EVAL BOARD		
Size	Document Number	Rev
	RS-422 485 AND IR INTERFACE2.1	
Date:	Tuesday, August 14, 2007	Sheet 4 of 8



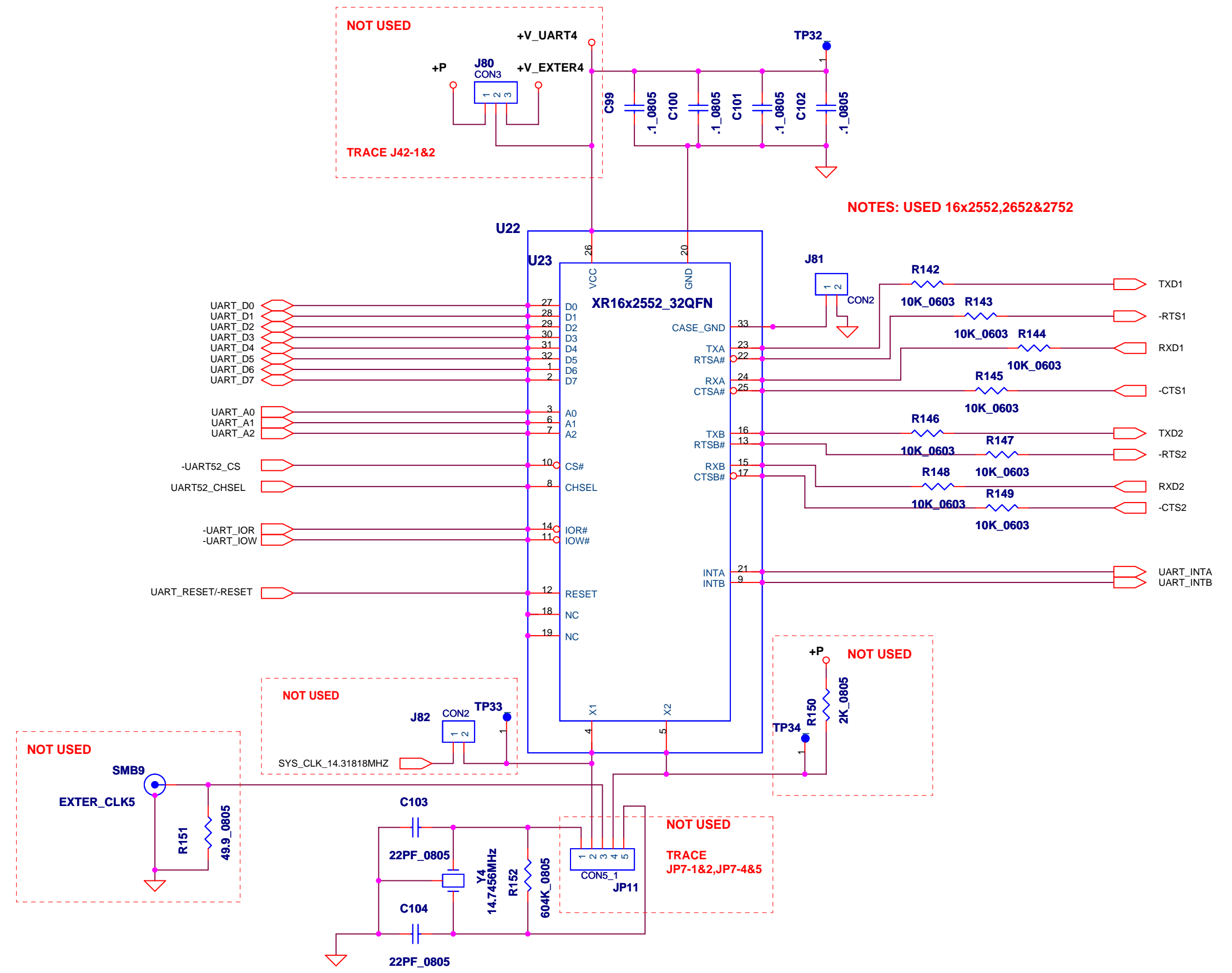
NOTES:
 U5-1@0=B0-B7 DATA TO BUS A0-A7
 U5-1@1=A0-A7 DATA TO BUS B0-B7
 U5-1@X=HIGH Z STATE ON A0-A7, B0-B7
 U5-19@0=B0-B7 DATA TO BUS A0-A7
 U5-19@1=A0-A7 DATA TO BUS B0-B7
 U5-19@X=HIGH Z STATE ON A0-A7, B0-B7



Exar		
Title		
XR16x2751 Eval Board		
Size	Document Number	Rev
Custom	ISA & POWER INTERFACE	2.1
Date:	Tuesday, August 14, 2007	Sheet 5 of 8



Title		XR16x2751 EVAL BOARD	
Size	Document Number	Rev 2.1	
Custom	CPLD INTERFACE		
Date:	Tuesday, August 14, 2007	Sheet	7 of 8



NOTES: USED 16x2552,2652&2752

NOT USED
TRACE J42-1&2

NOT USED

NOT USED

NOT USED
TRACE JP7-1&2,JP7-4&5

Title		
XR16x2751 EVAL BOARD		
Size	Document Number	Rev
Custom	XR16x2552 32QFN	2.1
Date:	Tuesday, August 14, 2007	Sheet 8 of 8