

FEATURES

- Four Full-Duplex, Independent Channels
- Asynchronous Receiver and Transmitter
- Quadruple-Buffered Receivers and Transmitters
- Programmable Stop Bits in 1/16 bit increments
- Pin Selectable "88" and "68 Mode"
- Internal Bit Rate Generators with more than 33 Bit Rates
- Independent Bit Rate Selection for each Transmitter and Receiver
- External Clock Capability
- Maximum Bit Rate: 1X clock - 1Mb/s, 16X clock - 125 kb/s
- Normal, AUTOECHO, Local LOOPBACK and Remote LOOPBACK Modes
- Two Multi-function 16-bit Counter/Timers
- Interrupt Output with Sixteen Maskable Interrupt Conditions
- Interrupt Vector Output on Acknowledge
- Programmable Interrupt Daisy Chain (Z-Mode Operation only)
- 16 General Purpose Output pins
- 16 General Purpose Input pins with Change of States Detectors on 8 Inputs
- Multi-drop Mode Compatible with 8051 Nine Bit Mode
- On-chip Oscillator for Crystal
- Standby Mode to Reduce Operating Power
- Advanced CMOS Low Power Technology

GENERAL DESCRIPTION

The EXAR Quad Universal Asynchronous Receiver and Transmitter (QUART) is a data communications device that provides four fully independent full-duplex asynchronous communication channels in a single package. The QUART is designed for use in microprocessor based systems and may be used in a polled or interrupt-driven environment.

The XR82C684 device offers a single IC solution for various microprocessor families. The "88" and "68 modes" (for the 8800 and 68000 family of processors, respectively) can be selected by tying the SEL pin to V_{DD} or V_{SS} .

The QUART is fabricated using advanced two layer metal, with a high performance density EPI/CMOS 1.8 μ process to provide high performance and low power consumption, and is packaged in a 44 pin PLCC and a 68 pin PLCC.

ORDERING INFORMATION

Part No.	Package	Operating Temperature Range
XR82C684CJ/44	44 pin PLCC	0°C to 70°C
XR82C684CJ	68 pin PLCC	0°C to 70°C
XR82C684J/44	44 pin PLCC	-40°C to 85°C
XR82C684J	68 pin PLCC	-40°C to 85°C

PRINCIPLES OF OPERATION

Figure 1 and Figure 2 present an overall block diagram of the QUART when operating in the 68 and 88 Modes, respectively. As illustrated in these block diagrams, the QUART consists of the following major functional blocks:

- Data Bus Buffer
- Interrupt Control
- Input Port
- Serial Communication Channels A, B, C, and D
- Operation Control
- Timing Control
- Output Port

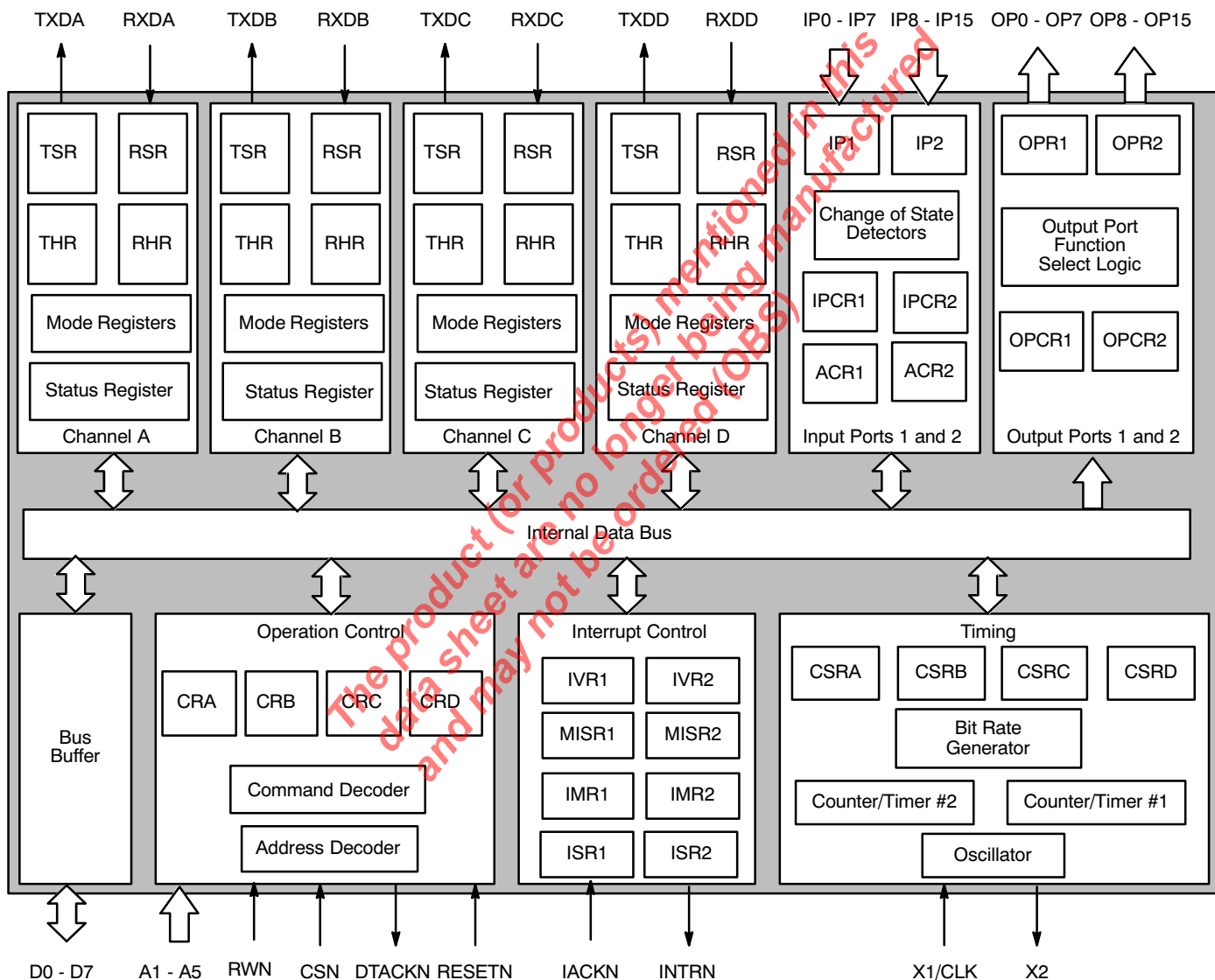


Figure 1. Block Diagram of the XR82C684 in the 68 Mode

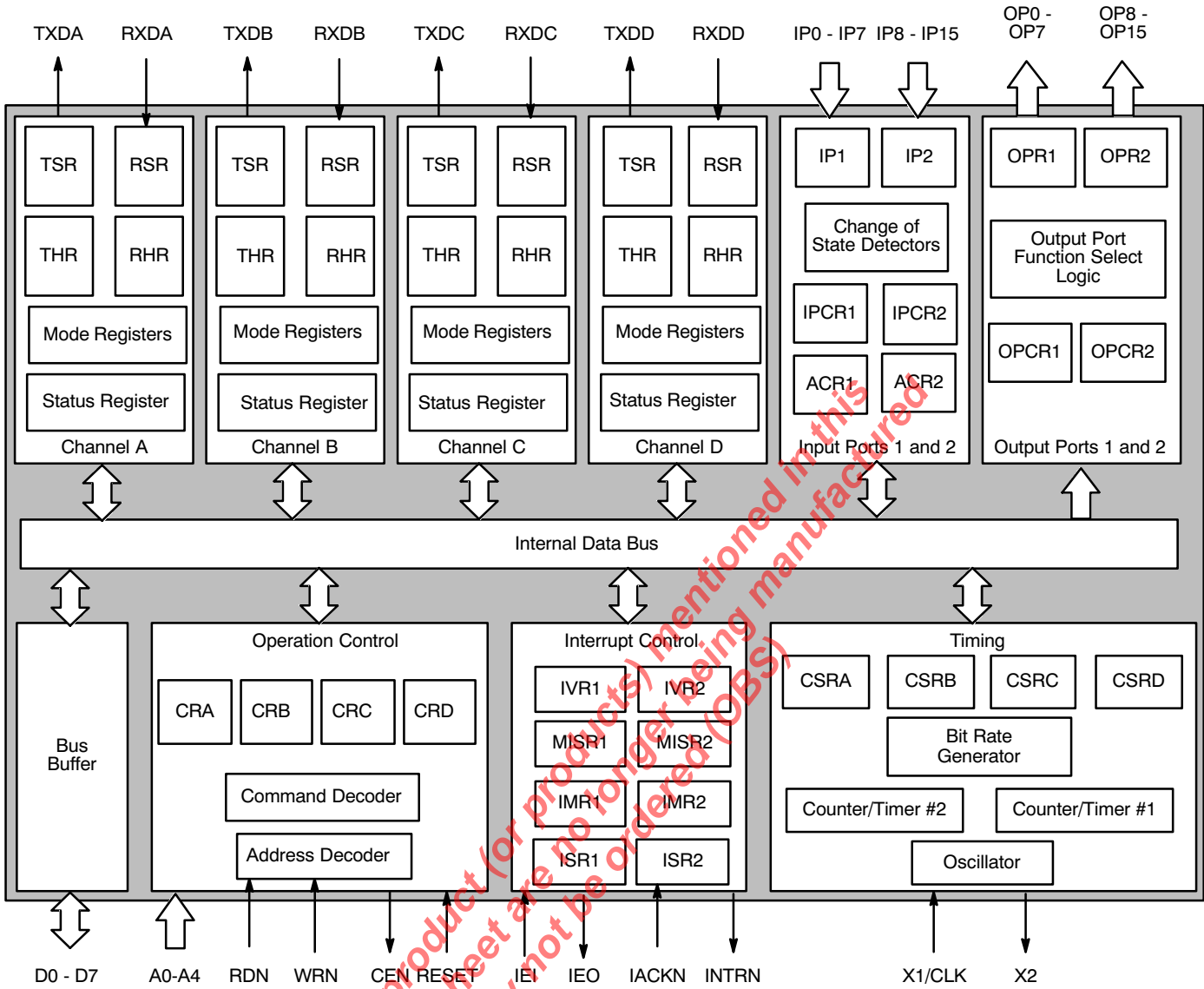
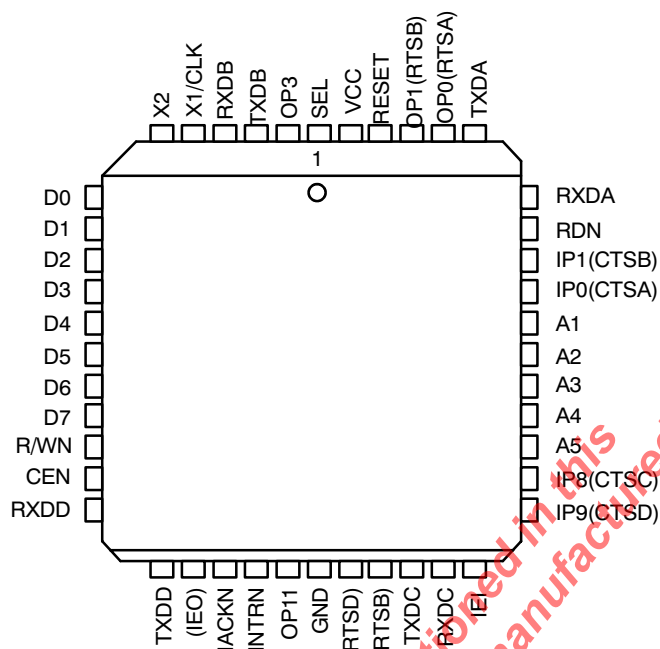
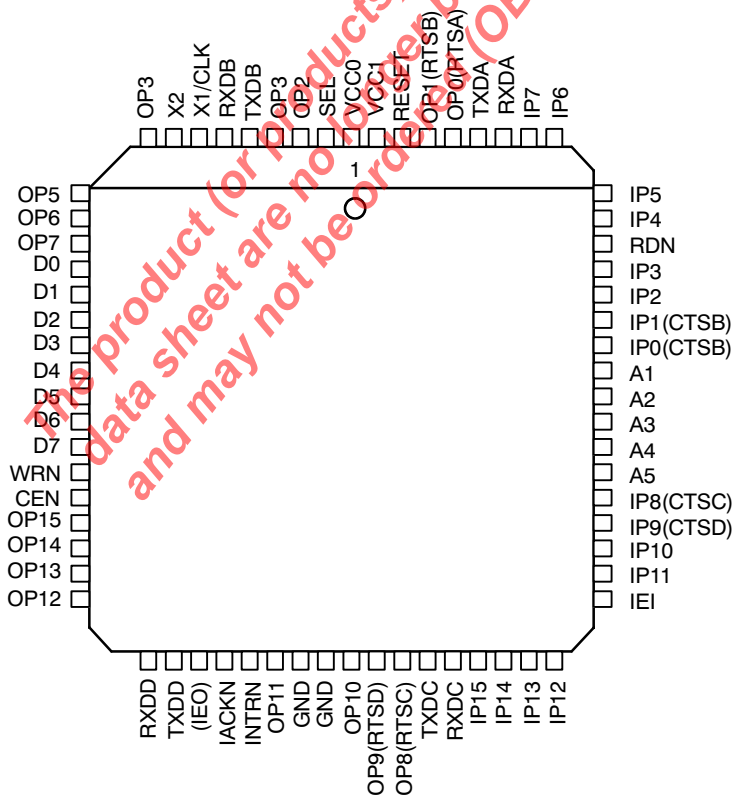


Figure 2. Block Diagram of the XR82C684 in the 88 Mode



44 Pin PLCC



68 Pin PLCC

PIN DESCRIPTION

Pin # 68 Pin PLCC	Pin # 44 Pin PLCC	Symbol	Type	Description
1		V _{CC0}		Power Supply Pin.
2	1	SEL	I	Mode Select. “88 mode” can be selected by tying this pin to GND; connecting this pin to V _{CC} will select the “68 mode.”
3		OP2 (TXCA_16X) (TXCA_1X) (RXCA_1X)	O	Output Port 2 (General Purpose Output). This pin can also be configured to function as the “Channel A Transmitter 16x or 1x clock” output, or the “Channel A Receiver 1X clock” output.
4	2	OP3 (TXCB_1X) (RXCB_1X) (C/T_1_RDY)	O	Output 3 (Active low). Can be programmed as a general purpose output, the “Channel B transmitter 1x clock” output, the “Channel B receiver 1x clock” output, or an open drain “Counter/Timer 1 ready” output.
5	3	TXDB	O	Transmitter Serial Data Output (Channel B). The least significant bit of the character is transmitted first. This output is held in the “high” (marking state) when the transmitter is idle, disabled, or when the channel is operating in the local LOOPBACK mode. If an external transmitter clock is specified, TXCB, the transmitted data is shifted out of the TSR (Transmitter Shift Register) on the falling edge of this clock.
6	4	RXDB	I	Receiver Serial Data Input (Channel B). The least significant bit of the character is received first. If the external receiver clock, RXCB, is specified, then the serial input data is sampled on the rising edge of this clock.
7	5	X1/CLK	I or O	Crystal Output or External Clock Input. This pin is the connection for one side of the crystal and a capacitor to ground when the internal oscillator is used. If the oscillator is not used, an external clock signal must be supplied at this input. In order for the XR82C684 device to function properly, the user must supply a signal with frequencies between 2.0 MHz and 8.0 MHz. This requirement can be met by either a crystal oscillator or by the external TTL-compatible clock signal.
8	6	X2	I	Crystal Input. Connection for one side of the crystal (opposite of X1/CLK). If the oscillator is used, a capacitor must also be connected from this pin to ground. This pin must be left open if an external clock is supplied at the X1/CLK pin.
9		OP4 (RXRDY/ -FFULL_A)	O	Output 4 (General Purpose Output). This output pin can also be configured to function as the active-low “Receiver-Ready/FIFO Full” indicator for Channel A (RXRDY/-FFULL_A).
10		OP5 (RXRDY/ -FFULL_B)	O	Output 5 (General Purpose Output). This output pin can be configured to function as the active-low “Receiver-Ready/FIFO Full” indicator for Channel B (RXRDY/-FFULL_B).

Pin # 68 Pin PLCC	Pin # 44 Pin PLCC	Symbol	Type	Description
11		OP6 (TXRDY_A)	O	Output 6 (General Purpose Output). This output pin can be configured to function as the active-low "Transmitter-Ready" indicator for Channel A (-TXRDY_A).
12		OP7 (TXRDY_B)	O	Output 7 (General Purpose Output). This output pin can be configured to function as the active-low "Transmitter-Ready" indicator for Channel B (-TXRDY_B).
13	7	D0	I/O	LSB of the Eight Bit Bi-Directional Data Bus. All transfers between the CPU and the QUART take place over this bus (consisting of pins D0 - D7). The bus is tri-stated when the -CS input is "high", except during an IACK cycle (in the Z-Mode).
14	8	D1	I/O	Bi-Directional Data Bus.
15	9	D2	I/O	Bi-Directional Data Bus.
16	10	D3	I/O	Bi-Directional Data Bus.
17	11	D4	I/O	Bi-Directional Data Bus.
18	12	D5	I/O	Bi-Directional Data Bus.
19	13	D6	I/O	Bi-Directional Data Bus.
20	14	D7	I/O	MSB of the Eight Bit Bi-Directional Data Bus. All transfers between the CPU and the QUART take place over this bus (consisting of pins D0 - D7). The bus is tri-stated when the -CS input is "high", except during an IACK cycle (in the Z-Mode).
21	15	R/-W (68 Mode)	I	Read/Write (Input). If this input is high while -CS is low, then the CPU is performing a READ cycle with the QUART. If this input is low, while -CS is low, then the CPU is performing a WRITE cycle with the QUART.
21	15	WRN (88 Mode)	I	Write Strobe (Active Low). A "low" on this input while -CS is also "low" writes the contents of the Data Bus into the addressed register, within the QUART. The transfer occurs on the rising edge of -WR.
22	16	-CS	I	Chip Select (Active Low). The data bus is tri-stated when -CS is high. Data transfers between the CPU and the QUART via D0 - D7 are enabled when -CS is low.
23		OP15 (-TXRDY_D)	O	Output 15 (General Purpose Output). This output port pin can be configured to function as the open-drain, active-low "Transmitter Ready" indicator for Channel D (-TXRDY_D).
24		OP14 (-TXRDY_C)	O	Output 14 (General Purpose Output). This output port pin can be configured to function as the open-drain, active-low "Transmitter Ready" indicator for Channel C (-TXRDY_C).
25		OP13 (RXRDY/ -FFULL_D)	I/O	Output 13 (General Purpose Output). This output port pin can be configured to function as the open-drain, active low "Receiver Ready" or "FIFO Full" indicator for Channel D (RXRDY/-FFULL_D).
26		OP12 (RXRDY/ -FFULL_C)	O	Output 12 (General Purpose Output). This output port pin can be configured to function as the open-drain, active-low "Receiver Ready" or "FIFO Full" indicator for Channel C (RXRDY/-FFULL_C).

Pin # 68 Pin PLCC	Pin # 44 Pin PLCC	Symbol	Type	Description
27	17	RXDD	I	Receiver Serial Data Input (Channel D). The least significant bit of the character is received first. If the external receiver clock, RXCD, is specified, then the serial input data is sampled on the rising edge of this clock.
28	18	TXDD	O	Transmitter Serial Data Output (Channel D). The least significant bit of the character is transmitted first. This output is held in the high (marking state) when the transmitter is idle, disabled, or when the channel is operating in the local LOOPBACK mode. If an external transmitter clock is specified, TXCD, the transmitted data is shifted out of the TSR (Transmitter Shift Register) on the falling the edge of this clock.
29	19	DTACKN (68 mode)	O	Data Transfer Acknowledge (Three-State, Active-Low). The QUART asserts -DTACK in order to inform the CPU that the present READ or WRITE operation is nearly complete. The 68000 Family of CPUs requires this signal from its peripheral devices in order to quickly and properly complete a READ or WRITE cycle. If the QUART asserts -DTACK during a READ operation, it indicates (to the CPU) that the requested data is on the databus. If -DTACK is asserted during an Interrupt Acknowledge cycle, the QUART is informing the CPU that the contents of the IVR (Interrupt Vector Register) are available on the data bus. If the QUART asserts the -DTACK during a WRITE cycle, it is informing the CPU that the data, on the data bus, has been latched into the data bus buffer of the QUART device.
29	19	IEO (88 mode)	O	Interrupt Enable Output (Z Mode; Active High). This output pin is normally "high". However, either one of the following two conditions can cause this output pin to be negated (toggle "low"). 1. If the IEI (Interrupt Enable Input) pin is "low". If IEO is "low" because of the IEI pin, IEO will toggle "high" once the IEI pin has toggled "high". 2. The QUART has issued an Interrupt Request to the CPU (-INTR pin is toggled "low"). If IEO is "low" because the QUART has requested an Interrupt, then IEO will remain "low", throughout the Interrupt Service Routine, until the CPU has invoked the "RESET IUS" Command.
30	20	IACKN (68 or Z-Mode)	I	Interrupt Acknowledge (Active Low). This input is the CPU's response to the interrupt request issued by the QUART device. When the CPU asserts this input, it indicates that the QUART's interrupt request is about to be serviced, and that the very next bus cycle will be an interrupt acknowledge (IACK) cycle. The QUART will respond to the CPU's interrupt acknowledge signal by placing the contents of the Interrupt Vector Register (IVR) on the data bus (D0 - D7).

Pin # 68 Pin PLCC	Pin # 44 Pin PLCC	Symbol	Type	Description
31	21	-INTRN	O	Interrupt Request Output (Active Low, Open-Drain). -INTR is asserted upon the occurrence of one or more of the chip's maskable interrupting conditions. This signal will remain asserted throughout the Interrupt Service Routine and will be negated once the condition(s) causing the Interrupt Request has been eliminated.
32	22	OP11 (TXCD_1X) (RXCD_1X) (-C/T_2_RDY)	O	Output 11 (General Purpose Output). This output port pin can also be configured to function as the "Channel D Transmitter 1X clock" output (TXCD_1X), the "Channel D Receiver 1X clock" output, or the active-low "Counter/Timer #2 Ready" Output (-C/T_2_RDY)
33	23	GND		
34		GND		
35		OP10 (TXCC_1X) (TXCC_16X) (RXCC_1X)	O	Output 10 (General Purpose Output). This output port pin can be configured to function as the "Channel C Transmitter 1X or 16X clock" output; or as the "Channel C Receiver clock" output.
36	24	OP9 (-RTSD)	O	Output 9 (General Purpose Output). This output port pin can be configured to function as the active-low, open-drain "Channel D, Request-to-Send" output (-RTSD).
37	25	OP8 (-RTSC)	O	Output 8 (General Purpose Output). This output port pin can be configured to function as the active-low, open-drain "Channel C Request-to-Send" output (-RTSC).
38	26	TXDC	O	Transmitter Serial Data Output (Channel D). The least significant bit of the character is transmitted first. This output is held in the high (marking state) when the transmitter is idle, disabled, or when the channel is operating in the local LOOPBACK mode. If an external transmitter clock is specified, TXCD, the transmitted data is shifted out of the TSR (Transmitter Shift Register) on the falling the edge of this clock.
39	27	RXDC	I	Receive Serial Data Input (Channel D). The least significant bit is received first. If external receiver clock is specified, the data is sampled on the rising edge of the clock.
40		IP15	I	Input 15 (General Purpose Input).
41		IP14 (RXCD_EX)	I	Input 14 (General Purpose Input). This input pin can also be configured to function as the external clock input for the Receiver of Channel D (RXCD_EX).
42		IP13 (TXCD_EX)	I	Input 13 (General Purpose Input). This input pin can also be configured to function as the external clock input for the Transmitter of Channel D (TXCD_EX).
43		IP12 (RXCC_EX)	I	Input 12 (General Purpose Input). This input pin can also be configured to function as the external clock input for the Receiver of Channel C (RXCC_EX).

Pin # 68 Pin PLCC	Pin # 44 Pin PLCC	Symbol	Type	Description
44	28	IEI (Z-Mode)	I	Interrupt Enable Input (Z-Mode; Active High). If this active-high input is at a logic "high", the QUART is capable of generating all non-masked Interrupt Requests to the CPU. If this input is at a logic "low", the QUART is inhibited from generating any Interrupt Requests to the CPU. Note: if the user is operating this device in the "68 Mode" or in the "88 I-Mode," then this pin should be tied to V _{CC} .
45		IP11 (TXCC_EX)	I	Input 11 (General Purpose Input). This input pin can also be configured to function as the external clock input for the Transmitter of Channel C (TXCC_EX).
46		IP10 (CT2_EX)	I	Input 10 (General Purpose Input). This input pin can be configured to function as the external clock input for Counter/Timer # 2.
47	29	IP9 (-CTSD)	I	Input 9 (General Purpose Input). This input pin can be configured to function as the active-low, "Channel D Clear-to-Send" input (-CTSD).
48	30	IP8 (-CTSC)	I	Input 8 (General Purpose Input). This input pin can be configured to function as the active-low, "Channel C Clear-to-Send" input (-CTSC).
49	31	A5	I	MSB of Address Input. This input, along with address inputs, A1 - A5 are used to select certain registers within the QUART device during read and write operations with the CPU.
50	32	A4	I	Address Input.
51	33	A3	I	Address Input.
52	34	A2	I	Address Input.
53	35	A1	I	LSB of Address Input.
54	36	IP0 (-CTSA)	I	Input 0 (General Purpose Input). This input can be configured to function as the active-low "Clear-to-Send" input for Channel A (-CTSA).
55	37	IP1 (-CTSB)	I	Input 1 (General Purpose Input). This input can be configured to function as the active-low "Clear-to-Send" input for Channel B (-CTSB).
56		IP2 (CT1_EX)	I	Input 2 (General Purpose Input). This input can be configured to function as the external clock input for Counter/Timer # 1.
57		IP3 (TXCA_EX)	I	Input 3 (General Purpose Input). This input can be configured to function as the external clock input for the Channel A Transmitter.
58	38	-RD (88 Mode)	I	Read Strobe ("88 Mode"; Active Low). A "low" on this input while -CS is also "low" places the contents of the addressed QUART register, on the Data Bus. Note: If the user is operating this device in the "68-Mode" then this input should be tied to V _{CC} .
59		IP4 (RXCA_EX)	I	Input 4 (General Purpose Input). This input can be configured to function as the external clock input for the Channel A Receiver.

Pin # 68 Pin PLCC	Pin # 44 Pin PLCC	Symbol	Type	Description
60		IP5 (TXCB_EX)	I	Input 5 (General Purpose Input). This input can be configured to function as the external clock input for the Channel B Transmitter.
61		IP6 (RXCB_EX)	I	Input 6 (General Purpose Input). This input can be configured to function as the external clock input for the Channel B Receiver.
62		IP7	I	Input 7 (General Purpose Input).
63	39	RXDA	I	Receive Serial Data Input (Channel A). The least significant bit of the character is received first. If external receiver clock, RXCA, is specified, the data is sampled on the rising edge of this clock.
64	40	TXDA	O	Transmitter Serial Data Output (Channel A). The least significant bit of the character is transmitted first. This output is held in the high (marking state) when the transmitter is idle, disabled, or when the channel is operating in the local LOOPBACK mode. If an external transmitter clock is specified, TXCA, the transmitted data is shifted out of the TSR (Transmitter Shift Register) on the falling the edge of this clock.
65	41	OP0 (-RTSA)	O	Output 0 (General Purpose Output). This output port pin can also be configured to function as the active-low, open-drain Request-to-Send output for Channel A (-RTSA).
66	42	OP1 (-RTSB)	O	Output 1 (General Purpose Output). This output port pin can also be configured to function as the active-low, open-drain Request-to-Send output for Channel B (-RTSB).
67	43	RESET	I	Master Reset (Active High for the “88 Mode”, and Active Low for the “68 Mode”). Asserting this input clears the following internal registers: SRn, ISRn, IMRn, OPRn, OPCRn, and initializes the IVRn to 0Fh, stops both of the Counter/Timers, puts OP0 - OP15 in the high state, and places all four serial channels in the inactive state with the TXDA, TXDB, TXDC, and TXDD output marking (high).
68	44	V _{CC1}		

DC ELECTRICAL CHARACTERISTICS 1, 2

Test Conditions: $T_A = 25^\circ\text{C}$, $V_{CC} = 5\text{V} \pm 5\%$ unless otherwise specified.

Symbol	Parameter	Min.	Typ.	Max.	Unit	Conditions
V_{IL}	Input Low Voltage	0.5		0.8	V	
V_{IH}	Input High Voltage	2.0		V_{CC}	V	
V_{IHx1}	Input High Voltage (X1/CLK)	4.0		V_{CC}	V	
V_{OL}	Output Low Voltage			0.4	V	$I_{OL} = 2.4\text{mA}$
V_{OH}	Output High Voltage	2.4			V	$I_{OH} = -400\mu\text{A}$
I_{IL}	Input Leakage Current	-25		25	μA	$V_{IN} = 0$ to V_{CC}
I_{ILSEL}	Select Pin Leakage Current	-30		30	μA	$V_{IN} = 0$ to V_{CC}
I_{X1L}	X1 Input Low Current		-20		μA	$V_{IN} = 0$
I_{X2L}	X2 Input Low Current		-7		mA	
I_{X1H}	X1 Input High Current		20		μA	$V_{IN} = V_{CC}$
I_{X2H}	X2 Input High Current		20		μA	$V_{IN} = V_{CC}$
I_{LL}	Data Bus Tri-State Leakage Current	-10		10	μA	$V_O = 0$ to V_{CC}
I_{OC}	Open Drain Output Leakage Current	-10		10	μA	$V_O = 0$ to V_{CC}
I_{CCA}	Power Supply Current ³		6	15	mA	Active Mode
I_{CCS}	Power Supply Current ³		3	10	mA	Standby Mode

Notes

- ¹ Parameters are valid over the specified temperature and operating supply ranges. Typical values are 25°C , $V_{CC} = 5\text{V}$ and typical processing parameters.
- ² All voltages are referenced to ground (GND). For testing, input signal levels are 0.4V and 2.4V with a transition time of 20ns maximum. All time measurements are referenced at input voltages of 0.8V and 2.0V as appropriate. See NO TAG.
- ³ Measured operating with a 3.6864 MHz crystal and with all outputs open.
- ⁴ The minimum high time must be at least 1.5 times the X1/CLK period and the minimum low time must be at least equal to the X1/CLK period if either channel's Receiver is operating in external 1X clock mode.

AC ELECTRICAL CHARACTERISTICS 1, 2, 3

Test Conditions: $T_A = 25^\circ\text{C}$, $V_{CC} = 5\text{V} \pm 5\%$ unless otherwise specified.

Symbol	Parameter	Min.	Typ.	Max.	Unit	Conditions
Reset Timing (See Figure 56)						
tRES	RESET Pulse Width	1.0			•s	
XR82C684 Read and Write Cycle Timing - 88 Mode (Figure 57)⁷						
tAS	A0-A4 Setup Time to RD, WR Low	10			ns	
tAH	A0-A4 Hold Time from RD, WR Low	0			ns	
tCS	-CS Setup Time to RD, WR Low	0			ns	
tCH	-CS Hold Time from -RD, -WR High	0			ns	
tRW	-RD, -WR Pulse Width	225			ns	
tDD	Data Valid from -RD Low		60	175	ns	
tDF	Data Bus Floating from -RD High	10		100	ns	
tDS	Data Setup Time to -WR High	100			ns	
tDH	Data Hold Time from -WR High	5			ns	
tRWD	High Time between Reads and/or Writes ^{8,9}		100		ns	
Z-Mode Interrupt Cycle Timing (Figure 58)						
tDIO	IEO Delay Time from IEI			100	ns	
tIAS	IACK Setup Time to RD Low ¹⁰		Note 10		ns	
tIAH	IACK Hold Time from RD High		0		ns	
tEIS	IEI Setup Time to RD Low		50		ns	
tEOD	IEO Delay Time from INTR Low			100	ns	
XR82C684 Read, Write and Interrupt Cycle Timing -68 Mode (Figure 59, Figure 60 and Figure 61)						
tAS	A1-A5 Setup Time to -CS Low	10			ns	
tAH	A1-A5 Hold Time from -CS High	0			ns	
tRWS	R/-W Setup Time to -CS Low	0			ns	
tRWH	R/-W Setup Time from -CS High	0			ns	
tCSW	-CS High Pulse Width ^{9,11}	90			ns	
tCSD	-CS or -IACK High from -DTACK Low	20			ns	
tDD	Data Valid from -CS or -IACK Low			175	ns	
tDF	Data Bus Floating from -CS or -IACK High	10		100	ns	
tDS	Data Setup Time to -CS Low	0			ns	
tDH	Data Hold Time from -CS Low	125			ns	
tDAL	-DTACK Low from Read Data Valid	0			ns	

AC ELECTRICAL CHARACTERISTICS 1, 2, 3 (CONT'D)

Symbol	Parameter	Min.	Typ.	Max.	Unit	Conditions
XR82C684 Read, Write and Interrupt Cycle Timing -68 Mode (Figure 59, Figure 60 and Figure 61) (Cont'd)						
t_{DAH}	-DTACK High from -CS or -IACK High			100	ns	
t_{DAT}	-DTACK High Impedance from -CS or -IACK High			125	ns	
Port Timing - XR82C684 (Figure 62) ⁷						
t_{PS}	Port Input Setup Time to -RD/-CS Low	0			ns	
t_{PH}	Port Input Hold Time from -RD/-CS High	0			ns	
t_{PD}	Port Output Valid from -WR/-CS High			400	ns	
Interrupt Output Timing - XR82C684 (Figure 63)						
t_{IR}	-INTR or OP3 - OP7 when used as Interrupts High from: Clear of Interrupts Status Bits in ISR or IPCR Clear of Interrupt Mask in IMR			300 300	ns ns	
Clock Timing (Figure 64)						
t_{CLK}	X1/CLK (External) High or Low Time	100			ns	
t_{CLK}	X1/CLK Crystal or External Frequency	2.0	3.684	7.372	MHz	
t_{CTC}	Counter/Timer External Clock High or Low Time (IP2)	100			ns	
t_{CTC}	Counter/Timer External Clock Frequency	0		7.372	MHz	
t_{RTX}	RXCn and TXCn (External) High or Low Time ⁹	220			ns	
f_{RTX}	RXCn and TXCn (External) Frequency	0		16.0	MHz	
	16X	0		1.0	MHz	
	1X	0		1.0	MHz	
Transmitter Timing (Figure 65)						
t_{TXD}	TXD Output Delay - TXC (External) Low			350	ns	
t_{TCS}	TXD Output Delay - TXC (Internal)			150	ns	

AC ELECTRICAL CHARACTERISTICS ^{1, 2, 3} (CONT'D)

Symbol	Parameter	Min.	Typ.	Max.	Unit	Conditions
Receiver Timing XR82C684 (Figure 66)						
t_{RXS}	RXD Data Setup Time to RXC (External) High	240			ns	
t_{RXH}	RXD Data Hold Time from RXC (External) High	200			ns	

Notes

- ¹ Parameters are valid over the specified temperature and operating supply ranges. Typical values are 25°C, $V_{CC} = 5V$ and typical processing parameters.
- ² All voltages are referenced to ground (GND). For testing, input signal levels are 0.4V and 2.4V with a transition time of 20 ns maximum. All time measurements are referenced at input voltages of 0.8V and 2.0V as appropriate. See Figure 50.
- ³ AC test conditions for outputs: $CL = 50$ pF, $RL = 2.7$ kohm to V_{CC} .
- ⁴ If -CS is used as the strobing input, this parameter defines the minimum high time between -CSs.
- ⁵ Consecutive write operations to the same register require at least three edges of the X1 clock between writes.
- ⁶ This specification imposes a 6 MHz maximum 68000 clock frequency if a read or write cycle follows immediately after the previous read or write cycle. A higher 68000 clock can be used if this is not the case.
- ⁷ This specification imposes a lower bound on -CS and -IACK low, guaranteeing that they will be low for at least one CLK period.
- ⁸ This parameter is specified only to insure that -DTACK is asserted with respect to the rising edge of X1/CLK as shown in the timing diagram, not to guarantee operation of the part. If the specified setup time is violated, -DTACK may be asserted as shown or may be asserted one clock cycle later.
- ⁹ The minimum high time must be at least 1.5 times the X1/CLK period and the minimum low time must be at least equal to the X1/CLK period if either channel's Receiver is operating in external 1X clock mode.

ABSOLUTE MAXIMUM RATINGS¹

DC Supply Voltage 7V
Storage Temperature -65°C to 150°C
All Voltages with respect to Ground ²	... -0.5V to +7V

Notes

- ¹ Stresses above those listed under the Absolute Maximum Ratings may cause permanent damage to the device. This is a stress rating only, and functional operation of the device at these or any other conditions above those indicated in the "Electrical Characteristics" section of this specification is not implied. Exposure to absolute maximum rating conditions for extended periods may affect device reliability.

SYSTEM DESCRIPTION

The XR82C684 consists of four independent, full-duplex communication channels; each consisting of their own Transmitter and Receiver. Each channel of the QUART may be independently programmed for operating mode and data format. The QUART can interface to a wide range of processors with a minimal amount of components. The operating speed of each receiver and transmitter may be selected from one of 33 internally generated fixed bit rates, from a clock derived from an internal counter/timer, or from an externally supplied 1x or 16x clock. The bit rate generator (the source of the 33 different fixed bit rates) can operate directly from a crystal connected across two pins or from an external clock. The ability to independently program the operating speed of the receiver and transmitter of each channel makes the QUART attractive for split speed channel applications such as clustered terminal systems.

Receiver and transmitter data are both quadrupled buffered via on-chip FIFOs in order to minimize the risk of receiver overrun and to reduce overhead in interrupt driven applications. The QUART also provides a flow control capability to inhibit transmission from a remote device when the buffer of the receiving QUART is full, thus preventing loss of data.

The QUART also provides two general-purpose 16-bit counter/timer (which may also be used as programmable bit rate generators), a 16 bit multi-purpose input port pins and an 16 bit multi-purpose output port pins.

A. DATA BUS BUFFER

The data bus buffer provides the interface between the internal (within the chip) and external data buses. It is controlled by the operation control block to allow data transfers to take place between the host CPU and the QUART.

B. OPERATION CONTROL BLOCK

The control logic of the Operation Control block receives operating commands from the CPU and generates the proper signals to the various sections of the QUART. The Operation Control Block functions as the user interface to the rest of the device. Specifically, it is responsible for QUART Register Address Decoding, and Command Decoding. Therefore all commands to set baud rates, parity, other communication protocol parameters, start or stop the Counter/Timer or reading a "status register" to monitor data communication performance must go through the Operation Control Block.

The Operation Control Block will control QUART performance based upon the following input signals, depending upon whether it is operation in the "68" or "88 Mode":

68 Mode	88 Mode
Address Inputs, A1 - A5	Address Inputs, A0 - A4
-RW	-RD
-CS	-WR
RESET	-CS
	RESET

The "68 Mode" QUART also includes a data transfer acknowledge (-DTACK) output which is asserted during read and write cycles in order to inform the CPU that the requested operation has been completed. An asserted -DTACK signal indicates that the input data has been latched during a write cycle, that the requested data is on the data bus during a read cycle, or that the interrupt vector is on the data bus during an interrupt acknowledge cycle.

When interfacing the QUART to a 6800 family processor, the QUART should be configured to operate in the "88 Mode". Additionally, the QUART will require some glue logic in order to properly interface to a 6800 Family processor. *Figure 3* presents a schematic of the appropriate glue logic circuitry.

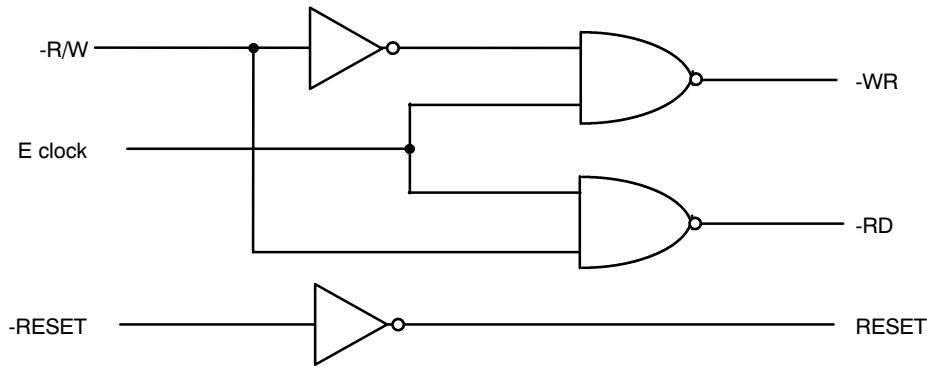


Figure 3. External Logic Circuitry Required To Interface a 6800 Family Processor to an "88-Mode" XR82C684 Device

B.1 Quart Register Addressing

The addressing of the internal registers of the QUART is presented in Table 1. Please note that some of the registers are "Read Only" and others are "Write Only". Each channel is provided with the following dedicated (addressable) registers.

- Command Registers
- Mode Registers (MR1 and MR2)
- Status Registers
- Clock Select Registers
- Receiver Holding Register (RHR) and Transmit Holding Register (THR)

Additionally, the QUART contains the following registers that support/control channel pairs.

- Interrupt Status Register 1 (Channels A & B)
- Interrupt Status Register 2 (Channels C & D)
- Interrupt Mask Register 1 (Channels A & B)
- Interrupt Mask Register 2 (Channels C & D)
- Masked Interrupt Status Register 1 (Channels A & B)

- Masked Interrupt Status Register 2 (Channels C & D)
- Interrupt Vector Register 1 (Channels A & B)
- Interrupt Vector Register 2 (Channels C & D)
- Auxiliary Control Register 1 (Channels A & B)
- Auxiliary Control Register 2 (Channels C & D)

And finally, the QUART also contains other registers that support functions other than serial data communication, such as the parallel ports and the Counters/Timers.

- OPCR1 - Output Port Control Register 1
- OPCR2 - Output Port Control Register 2
- IPCR1 - Input Port Configuration Register 1
- IPCR2 - Input Port Configuration Register 2
- CTUR1 - Counter/Timer Upper Byte Register 1
- CTUR2 - Counter/Timer Upper Byte Register 2
- CTLR1 - Counter/Timer Lower Byte Register 1
- CTLR2 - Counter/Timer Lower Byte Register 2

Address (Hex)	Read Mode Registers		Write Mode Registers	
	Register Name	Symbol	Register Name	Symbol
00	Mode Register, Channel A	MR1A, MR2A	Mode Register, Channel A	MR1A, MR2A
01	Status Register, Channel A	SRA	Clock Select Register, Channel A	CSRA
02	Masked Interrupt Status Register 1	MISR1	Command Register A	CRA
03	Rx Holding Register, Channel A	RHRA	Tx Holding Register, Channel A	THRA
04	Input Port Change Register 1	IPCR1	Auxiliary Control Register 1	ACR1
05	Interrupt Status Register 1	ISR1	Interrupt Mask Register 1	IMR1
06	Counter/Timer Upper Byte Register 1	CTU1	Counter/Timer Upper Byte Register 1	CTU1
07	Counter/Timer Lower Byte Register 1	CTL1	Counter/Timer Lower Byte Register 1	CTL1
08	Mode Register, Channel B	MR1B, MR2B	Mode Register, Channel B	MR1B, MR2B
09	Status Register, Channel B	SRB	Clock Select Register, Channel B	CSRB
0A	RESERVED	-	Command Register, Channel B	CRB
0B	Rx Holding Register, Channel B	RHRB	Tx Holding Register, Channel B	THRB
0C	Interrupt Vector Register	IVR1	Interrupt Vector Register 1	IVR1
0D	Input Port	IP1	Output Port Configuration Register (OP0 - OP7)	OPCR1
0E	Start Counter/Timer 1 Command	SCC1	Set Output Port Bits 1 Command	SOPBC1
0F	Stop Counter/Timer 1 Command	STC1	Clear Output Port Bits 1 Command	COPBC1
10	Mode Register C	MR1C, MR2C	Mode Register C	MR1C, MR2C
11	Status Register C	SRC	Clock Select Register C	CSRC
12	Masked Interrupt Status Register 2	MISR2	Command Register C	CRC
13	Rx Holding Register C	RHRC	Tx Holding Register C	THRC
14	Input Port Change Register 2	IPCR2	Auxiliary Control Register 2	ACR2
15	Interrupt Status Register 2	ISR2	Interrupt Mask Register 2	IMR2
16	Counter/Timer 2, Upper Byte Register	CTU2	Counter/Timer 2, Upper Byte Register	CTU2
17	Counter/Timer 2, Lower Byte Register	CTL2	Counter/Timer 2, Lower Byte Register	CTL2
18	Mode Register D	MR1D, MR2D	Mode Register D	MR1D, MR2D
19	Status Register D	SRD	Status Register D	SRD
1A	RESERVED	-	Command Register D	CRD
1B	Rx Holding Register D	RHRD	Tx Holding Register D	THRD
1C	Interrupt Vector Register 2	IVR2	Interrupt Vector Register 2	IVR2
1D	Input Port 2	IP2	Output Port Configuration Register 2 (OP8 - OP15)	OPCR2
1E	Start Counter/Timer 2 Command	SCC2	Set Output Port Bits 2 Command	SOPBC2
1F	Stop Counter/Timer 2 Command	STC2	Clear Output Port Bits 2 Command	COPBC2

Note: The shaded blocks are not Read/Write registers but are rather "Address-Triggered" Commands.

Table 1. Quart Port And Register Addressing

Table 1 indicates that each channel is equipped with two Mode Registers. Associated with each of these Mode Register pairs is a “Mode Register” pointer or MR pointer. Upon chip/system power up or RESET each MR pointer is “pointing to” the channel MR1n register. (Please note that the suffix “n” is used at the end of many of the QUART registers symbols in order to refer, generically, to any one of the four channels). However, the contents of the MR pointer will shift from the address of the MR1n register to that of the MR2n register, immediately following any Read or Write access to the MR1n register. The MR pointer will continue to “point to” the MR2n register until a hardware reset occurs or until a “RESET MR POINTER” command has been invoked. The “RESET MR POINTER”

command can be issued by writing the appropriate data to the appropriate channel’s Command Register. Therefore, both Mode Registers, within a given channel, have the same logical address. The features and functions of the QUART that are controlled by the Mode Registers are discussed in detail in Section G.3.

B.2 Command Decoding

Each channel is equipped with a Command Register. In general, the role of these Command Registers are to enable/disable the Transmitter, enable/disable the Receiver, along with facilitating a series of other miscellaneous channel and chip related commands. The bit format for each Command Register is presented below.

CRA, CRB, CRC, CRD

Bit 7	Bit 6	Bit 5	Bit 4	Bit 3	Bit 2	Bit 1	Bit 0
Miscellaneous Commands				Enable/Disable Receiver		Enable/Disable Transmitter	
See Following Text				00 = No Change 01 = Enable Rx 10 = Disable Rx 11 = Not valid (do not use)		00 = No Change 01 = Enable Tx 10 = Disable Tx 11 = Not Valid (Do not use)	

The function of the lower nibble of the Command Registers is fairly straight-forward. This nibble is used to either enable or disable the Transmitter and/or Receiver. The upper nibble of the Command Register is used to invoke a series of miscellaneous commands. Table 2

defines the commands associated with the upper nibble of the Command Registers. Please note that the upper nibble commands 116 through B effects only the performance of Command Register’s Channel. However, commands C and D effects system (or chip) level operation.

Bit 7	Bit 6	Bit 5	Bit 4	Description
0	0	0	0	Null Command:
0	0	0	1	Reset MRn Pointer: Causes the Channel’s MRn pointer to point to MR1n.
0	0	1	0	Reset Receiver: Reset the individual channel receiver as if a Hardware Reset has been applied. The Receiver is disabled and the FIFO is flushed.
0	0	1	1	Reset Transmitter: Resets the individual channel transmitter as if a Hardware Reset had been applied. The TXDn output is forced to a high level.
0	1	0	0	Reset Error Status: Clears the Received Break (RB), Parity Error (PE), Framing Error (FE) and Overrun Error (OE) status bits, SR[7:3]. Specifically, if the Error Mode, for a particular channel is set at “Block” Error Mode, this command will reset all of the Receiver Error Indicators in the Status Register. In the Block Error Mode, once either a PE, FE, OE, or RB occurs, the error will continue to be flagged in the Status Register, until this command is issued. If the Error Mode, for a particular channel is set to “Character Error Mode”, then the contents of the Status Register for PE, FE, and RB are reflected on a character by character basis. In the “Character Error Mode”, the state of these indicators is based only upon the character that is at the top of the RHR. Note: The OE indicator is always presented as a “Block Error Mode” indicator, and requires this command to be reset.
0	1	0	1	Reset Break Change Interrupt: Clears the channel’s break change interrupt status bit, within the appropriate Interrupt Status Register.

Bit 7	Bit 6	Bit 5	Bit 4	Description
0	1	1	0	Start Break: Forces the TXDn output low. The transmitter must be enabled to start a break. If the transmitter is empty, the start of the break may be delayed up to two bit times. If the transmitter is active, the break begins when the transmission of those characters in the THR is completed, viz., TXEMP must be true before the break will begin.
0	1	1	1	Stop Break: The TXDn line will go high within two bit times. TXDn will remain high for one bit time before the next character, if any, is transmitted.
1	0	0	0	Set Rx BRG Select Extend Bit: Sets the channel's "Receiver BRG Select Extend Bit" to 1.
1	0	0	1	Clear Rx BRG Select Extend Bit: Clears the channel's "Receiver BRG Select Extend Bit" to 0.
1	0	1	0	Set Tx BRG Select Extend Bit: Sets the channel's "Transmitter BRG Select Extend Bit" to 1.
1	0	1	1	Clear Tx BRG Select Extend Bit: Clears the channel's "Transmitter BRG Select Extend Bit" to 0.
1	1	0	0	Set Standby Mode (Channel A): When this command is invoked via the Channel A Command Register, power is removed from each of the transmitters, receivers, counter/timer and additional circuits to place the QUART in the standby (or lower power) mode. <i>Please note that this command effects the operation of the entire chip. Normal operation is restored by a hardware reset or by invoking the "SET ACTIVE MODE" command.</i> Reset IUS Latch (Channel B): When this command is invoked via the Channel B Command Register, and the QUART is operating in Z-mode, it causes the Interrupt-Under-Service (IUS) latch to be reset. This, in turn, will cause the IEO output to toggle "high". Select Direct System Clock (Channel C): Following a hardware RESET, and prior to invoking this command, the QUART is operating in a "Divided System Clock" mode. Specifically, this means that the oscillator clock frequency is divided by two, prior to entering the baud rate generator portion of the Timing Control Block. If the QUART operates in the "Divided Systems Clock" mode, then the baud rate achieved (for all four channels) will be one-half of that presented in <i>Table 15</i> and <i>Table 15A</i> . If the user invokes this command via the Channel C Command Register, then this "Divide-by-2" network is removed from the "timing signal" path, and the user will achieve the baud rates, specified in <i>Table 15</i> and <i>Table 15A</i> .
1	1	0	1	Set Active Mode (Channel A): When this command is invoked via the Channel A Command Register, the QUART is removed from the Standby Mode and resumes normal operation. Set Z-Mode (Channel B): When this command is invoked via the Channel B Command Register, the QUART is conditioned to operate in the Z-Mode. For a detailed discussion of the QUART's operation while in the Z-Mode, Please see <i>Section C.6.2</i> . (Available for 88 Mode only) Select Divided System Clock (Channel C): This command is the reverse of the "Select Direct Systems Clock mode" command. This command will return a "divide by 2" network into the BRG timing signal path. The effect of this command is to reduce the baud rate by one-half of that presented in <i>Table 15</i> and <i>Table 15A</i> . <i>Please note that this command effects the baud rates for all four channels of the QUART.</i>
1	1	1	0	Reserved
1	1	1	1	Reserved

Table 2. Miscellaneous Commands, Upper Nibble of All Command Registers, Unless Otherwise Specified

In addition to the commands which are available through the command registers, the QUART also offers “Address-Triggered” commands. These commands are listed in *Table 1*, “Quart Port and Register Addressing,” and are further identified by being “shaded” in this table. Specifically, these commands are:

- Start Counter/Timer 1 Command
- Stop Counter/Timer 1 Command
- Start Counter/Timer 2 Command
- Stop Counter/Timer 2 Command
- Set Output Port Bits 1 Command
- Set Output Port Bits 2 Command
- Clear Output Port Bits 1 Command
- Clear Output Port Bits 2 Command

Each command is invoked by either reading or writing data to its corresponding QUART address, as specified in *Table 1*.

For example, the Start Counter/Timer 1 Command is invoked by the procedure of reading QUART address $0E_{16}$. *Please note that this “Read Operation” will not result in placing the contents of a QUART register on the data bus. The only thing that will happen, in response to this procedure is the Counter/Timer #1 will initiate counting. For a detailed discussion into the operation of the Counter/Timers, please see Section D.2.*

Another example of an Address-Triggered commands is the “Set Output Port Bits 1” Command. This command is invoked by performing a write of data to QUART address $0E_{16}$. When the user invokes this command, he/she is setting certain bits (to “1”) within OPR1 (Output Port Register 1). All other bits, within OPR1 (not specified to be set), are not changed. The state of the output port pins,

OP0 - OP7 are complements of the individual bits within OPR1. Likewise, the state of output port pins OP8 - OP15 are complements of the individual bits with OPR2. Hence, if OPR1[0] (e.g., bit 0 within OPR1) is set to “1”, the state of the corresponding output port pin, OP0, is now set to a logic “0”. Consequently, one can think of the “Set Output Port Bits” command as the “Clear Output Port Pins” command. For a more detailed discussion into the operation of the Output Ports, please see *Section F*.

C. Interrupt Control Block

The Interrupt Control Block allows the user to apply the QUART in an “Interrupt-Driven” environment. The QUART includes an active-low, open-drain interrupt request output signal (-INTR), which may be programmed to be asserted upon the occurrence of any of the following events:

- Transmit Hold Register A, B, C, or D Ready
- Receive Hold Register A, B, C, or D Ready
- Receive FIFO A, B, C or D Full
- Start or End of Received Break in Channels A, B, C or D
- End of Counter/Timer Count Reached (for either Counter/Timer 1 or Counter/Timer 2)
- Change of State on input pins, IP0, IP1, IP2, IP3, IP8, IP9, IP10, or IP11

The Interrupt Control Block consists of two Interrupt Status Registers (ISR1 and ISR2), two Interrupt Mask Registers (IMR1 and IMR2), two Masked Interrupt Status Registers (MISR1 and MISR2) and two Interrupt Vector Registers (IVR1 and IVR2). *Table 3* lists these registers and their address location (within the QUART).

Register	Description	Address Location (in QUART Address Space)
ISR1	Interrupt Status Register 1	05_{16} (Read Only)
ISR2	Interrupt Status Register 2	15_{16} (Read Only)
IMR1	Interrupt Mask Register 1	05_{16} (Write Only)
IMR2	Interrupt Mask Register 2	15_{16} (Write Only)
MISR1	Masked Interrupt Status Register 1	02_{16} (Read Only)
MISR2	Masked Interrupt Status Register 2	12_{16} (Read Only)
IVR1	Interrupt Vector Register 1	$0C_{16}$
IVR2	Interrupt Vector Register 2	$1C_{16}$

Table 3. Listing and Brief Description of Interrupt System Registers

The role and purpose of each of these registers are defined below:

C.1 Interrupt Status Registers (ISR1 and ISR2)

The contents of the ISRs indicates the status of all potential interrupt conditions. If any bits within these registers are toggled “high”, then the corresponding

condition has or is occurring. In general, the contents of the ISR will indicate to the processor, the source or the reason for the Interrupt Request from the QUART. Therefore, any interrupt service routine for the QUART should begin by reading either these registers or the MISRs (Masked Interrupt Status Registers). The bit-format of the two ISRs are presented below:

ISR1 Register Bit Format

Bit 7	Bit 6	Bit 5	Bit 4	Bit 3	Bit 2	Bit 1	Bit 0
Input Port Change	Delta Break B	RXRDY/FFULLB	TXRDYB	Counter #1 Ready	Delta Break A	RXRDY/FFULLA	TXRDYA
0 = No 1 = Yes	0 = No 1 = Yes	0 = No 1 = Yes	0 = No 1 = Yes	0 = No 1 = Yes	0 = No 1 = Yes	0 = No 1 = Yes	0 = No 1 = Yes

ISR2 Register Bit Format

Bit 7	Bit 6	Bit 5	Bit 4	Bit 3	Bit 2	Bit 1	Bit 0
Input Port Change	Delta Break D	RXRDY/FFULL D	TXRDY D	Counter #2 Ready	Delta Break C	RXRDY/FFULL C	TXRDY C
0 = No 1 = Yes	0 = No 1 = Yes	0 = No 1 = Yes	0 = No 1 = Yes	0 = No 1 = Yes	0 = No 1 = Yes	0 = No 1 = Yes	0 = No 1 = Yes

The definition of the meaning behind each of these bits is presented below.

C.1.1 ISR1 Register - Channels A and B

ISR1[7]: Input Port Change of State:

If this bit is at a logic “1”, then a change of state was detected at Input Port pins IP0 - IP3. The user services this interrupt by reading IPCR1 (if ISR1[7] = 1). ISR1[7] is cleared when the CPU has read the Input Port Configuration Register # 1 (IPCR1). By reading IPCR1, the user will determine:

- The Input Port pin that changed state
- The final state of the monitored input ports, following the Change of State.

For a detailed description of the IPCR1, please see Section E.

Please note that in order to enable this Interrupt Condition, the user must do two things:

1. Write the appropriate data to the lower nibble of the Auxiliary Control Register, ACR1[3:0]. In this step, the user is specifying which of the four Input Pins, IP0 - IP3, should trigger an “Input Port Change” Interrupt request.
2. Write a logic “1” to IMR1[7].

ISR1[6] Delta Break Indicator - Channel B:

When this bit is set, it indicates that the Channel B receiver has detected the beginning or end of a received break (RB). This bit is cleared (or reset) when the CPU invokes a channel B “RESET BREAK CHANGE INTERRUPT” command (see Table 2). For more information into the QUART’s response to a BREAK condition, please see Section G.2.

ISR1[5] RXRDY/FFULL B - Channel B Receiver Ready or FIFO Full

The function of this bit is selected by programming MR1B[6]. If this bit field is configured to function as the Receiver Ready indicator (RXRDYB), then a “1” in this bit-field indicates that at least one character of data is in RHRB and is ready to be read by the CPU. This bit is set when a character is transferred from the receiver shift register to the RHRB and is cleared when the CPU reads the RHRB. If there are still more characters in RHRB after the read operation, the bit will be set again after RHRB is “popped”.

If this bit is configured to function as the “FIFO Full” Indicator (FFULLB), then it is set when a character is transferred from the RSR to RHRB and the transfer causes RHRB to become full. This bit is cleared when the CPU reads RHRB; and thereby “popping” the FIFO,

making room for the next character. If a character is waiting in the RSR because RHRB is full, this bit will be set again after the read operation, when that character is loaded into RHRB.

Note: *If this bit is configured to reflect the FFULLB indicator, this bit will not be set (nor will produce an interrupt request) if one or two characters are still remaining in RHRB, following data reception. Hence, it is possible that the last two characters in a string of data (being received) could be lost due to this phenomenon.*

ISR1[4] TXRDYB - Channel B Transmitter Ready

This bit is a duplicate of TXRDY B, SRB[2].

This bit, when set, indicates that THRB is empty and is ready to accept a character from the CPU. The bit is cleared when the CPU writes a new character to THRB; and is set again, when that character is transferred to the TSR. TXRDYB is set when the transmitter is initially enabled and is cleared when the transmitter is disabled. Characters loaded into THRB while the transmitter is disabled will not be transmitted.

ISR1[3] Counter #1 Ready

In the TIMER mode, C/T #1 (Counter/Timer #1) will set ISR1[3] once for each cycle of the resultant square wave (which is available at the OP3 pin). ISR1[3] will be cleared by invoking the address-triggered "STOP COUNTER 1" command. Bear in mind, that in the TIMER mode, the "STOP COUNTER" command will not stop the C/T.

In the COUNTER mode, this bit is set when counter #1 reaches the terminal count (0000) and is cleared when the counter is stopped by a "STOP COUNTER" command. When the Counter/Timer is in the COUNTER Mode, the "STOP COUNTER" command will stop the Counter/Timer. A detailed discussion on the operation of the Counter/Timers can be found in *Section D*.

ISR1[2]: Delta Break A - Channel A Change in Break

Assertion of this bit indicates that the channel A receiver has detected the beginning of or the end of a received break (RB). This bit is cleared when the CPU invokes a channel A "RESET BREAK CHANGE INTERRUPT" command. For more information into the QUART's response to a BREAK condition, please see *Section G.2*.

ISR1[1] RXRDYA/FFULL A - Channel A Receiver Ready or FIFO Full

The function of this bit is selected by programming MR1A[6]. If this bit field is configured to function as the "Receiver Ready" indicator (RXRDYA), a "1" in this bit field indicates that there is at least one character of data in RHRA, and is ready to be read by the CPU. This bit is set when a character is transferred from the RSR to RHRA and is cleared when the CPU reads (or "pops") RHRA. If there are still more characters in RHRA, following the read operation, the bit will be set again after RHRA is "popped".

If this bit is configured to function as the FIFO (RHR) full indicator (FFULLA), it is set when a character is transferred from the RSR to RHRA and the newly transferred character causes RHRA to become full. This bit is cleared when the CPU reads RHRA. If a character is waiting in the RSR because RHRA is full, this bit will be set again, following the read operation, when that character is loaded into RHRA.

Note: *If this bit is configured to reflect the FFULLA indicator, this bit will not be set (nor will produce an interrupt request) if one or two characters are still remaining in RHRA, following data reception. Hence, it is possible that the last two characters in a string of data (being received) could be lost due to this phenomenon. Therefore, the user is advised to read RHRA until empty.*

ISR1[0]: Channel A Transmitter Ready

This bit is a duplicate of TXRDY A, SRA[2].

This bit, when set, indicates that THRA is empty and is ready to accept a character from the CPU. The bit is cleared when the CPU writes a new character to THRA; and is set again, when that character is transferred to the TSR. TXRDYA is set when the transmitter is initially enabled and is cleared when the transmitter is disabled. Characters loaded into THRA while the transmitter is disabled will not be transmitted.

C.1.2 ISR2 Register - Channels C and D

ISR2[7]: Input Port Change of State:

If this bit is at a logic "1", then a change of state was detected at Input Port pins IP8 - IP11. The user services this interrupt by reading the IPCC2 (if ISR2[7] = 1). ISR2[7] is cleared when the CPU has read the Input Port Configuration Register (IPCR2). By reading the IPCC2, the user will determine:

- The individual Input Port pin that changed state

- The final state of the monitored input ports, following the Change of State.

For a detailed description of IPCR2, please see *Section E*.

Please note that in order to enable this Interrupt Condition, the user must do two things:

1. Write the appropriate data to the lower nibble of the Auxiliary Control Register, ACR2[3:0]. In this step, the user is specifying which of the four Input Pins (IP8 - IP11) should trigger an "Input Port Change" Interrupt request.
2. Write a logic "1" to IMR2[7].

ISR2[6] Delta Break Indicator - Channel D:

When this bit is set, it indicates that the Channel D receiver has detected the beginning or end of a received break (RB). This bit is cleared (or reset) when the CPU invokes a channel D "Reset Break Change Interrupt" command (see *Table 2*). For more information into the QUART's response to a break condition, please see *Section G.2*.

ISR2[5] RXRDY/FFULL D - Channel D Receiver Ready or FIFO Full

The function of this bit is selected by programming MR1D[6]. If this bit field is configured to function as the "Receiver Ready" indicator (RXRDYD), a "1" in this bit field indicates that at least one character of data is in RHRB and is ready to be read by the CPU. This bit is set when a character is transferred from the receiver shift register to RHRD and is cleared when the CPU reads the RHRD. If there are still more characters in RHRD after the read operation, the bit will be set again after RHRD is "popped".

If this bit is configured to function as the "FIFO Full" indicator (FFULLD), this bit-field is set when a character is transferred from the RSR to RHRD and the transfer causes RHRD to become full. This bit is cleared when the CPU reads RHRD; and thereby "popping" the FIFO, making room for the next character. If a character is waiting in the RSR because RHRD is full, this bit will be set again after the read operation, when that character is loaded into RHRD.

Note: If this bit is configured to reflect the FFULLD indicator, this bit will not be set (nor will produce an interrupt request) if one or two characters are still remaining in RHRD, following data reception. Hence, it is

possible that the last two characters in a string of data (being received) could be lost due to this phenomenon.

ISR2[4] TXRDYD - Channel D Transmitter Ready

This bit is a duplicate of TXRDY D, SRD[2].

This bit, when set, indicates that THRD is empty and is ready to accept a character from the CPU. The bit is cleared when the CPU writes a new character to THRD; and is set again, when that character is transferred to the TSR. TXRDYD is set when the transmitter is initially enabled and is cleared when the transmitter is disabled. Characters loaded into THRD while the transmitter is disabled will not be transmitted.

ISR2[3] Counter # 2 Ready

In the TIMER mode, C/T#2 (Counter/Timer #2) will set ISR2[3] once for each cycle of the resultant square wave (which is available at the OP11 pin). ISR2[3] will be cleared by invoking the address-triggered "Stop Counter 2" command. Bear in mind, that in the TIMER mode, the "STOP COUNTER" command will not stop the C/T.

In the COUNTER mode, this bit is set when the counter reaches the terminal count (0000) and is cleared when the counter is stopped by a "STOP COUNTER" command. When the Counter/Timer is in the COUNTER Mode, the "STOP COUNTER" command will stop the Counter/Timer. A detailed discussion on the operation of the Counter/Timer can be found in *Section D*.

ISR2[2]: Delta Break C - Channel C Change in Break

Assertion of this bit indicates that the channel C receiver has detected the beginning of or the end of a received break (RB). This bit is cleared when the CPU invokes a channel C "Reset Break Change Interrupt" command. For more information into the QUART's response to a BREAK condition, please see *Section G.2*.

ISR2[1] RXRDYA/FFULL C - Channel C Receiver Ready or FIFO Full

The function of this bit is selected by programming MR1C[6]. If this bit-field is configured to function as the "Receiver Ready" indicator (RXRDYC), a "1" in this bit-field indicates that there is at least one character of data in RHRC, and is ready to be read by the CPU. This bit is set when a character is transferred from the RSR to RHRC and is cleared when the CPU reads (or "pops") RHRC. If there are still more characters in RHRC,

following the read operation, the bit will be set again after RHRC is “popped”.

If this bit field is configured to function as the FIFO (RHR) full indicator (FFULLC), this bit-field is set when a character is transferred from the RSR to RHRC and the newly transferred character causes RHRC to become full. This bit is cleared when the CPU reads RHRC. If a character is waiting in the RSR because RHRC is full, this bit will be set again, following the read operation, when that character is loaded into RHRC.

Note: If this bit is configured to reflect the FFULLC indicator, this bit will not be set (nor will produce an interrupt request) if one or two characters are still remaining in RHRC, following data reception. Hence, it is possible that the last two characters in a string of data (being received) could be lost due to this phenomenon. Therefore, the user is advised to read RHRC until empty.

ISR2[0]: Channel C Transmitter Ready

IMR1 Bit Format

Bit 7	Bit 6	Bit 5	Bit 4	Bit 3	Bit 2	Bit 1	Bit 0
Input Port Change	Delta Break B	RXRDY/FFULLB	TXRDYB	Counter Ready	Delta Break A	RXRDY/FFULLA	TXRDYA
0 = Off 1 = On	0 = Off 1 = On	0 = Off 1 = On	0 = Off 1 = On	0 = Off 1 = On	0 = Off 1 = On	0 = Off 1 = On	0 = Off 1 = On

IMR2 Bit Format

Bit 7	Bit 6	Bit 5	Bit 4	Bit 3	Bit 2	Bit 1	Bit 0
Input Port Change	Delta Break D	RXRDY/FFULLD	TXRDY D	Counter Ready	Delta Break C	RXRDY/FFULLC	TXRDYC
0 = Off 1 = On	0 = Off 1 = On	0 = Off 1 = On	0 = Off 1 = On	0 = Off 1 = On	0 = Off 1 = On	0 = Off 1 = On	0 = Off 1 = On

If the user wishes to enable a certain interrupt, he/she should write a “1” to the bit within the IMR, corresponding to that Interrupt Condition. Likewise, to disable or mask out a certain condition causing an interrupt, the user should write a “0” to the bit location corresponding to that condition.

Please note that the IMRs are Write Only Registers, and can therefore not be read by the processor.

This bit is a duplicate of TXRDY C, SRC[2].

This bit, when set, indicates that THRC is empty and is ready to accept a character from the CPU. The bit is cleared when the CPU writes a new character to THRC; and is set again, when that character is transferred to the TSR. TXRDYC is set when the transmitter is initially enabled and is cleared when the transmitter is disabled. Characters loaded into THRC while the transmitter is disabled will not be transmitted.

C.2 Interrupt Mask Registers (IMR1 and IMR2)

The Interrupt Mask Registers are each “Write Only” registers which enables the user to select the conditions that will cause the QUART to issue an Interrupt Request to the processor. Therefore, the bit-format of the IMR is essentially the same as the ISR. However, for completeness, the Bit Format of the IMR1 and IMR2 are presented below.

C.3 Masked Interrupt Status Register (MISR1 and MISR2)

The content of the MISRn register is basically the results of ANDing the ISRn and IMRn together.

MISRn Content = [ISRn Contents]·[IMRn Contents]

One limitation of QUART Interrupt Service Routines that rely on reading the ISRs is that the bits within the ISRs can toggle “high” due to their corresponding conditions

whether or not they are enabled by the appropriate IMR. Therefore, the user, following reading the Interrupt Status Register, will have to make provisions for; and execute a “bit-by-bit” AND of the ISR and IMR contents. Since the IMRs are “Write Only” registers and cannot be read by the processor, the contents of the IMRs will have to be stored in system memory, for later recall. The additional hardware and software overhead required to support this activity can be eliminated via use of the MISRs.

C.4 Interrupt Vector Registers, IVR1 and IVR2

These registers are only used for Interrupt Vector generation when the QUART is operating in the “68 Mode” or has been commanded into the special Z-Mode (a subset of the “88-Mode”). While in one of these modes, the contents of the IVR is typically related to the starting address of the QUART’s Interrupt Service Routine. Otherwise, in the I-Mode, Interrupt Vector generation is typically performed off-chip. When the QUART is operating in the I-Mode, the IVRs can be used as general purpose read/write registers. The role of the IVRs, while the QUART is operating in the 68 or Z-Mode is presented in section C.6.

C.5 Limitations of the QUART Interrupt Structure

The Interrupt Structure offered by the QUART allows the user to program the QUART to generate interrupts in response to certain THR and RHR (FIFO) conditions; the Counter/Timer Ready condition, and to changes in the Break Condition (at the Receiver). However, aside from the “Delta Break Condition” (RB), the QUART does not generate interrupts due to Receiver problems such as Parity Error (PE), Receiver Overrun Error (OE), or Framing Error (FE). The QUART also does not offer the user to ability to configure one of the output ports to relay the occurrence of any of these adverse conditions. Therefore, unless the user is implement some sort of “Data Link Layer” error checking scheme such as CRC, the user is advised to “validate” the received data by frequently reading the Status Register; and checking for any non-zero upper-nibble values. This is especially the case if the user has set the Error Mode to “Character” (MR1n[5] = 0).

C.6 Servicing QUART Interrupts

Interrupt servicing with the XR82C684 QUART falls into two broad categories: “68 Mode” and “88 Mode.” Within the “88 Mode”, interrupt servicing can be further divided

into the I-Mode and the Z-Mode. Interrupt Servicing for each of these modes is discussed in detail below.

C.6.1 “68 Mode” Interrupt Servicing

The 68000 family of microprocessors supports vectored-interrupt processing. Specifically, during interrupt servicing, the QUART will respond to the interrupt acknowledge, from the CPU, by placing the contents of one of the IVRs (IVR1 or IVR2) on the data bus, to be read by the CPU. During normal operation, the contents of each of the IVRs are related to a locations in memory, where the appropriate interrupt service routines (for the interrupting QUART) resides.

Therefore, in vectored interrupt applications, the contents of the IVRs accomplish two things:

1. Identify the peripheral components requesting the interrupt.
2. Allow the CPU to determine the location of; and branch program control to the location, in program memory, that contains the appropriate Interrupt Service Routine for the interrupting QUART.

The advantage of using “Vectored-Interrupt” processing over “polled-interrupt” processing is significant in time-critical applications using many peripherals devices. In “polled-interrupt” processing, upon the detection of the Interrupt Request, the microprocessor will have to go through and poll each and every peripheral device in order to determine the device causing the interrupt. Only after this polling procedure is completed can the microprocessor branch program control to the appropriate interrupt service routine. The time required to poll each of these peripheral devices adds to the interrupt latency period over and above that which would occur during vectored-interrupt processing.

Consequently, during initialization of the QUART, the user will have to load each of the IVRs with a hexadecimal numbers of values between 40h through FFh, inclusively. This is the range of the values, in the 680x0’s exception vector table, that have been reserved for “User Interrupt Vector”. The memory location of the “QUART” interrupt service routines can be found by multiplying the contents of the IVR by 4. Hence, the user should take care to make sure that the Interrupt Service Routine for the interrupt conditions addressed by ISR1, starts at [Contents of IVR1]-4 in Program Memory. Likewise, the user must issue that the Interrupt Service Routine for the interrupt conditions addressed by ISR2, start at [Contents of IVR2]-4 in Program Memory.

The XR82C684, like many other 68000-series peripheral devices are designed such that the default contents of their IVR (following a RESET condition) is 0Fh. Consequently, if, during an Interrupt Acknowledge cycle (see the next section) the CPU reads the value 0Fh from

the QUART; and “Uninitialized Interrupt Vector” exception will be generated.

Figure 4 presents a simple illustration of how to interface the QUART to a 68000 processor for Interrupt Service considerations.

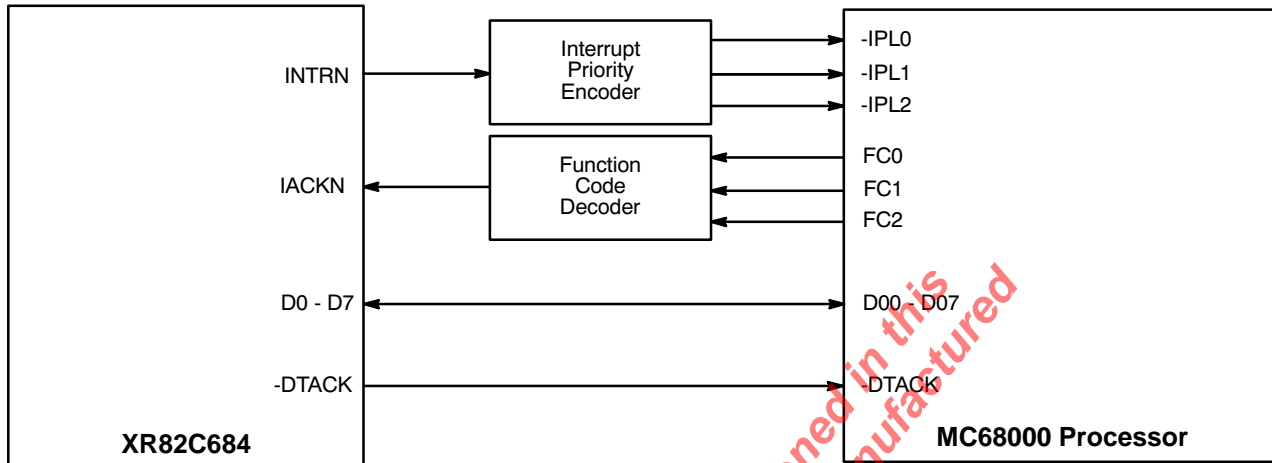


Figure 4. Simple Illustration Depicting the Interfacing of the XR82C684 QUART to a 68000 Processor

Figure 5 presents a more detailed schematic of the XR82C684 device interfacing to a 68000 microprocessor. This figure shows only the interrupt processing portion of the microprocessor/QUART interface. The address decoding circuitry for address bus bits A08 - A23 is not included. This circuit consists of an “Interrupt Priority Encoder (SN74LS148), and two 3-Line-to-8-Line Decoders (SN74LS138). For discussion purposes, one of these SN74LS138 devices are labeled “I/O Chip Select Decoder” and the other is labeled “I/O Chip Select Decoder”. In this figure, the QUART has an interrupt priority level of 4 (100₂).

interrupt priority level is 5 or greater, the QUART’s interrupt request will not be serviced until completion of all higher priority interrupts. Once the microprocessor decides to service this particular interrupt request, it will do so by asserting all of the Function Code outputs (FC2 = 1, FC1 = 1, FC0 = 1), in order to indicate that this next bus cycle will be an Interrupt Acknowledge Cycle. Additionally, whenever the 68000 CPU is interrupted, it will output on Address Bits A₀₁, A₀₂, and A₀₃, the Interrupt Priority level, while the remaining address bits A₀₄ - A₂₃ are all set to the logic one level. Therefore, the CPU will acknowledge this QUART interrupt request by setting A₀₁ = 0, A₀₂ = 0, A₀₃ = 1, and A₀₄ - A₂₃ = 1. Once all of the Function Code outputs are set, the NAND gate (74LS10) will assert one of the enable inputs of the “-IACK Decoder”. Additionally, the Address Strobe output (-AS) will soon be asserted in order to start the next bus cycle. Once it is asserted, the other enable input of the -IACK Decoder will also be asserted. When the two enable inputs are asserted, the -IACK Decoder will assert the output labeled “-IACK4, thereby asserting the -IACK input of the QUART. In parallel with the -IACK4 signal being asserted, the address bits, A₀₈ - A₂₃, are routed through an address decoder (not shown). However, if all of these address bits are at logic “1” level, the “I/O Chip Select Decoder” will also be enabled. In this figure, the output

A function description of this circuit follows. If the QUART requires service from the CPU, it will assert the active-low, open-drain, output signal, -INTR. When this signal toggles “low” the Interrupt Priority Encoder (SN74LS148) will generate the appropriate Interrupt Priority level and present this priority level to the CPU. In this case, the Interrupt Priority level is 4 (-IPL2 = 0, -IPL1 = 1, -IPL0 = 1). In response to the Priority Level 4 interrupt request, the CPU will check the Interrupt Mask bits (of its own internal Status Register) in order to determine the present interrupt priority level. If the present interrupt priority level is 4 or less; the CPU will acknowledge and begin service of this new QUART interrupt request. If the present

labeled -CS0 will be asserted, thereby asserting the -CS input of the QUART. Please note that the QUART does not require that its -CS input be asserted in order to respond to an "Interrupt Acknowledge" cycle. The QUART only requires that its -IACK input be asserted.

In response to the assertion of the -IACK input, the QUART will place the contents of one of the IVRs (Interrupt Vector Registers 1 or 2) on the data bus (D0 - D7), where it can be read by the CPU. Once the QUART has placed the contents of the appropriate IVR on the data bus, it will assert the -DTACK output in order to inform the CPU that data is ready to be read from the data bus. The CPU will then execute this "read" in a manner identical with any other read cycle. Once this "read" cycle is completed, the CPU will negate the -AS output (thereby negating the -IACK input of the QUART); and the QUART will, in turn, negate the -DTACK output to the CPU. Once the -DTACK output has been negated the Interrupt Cycle is completed, and the next several read and write cycles will likely be dedicated to servicing the QUART interrupt. If the user had properly initialized the IVRs, with values

ranging between 64 (40₁₆) and 255 (FF₁₆), the CPU will multiply this value by 4, in order to determine the location, in memory, of the QUART Interrupt Service Routine. Afterwards this address location will be loaded into the Program Counter (of the CPU) and the CPU will branch program control to this location. Obviously, the user must ensure that the appropriate interrupt service routine exists at the location in system level memory. If the user has failed to initialize the IVRs, their contents will be (by default) 0F₁₆. The 68-Mode XR82C684 device, like many other 68000 series peripherals are designed to have the default value of their Interrupt Vector Registers to be 0F₁₆. If, during the Interrupt Cycle, the CPU reads 0F from one of the QUART IVRs, the CPU will multiply this value by 4, and will branch program control to the "Uninitialized Interrupt Vector" exception service routine, located at 03C₁₆ in memory.

When the CPU has properly serviced the interrupt and the condition(s) causing the interrupt request(s) from the QUART have been eliminated, the -INTR output from the QUART will be negated.

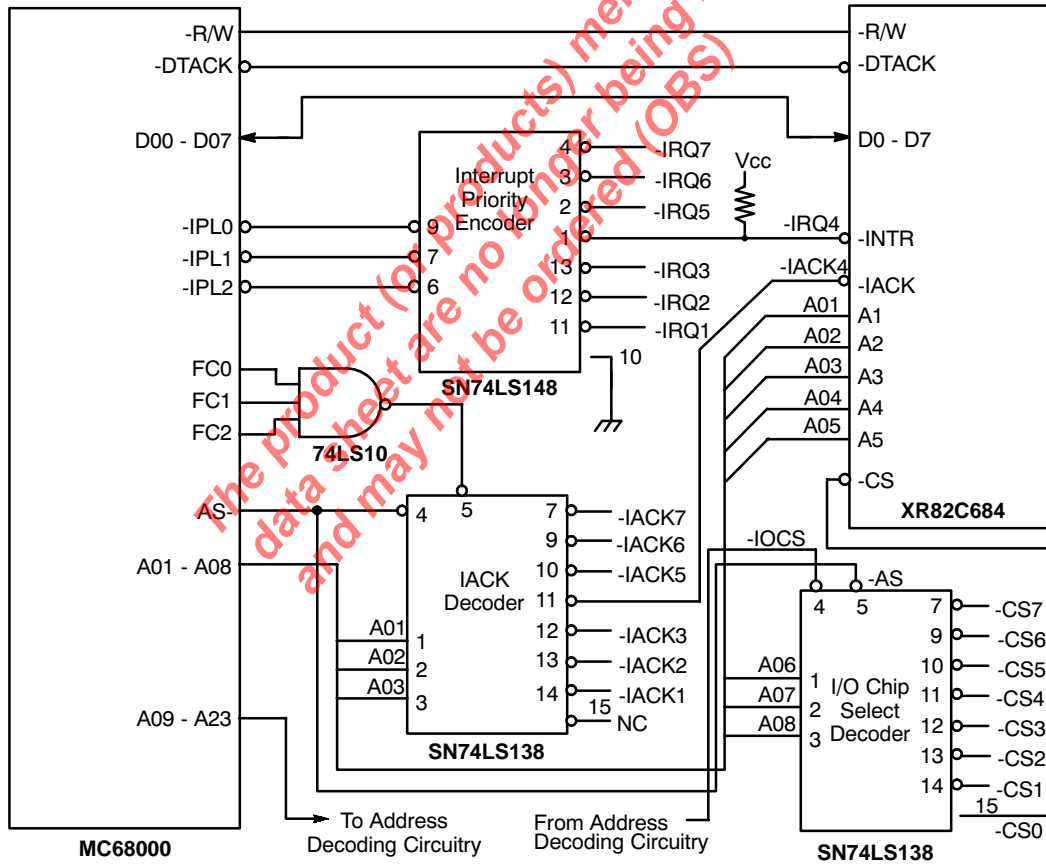


Figure 5. Detailed Schematics of the XR82C684 Interfacing to the MC68000 Processor

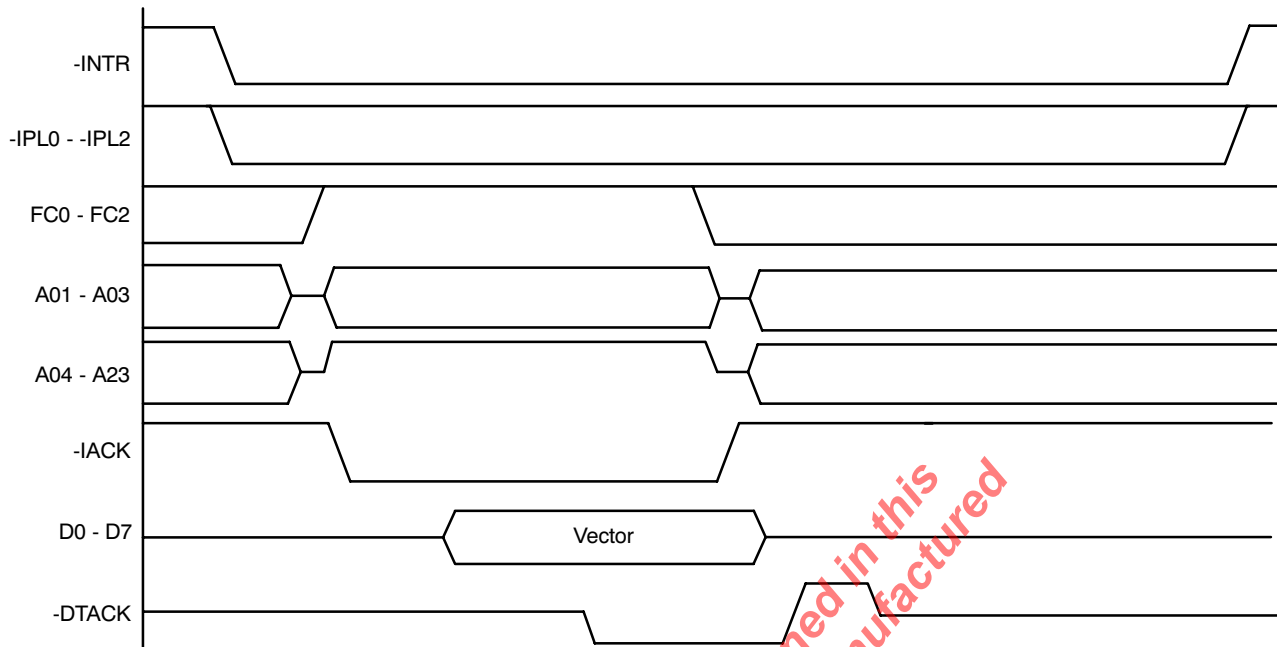


Figure 6. XR82C684/68000 CPU Interrupt Cycle Timing

Figure 6 presents a timing diagram depicting the sequence of events that will occur at the QUART/CPU interface, during an Interrupt Acknowledge Bus Cycle.

Interrupt Service Routine

The objectives of the Interrupt Service Routine are to quickly:

1. Identify the condition causing the Interrupt Request
2. Service the interrupt by eliminating the condition causing the Interrupt.

In order to identify the cause of the interrupt, the CPU must read the appropriate Interrupt Status Register (or Masked Interrupt Status Register) of the QUART. The contents of each of the ISRs identifies the condition(s) causing the Interrupt Request. *Section C.1* defines the bit format of the ISRs and discusses how to clear each of the bits within the ISRs.

C.6.2 “88 Mode” Interrupt Servicing

88/I-Mode and 88/Z-Mode. I-Mode has historically been referred to as the “Intel” Mode. Likewise, the Z-Mode has been referred to as the “Zilog” Mode.

When the QUART is operating in the Z-Mode, the QUART will place an 8 bit “interrupt vector” on the data bus, to the CPU, during the “Interrupt Acknowledge” or IACK cycle. The CPU will read this interrupt vector from the Data Bus, and determine (from the Interrupt Vector data) the location of the appropriate interrupt service routine, in system memory. Additionally, the Z-Mode gives the user a hardware approach to prioritize the interrupt requests among numerous peripheral devices. This phenomenon is discussed in greater detail in *Section C.6.2.2*.

When the QUART is operating in the 88 I-Mode, the QUART will not provide any interrupt vector information to the CPU, during the IACK cycle. Interrupt Vector information, or any means to route program control to the appropriate Interrupt Service Routine, is accomplished external to the QUART.

The QUART will be in the I-Mode following power up or a hardware reset. The user must invoke the “Set Z-Mode” command, in order to command the QUART into the Z-Mode.

Although the I-Mode has been referred to as the “Intel” Mode, and the Z-Mode as the “Zilog” Mode; this does not mean that the user should only operate the QUART in the Z-Mode when interfacing a Zilog microprocessor, or in the I-Mode when interfacing to an Intel microprocessor. The

division between I-Mode and Z-Mode is not necessary along “corporate” lines. If you are interfacing the QUART to the following microprocessors/microcontrollers, then the QUART must operate in the I-Mode.

- 8051•C
- 8080•P
- 8085•P
- 68HC11•C
- Z-80•P (Interrupt Modes 0 and 1)

However, the QUART should be operating in the Z-Mode when interfacing the following microprocessors and microcontrollers.

- 8088•P
- 8086•P
- 80286 - 80486•Ps
- Pentium•P
- Z-80•P (Interrupt Modes 2)

The next few sections will provide detailed discussions of QUART/Microprocessor interfacing and interrupt processing on each of the above-mentioned microprocessors. From this discussion, a detailed description of I-Mode Interrupt processing and Z-Mode Interrupt processing will emerge.

C.6.2.1 I-Mode Interrupt Servicing

The QUART will be in the I-Mode following power up of the IC, or a hardware reset. In general, a CPU interfacing to a QUART operating in the I-Mode, will function as follows, during interrupt servicing.

If the QUART requires interrupt service from the CPU, it will asserts the -INTR pin to the CPU. Once the CPU has detected the interrupt request, it will determine the location of the appropriate interrupt service routine, and will branch program control to that location. The CPU will accomplish all of this without providing an “Interrupt Acknowledge” signal or having to solicit this information from the QUART. Once the CPU has eliminated the cause(s) of the QUART’s interrupt request, the QUART will then negate its -INTR pin. The CPU will then exit the “QUART” interrupt service routine and will resume normal processing.

In general there are two approaches that CPUs commonly use to locate the appropriate interrupt service routine, when interfaced with an I-Mode QUART.

- Direct Interrupt Processing
- (External) Vectored-Interrupt Processing

Direct Interrupt Processing

If a CPU employs “Direct Interrupt Processing” then once the CPU has detected the interrupt request, and has completed its current instruction, the CPU will branch program control to a specific location in system memory. For CPUs that employ direct interrupts, this “location” is fixed by the CPU circuitry itself.

For example, if the -INT0 interrupt request input pin, of the 8051•C, is asserted, then the CPU will branch program control to location 0003₁₆ in system memory. This location is fixed (by circuit design of the 8051•C) and cannot be changed by the user.

(External) Vectored Interrupt Processing

CPUs that employ this form of interrupt processing typically have an Interrupt Acknowledge output pin. This “IACK” or “-INTA” output will be used to gate “interrupt vector” information onto the Data Bus, via external (non-QUART) hardware. The term “External” is used to describe this form of vectored-interrupt processing; because the location of the interrupt service routine is determined by hardware “external” to the QUART. For some CPUs, (such as the 8080A and the 8085•P), this “interrupt vector” information is a one byte op-code for a CALL instruction to a special “RESTART subroutine”. The location of this “RESTART subroutine” is fixed by CPU circuit design. If the user employs this approach for interrupt processing, he/she is responsible for insuring that either the interrupt service routine, or an unconditional branch instruction (to the interrupt service routine) resides at this location in memory.

Each of these Interrupt Processing techniques will be presented in greater detail in the following sections.

In summary, the QUART should be operating in the I-Mode, when interfaced to the •P/•C presented in *Table 4*. *Table 4* also presents the type of interrupt processing that is employed by each of these •Ps/•Cs.

Comments on 88 I-Mode Interrupt Service Routines

Operating the QUART in the 88 I-Mode imposes a small disadvantage in interrupt processing, when compared with the 68 Mode and 88 Z-Mode. Both the 68 Mode and 88 Z-Mode QUARTs will provide the CPU with the contents of either IVR1 or IVR2 on the Data bus, during an IACK cycle. This feature narrows the “search” for the cause(s) of the interrupt request down to one-half of the QUART. (Recall, IVR1 is placed on the Data Bus if the cause of the interrupt request is addressed by the ISR1 register. IVR2 is placed

on the Data Bus if the cause of the interrupt request is addressed by the ISR2 register.). Hence, the CPU interfaced to an 68 Mode or Z-Mode QUART only has to read one of the ISRs as a part of the Interrupt Service Routine. However, the CPU interfaced to an 88 I-Mode

QUART may have to read both ISRs, during the search of the cause of the interrupt request, as a part of the interrupt service routine. This phenomenon can impose a small increase the interrupt latency for servicing the I-Mode QUART.

•P•/C	Type of Interrupt Processing	Comments
8051•C	Direct	The 8051•C has two external Interrupt Request inputs: -INT0 and -INT1.
8080AP	External Vectored	The 8080A•P will allow the use of up to 8 different op codes for “CALL” instructions to the Interrupt Service Routines. The 8080A CPU module will output an interrupt acknowledge output, -INTA, which can be used to “gate” the “CALL” instructions on to the Data Bus.
8085•P	Direct and External Vectored	The 8085•P has three “Direct” external Interrupt Request inputs: RST 7.5, RST 6.5, and RST 5.5. Additionally, this •P has the exact same “vector” options as does the 8080A •P.
68HC11•C	Direct	The 68HC11•C has a single “maskable” external Interrupt Request input; -IRQ.
Z-80•P (Interrupt Mode 0)	External Vectored	The Z-80 CPU uses the exact same approach as presented for the 8080A CPU.
Z-80•P (Interrupt Mode 1)	Direct Interrupt	The Z-80 will branch to 0038H in system memory if the -INT interrupt request pin is asserted.

Table 4. Summary of •P•/C and Their Types of Interrupt Processing (I - Mode)

The information presented in *Table 4* is discussed in detail in the following sections.

C.6.2.2 8051 Microcontroller

The 8051 family of microcontrollers is manufactured by Intel and comes with a variety of amenities. Some of these amenities include:

- on chip serial port
- four 8 bit I/O port (P0 - P3)
- two 16 bit timers
- 4k bytes of ROM
- 128 bytes of RAM

The product (or products) mentioned in this data sheet are no longer being manufactured and may not be ordered (OBS)

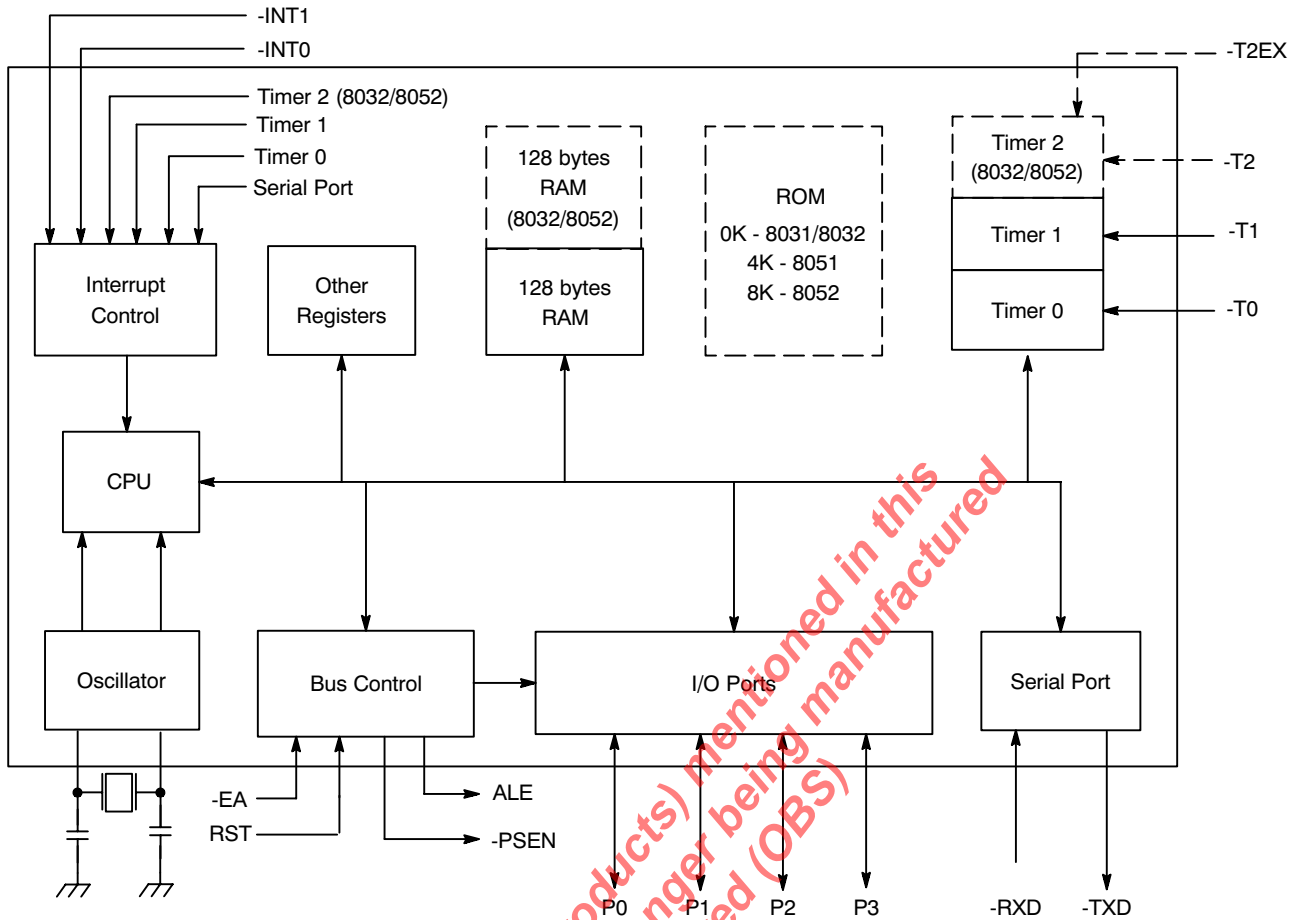


Figure 7. Block Diagram of the 8051 Microcontroller

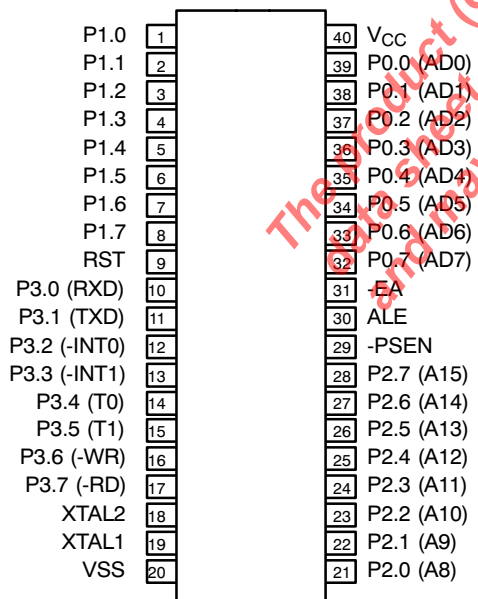


Figure 8. Pin Out of the 8051 Microcontroller

The 8051•C consists of 4 8-bit I/O ports. Some of these ports have alternate functions, as will be discussed below.

Port 0 (P0.0 - P0.7)

This port is a dual-purpose port on pins 32 - 39 of the 8051 IC. In minimal component designs, it is used as a general purpose I/O port. For larger designs with external memory, it becomes a multiplexed address and data bus (AD0 - AD7).

Port 1 (P1.0 - P1.7)

Port 1 is a dedicated I/O port on pins 1 - 8. The pins, designated as P1.0, P1.1, P1.2, ..., are available for interfacing as required. No alternative functions are assigned for Port 1 pins; thus they are used solely for interfacing to external devices. Exceptions are the 8032/8052 ICs, which use P1.0 and P1.1 either as I/O lines or as external inputs to the third timer.

Port 2 (P2.0 - P2.7)

Port 2 (Pins 21 - 28) is a dual-purpose port that can function as general purpose I/O, or as the high byte of the address bus for designs with external code memory of more than 256 bytes of external data memory (A8 - A15).

Port 3:

Port 3 is a dual-purpose port on pins 10 - 17. In addition to functioning as general purpose I/O, these pins have multiple functions. Each of these pins have an alternate purpose, as listed in *Table 5*, below:

Bit	Name	Alternate Function
P3.0	RXD	Receive Data for Serial Port
P3.1	TXD	Transmit Data for Serial Port
P3.2	-INT0	External Interrupt 0
P3.3	-INT1	External Interrupt 1
P3.4	T0	Timer/Counter 0 External Input
P3.5	T1	Timer/Counter 1 External Input
P3.6	-WR	External Data Memory Write Strobe
P3.7	-RD	External Data Memory Read Strobe

Table 5. Alternate Functions of Port 3 Pins

The 8051 also has numerous additional pins which are relevant to interfacing to the XR82C684 QUART or other peripherals. These pins are:

ALE - Address Latch Enable

If Port 0 is used in its alternate mode - as the data bus and the lower byte of the address bus -- ALE is the signal that latches the address into an external register during the first half of a memory cycle. Once this is done, the Port 0 lines are then available for data input or output during the second half of the memory cycle, when the data transfer takes place.

-INT0 (P3.2) and -INT1 (P3.3)

-INT0 and -INT1 are external interrupt request inputs to the 8051•C. Each of these interrupt pins support “direct interrupt” processing. In this case, the term “direct” means that if one of these inputs are asserted, then program control will automatically branch to a specific (fixed) location in code memory. This location is determined by the circuit design of the 8051•C IC and cannot be changed. *Table 6* presents the location (in code memory) that the program control will branch to, if either of these inputs are asserted.

Interrupt	Location
-INT0	0003H
-INT1	0013H

Table 6. Interrupt Service Routine Locations (in Code Memory) for -INT0 and -INT1

Therefore, if the user is using either one of these inputs as an interrupt request input, then the user must insure that the appropriate interrupt service routine or an unconditional branch instruction (to the interrupt service routine) is located at one of these address locations.

If the 8051•C is required to interface to external components in the data memory space of sizes greater than 256 bytes, then both Ports 0 and Port 2 must be used as the address and data lines. Port 0 will function as a multiplexed address/data bus. During the first half of a memory cycle, Port 0 will operate as the lower address byte. During the second half of the memory cycle Port 0 will operate as the bi-directional data bus. Port 2 will be used as the upper address byte. ALE and the use of a 74LS373 transparent latch device can be used to demultiplex the Address and Data bus signals.

Figure 9 is a schematic illustrating how the XR82C684 QUART can be interfaced to the 8051•C.

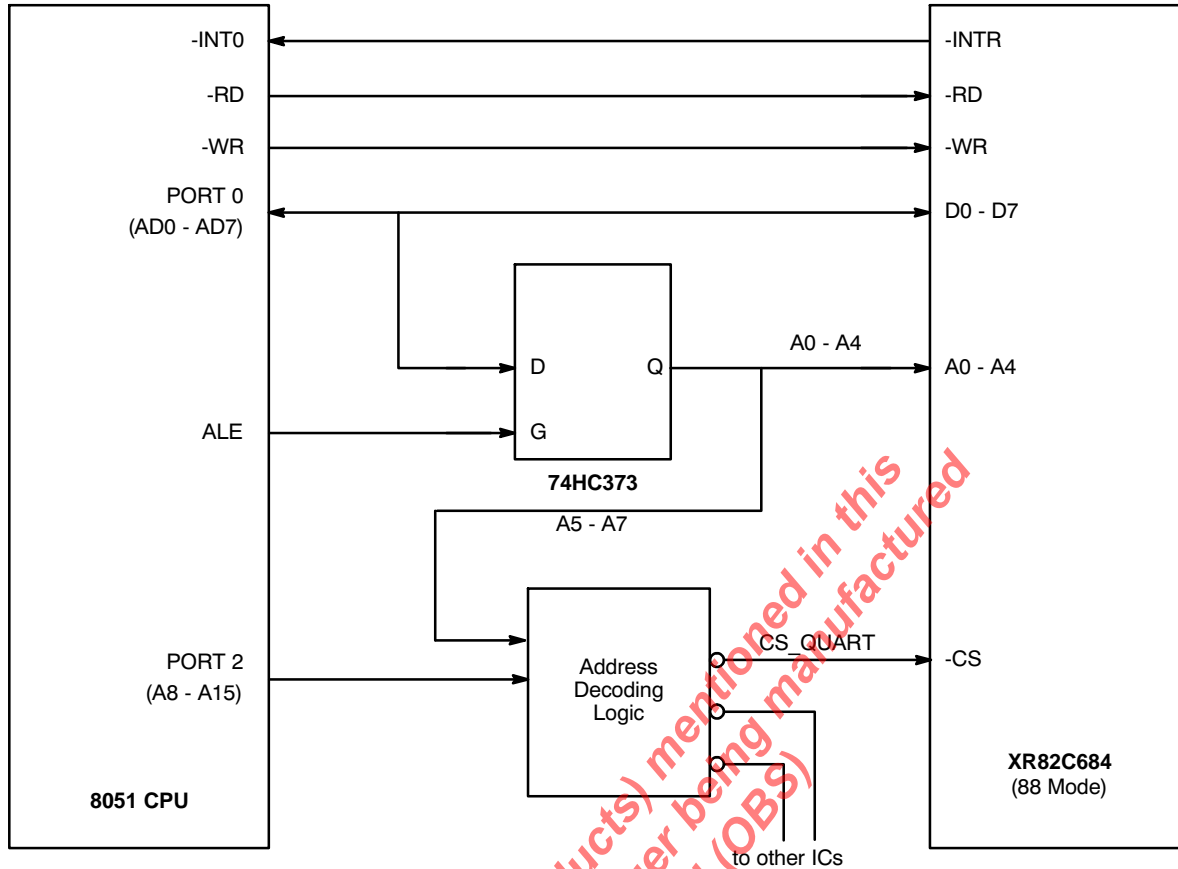


Figure 9. An Approach to Interfacing the XR82C684 QUART to the 8051 Microcontroller

The circuitry presented *Figure 9* would function as follows during a QUART requested interrupt. The QUART device requests an interrupt from the CPU by asserting its active low -INTR output pin. This will cause the -INT0 input pin to the CPU to go low. When this happens the 8051 CPU will finish executing its current instruction, and will then branch program control to the QUART interrupt service routine. In the case of *Figure 5*, since the QUART's -INTR pin is tied to the -INT0 pin of the CPU, then the beginning of the interrupt service routine will be located in 0003H in code memory. The 8051 CPU does not issue an Interrupt Acknowledge signal back to the QUART. It will just begin processing through the QUART's interrupt service routine. Once the CPU has eliminated the cause(s) of the interrupt request, the QUART's -INTR pin will be negated (go "high") and the CPU will return from the interrupt service routine and resume normal operation.

C.6.2.3 8080A Microprocessor

The 8080A Microprocessor is one of the earlier version of the Intel processors. In general, it is an 8-bit

microprocessor that requires 5V, 5V, and 12V power supplies. Additionally, this microprocessor requires two other chips, in order to create a "complete" CPU module. Typically, these devices would be the 8224 Clock Generator and the 8228 System Controller. The 8224 Clock Generator is responsible for conditioning and generating the necessary timing source for the 8080A CPU, from an external crystal. The 8228 System Controller is responsible for buffering the bi-directional Data Bus. Additionally, since the 8080 CPU device does not directly provide control bus signals, the 8228 Device is responsible for translating signaling information, from the 8080A device, into the following Control Bus signals; in order to access memory and peripheral devices.

- INTA - Interrupt Acknowledge
- MEMR - Memory Read
- MEMW - Memory Write
- IOR - Input Port Read
- IOW - Output Port Write

Figure 10 presents a schematic of the 8080A CPU Module.

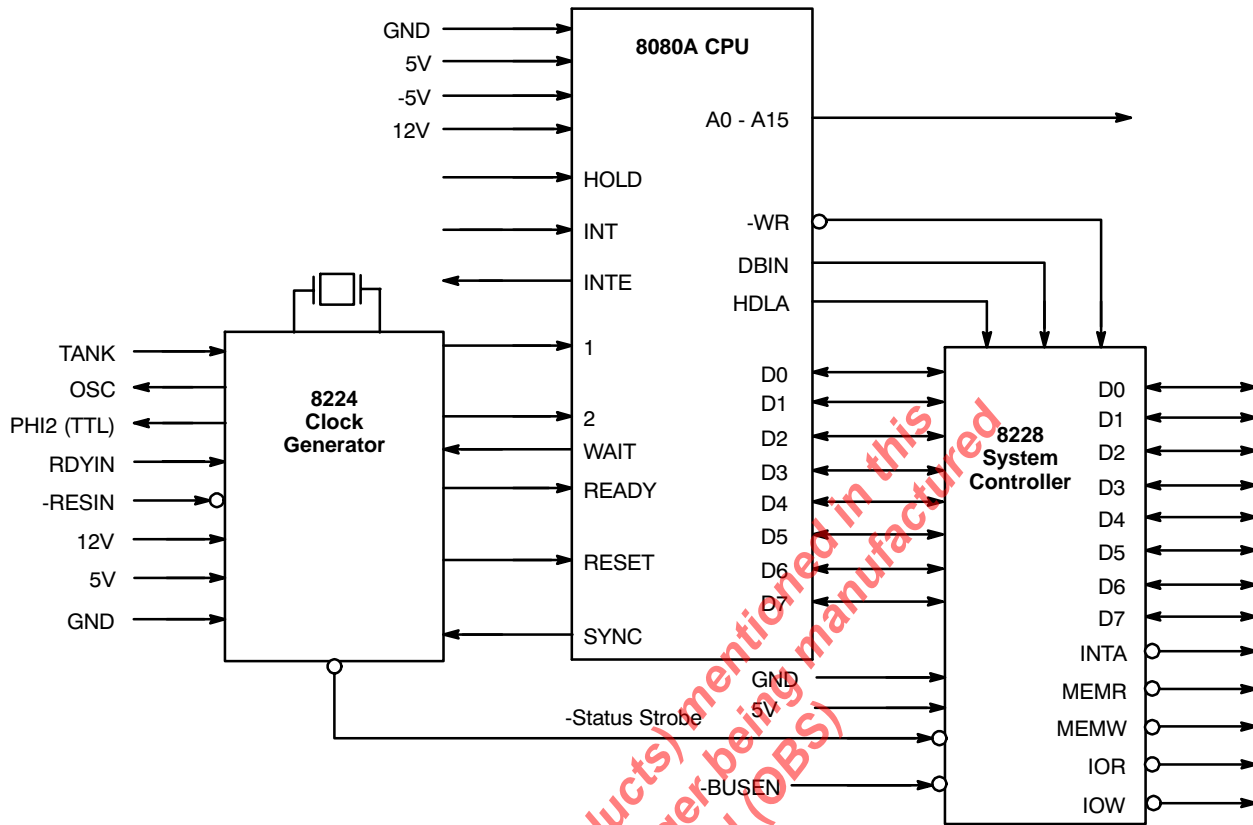


Figure 10. Schematic of 8080A CPU Module

8080A CPU Module Interrupt Structure

The "Interrupt Structure" of the 8080A CPU is described below. The 8080A CPU device consists of two signals: INTE and INT. Additionally, the 8228 Bi-Directional Bus consists of a single output signal, -INTA. INTE is the active-high Interrupt Enable output, and INT is the active-high Interrupt Request input. If the "Enable Interrupt" command has been invoked, the INTE output will be "high" indicating that the 8080 CPU will honor interrupt requests from peripherals. Whenever the INT pin is asserted by a peripheral device requesting an interrupt, the CPU will complete its current instruction. After completion of this instruction, the CPU module will assert -INTA via the 8228 Bi-Directional Bus Driver (U2) by toggling -INTA "low". -INTA is the active-low "Interrupt

Acknowledge" signal that the CPU module outputs in order to initiate the process of interrupt servicing. The 8080A CPU module only supports "external" vectored-interrupt processing. Hence, when -INTA is asserted, the CPU module is awaiting "vector" information on the Data bus. In the case of the 8080A CPU Module, this "vector" information is typically the op-code for one of the RESTART instructions (RST). The 8080A CPU supports up to eight different RST instructions (RST 0 through RST 7). These instructions are one-byte calls to specific locations within the CPU's memory space, where the appropriate interrupt service routine exists. Table 7 presents a list of these RESTART instructions, the op-codes, and the corresponding RESTART address.

Op-Code (hex)	Mnemonic	Restart Address (hex)
C7	RST 0	0000
CF	RST 1	0008
D7	RST 2	0010
DF	RST 3	0018
E7	RST 4	0020
EF	RST 5	0028
F7	RST 6	0030
FF	RST 7	0038

Table 7. 8080A and 8085 CPU Restart Instructions Used with Vectored Interrupts

Therefore, once the CPU receives the op-code for one of these RESTART instructions, it will begin executing this instruction by loading the Program Counter with the appropriate "Restart Address". Afterwards, program control will be branched to the "Restart Address" location. For example, if the op-code "E7₁₆" is loaded onto the Data Bus during the -INTA cycle, this op-code corresponds with the "RST 4" command and, the CPU will load 0020₁₆ into the Program Counter and program control will branch to that location in memory (see Table 7).

Interfacing the 8080 CPU Module to the XR82C684 QUART for Interrupt Processing

The 8080A CPU can be connected to the XR82C684 and run in the Interrupt Driven mode. Figure 11 presents an approach that can be applied to interfacing the XR82C684 QUART to the 8080A CPU for "external" vectored interrupt processing. Please note that Figure 11 only includes information pertaining to QUART interrupt

servicing. Other circuitry (such as the 8224 Clock Generator, the Address Bus, etc.) have been omitted from the schematic. In this schematic, the QUART Interrupt Service Routine is located at 0020₁₆ in memory. Additionally, the QUART has been configured to operate in the I-Mode. The function description of this circuit is presented below.

The XR82C684 will request an interrupt to the 8080A CPU, by toggling its -INTR output "low". This signal is inverted and applied to the active-high INT input of the CPU. Once the 8080A CPU has completed its current instruction, it will assert the active-low -INTA signal (from the 8228 Bi-Directional Bus Driver). At this time, both the -INTR signal (from the QUART) and the -INTA signal (from the 8228) are each at a logic "low". The -INTR and -INTA signals are both routed to a two-input OR gate. Hence, when both -INTR and -INTA are at logic "low", the output of the OR-gate will also be at a logic "low", and thereby asserting both of the Output Enable (OE) inputs of the SN74LS244 Data Bus buffer (U3). This "ORing" of the -INTR and -INTA signals is used to insure that only the peripheral device requesting the interrupt is the one that receives the service (e.g., responsive to the asserted -INTA signal). Once both -OE inputs of U3 are asserted, the data, applied at the input of this device (U3) will now appear at the output of this device, and at the D7 - D0 inputs of the 8228 device (U2). Please note that, in this example, the value "E7₁₆" is hard-wired into the input of U3. This value is the op-code for the "RST 4" command. Hence, once this data is gated into the CPU module, via the data bus, the CPU will load 0020₁₆ into its Program Counter and branch program control to that location. The Interrupt Service Routine for the QUART exists at this location in memory.

The product information on this data sheet is preliminary and may not be complete.

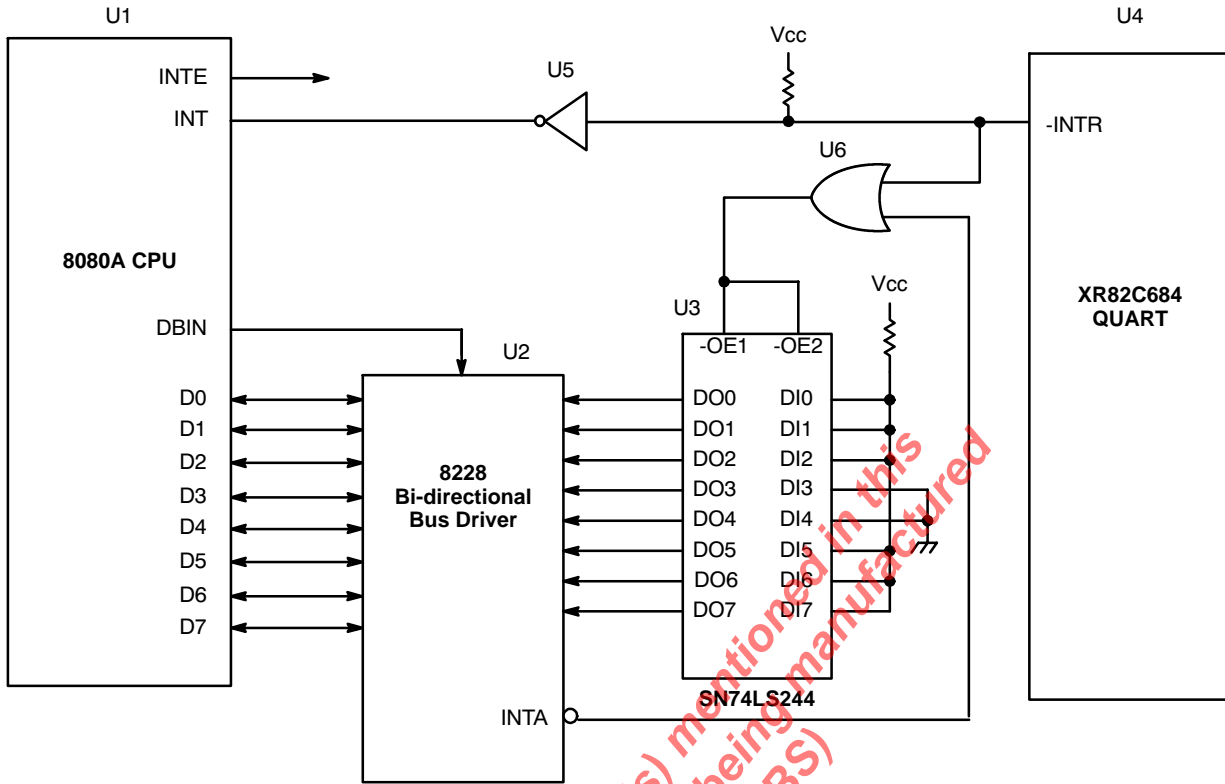


Figure 11. Circuit Schematic depicting approach to Interface the XR82C684 QUART to the 8080A CPU, for “External” Vectored Interrupt Processing (Interrupt Service Routine resides at 0020 in Memory)

Since the 8080A CPU can support up to 8 different RST instructions, it can support up to 8 different interrupt-driven peripheral devices. This can be achieved by replicating the approach, presented in *Figure 11*, and by hardwiring the op-codes for each of the RESTART instructions to the inputs of the Data Buffers (see *Table 7*).

These Data Buffers should be enabled only during the -INTA cycle, and only when their associated peripheral requested the interrupt service.

C.6.2.4 8085 Microprocessor

The 8085 CPU is another early Intel microprocessor, although it is more advanced than the 8080A CPU. Some

of the advancements that were made in the transition from the 8080A to the 8085 include combining the Clock Generator functions of the 8224 onto the CPU chip, adding a non-maskable interrupt request, adding 3 “direct” interrupt request input pins, and adding some form of interrupt priority. The 8085 still requires some glue logic in order to produce the Control Bus signals (i.e., -IOR, -IOW, -MEMR, -MEMW). Further, in order to minimize pin count, the 8085 contains a multiplexed Address/Data Bus (AD0 - AD7). Specifically, the lower 8 bits of the Address Bus share pins with the 8 bit Data Bus. Hence, a 74LS373 8-bit latch is needed in order to demultiplex the Address and Data buses.

Figure 12 presents a schematic of the 8085 CPU Module.

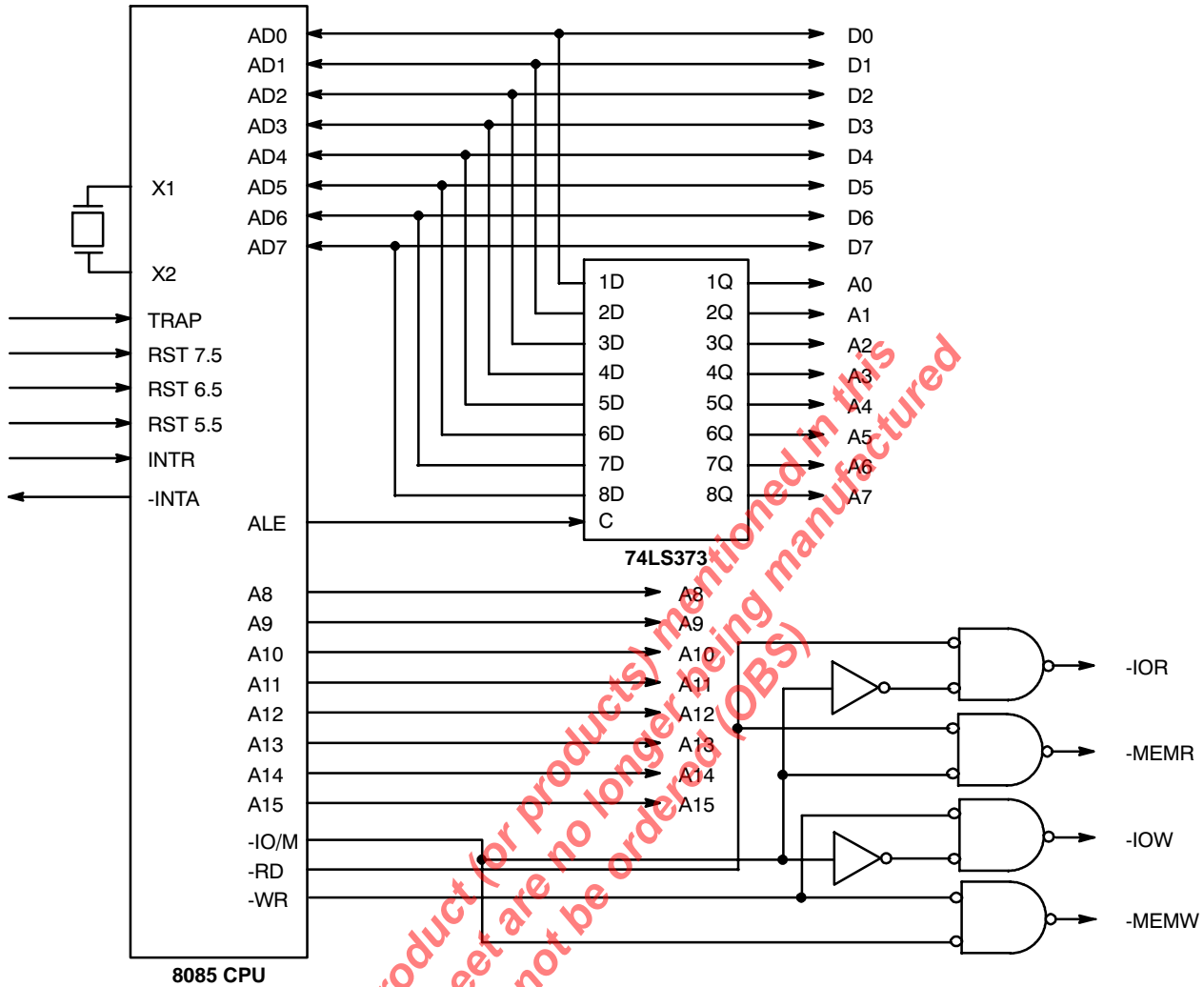


Figure 12. A Schematic of the 8085 CPU Module

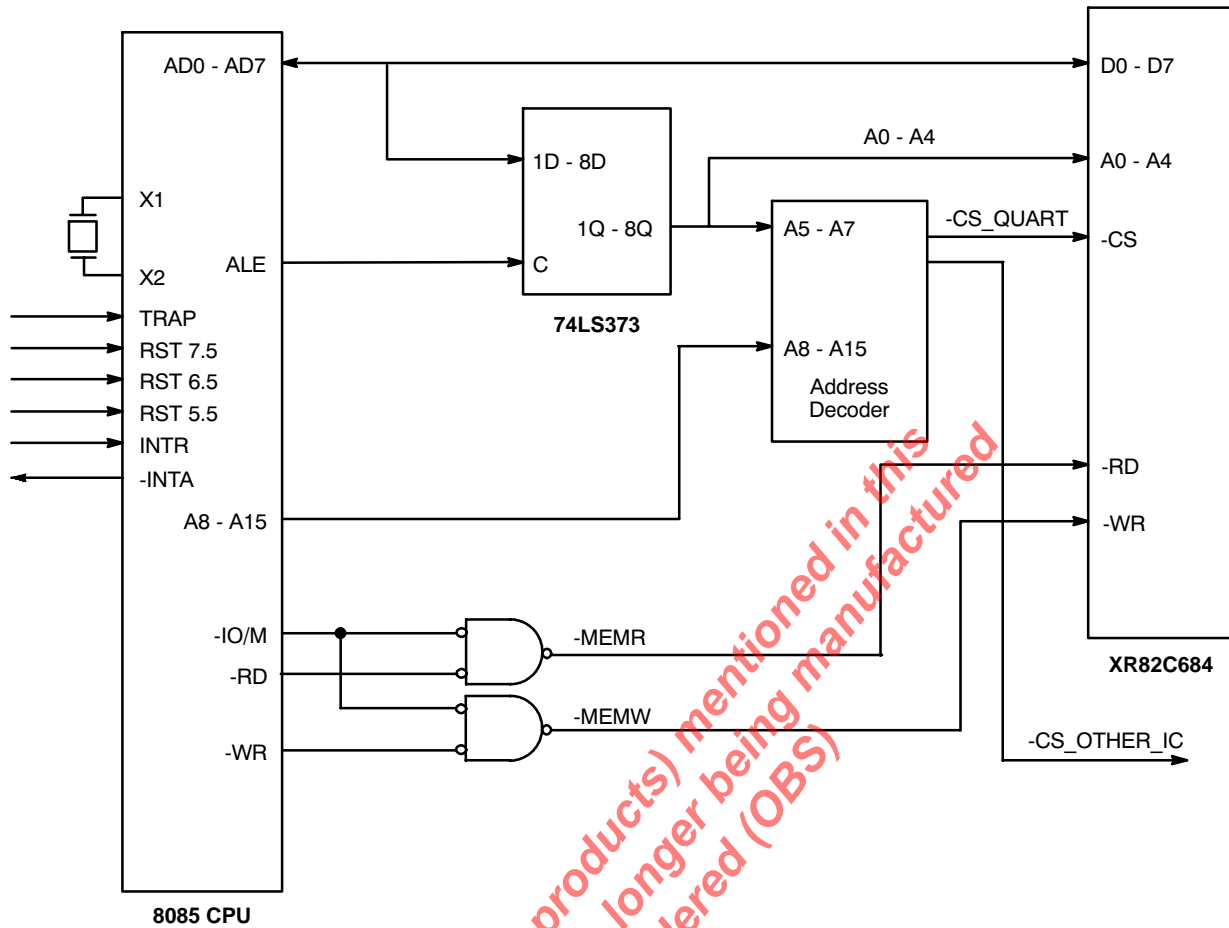


Figure 13. Schematic of the XR82C684 Interface to the 8085 CPU Module (Memory Mapped)

Figure 13 illustrates an approach to interfacing the XR82C684 QUART to the 8085 CPU module. *Note that the XR82C684 QUART, in this case, is memory mapped (e.g., the signals -MEMR and -MEMW of the CPU module are connected to the -RD and -WR pins of the QUART).* However, the user could have just as easily connected the XR82C684 device to the CPU module's I/O port (e.g., the signal -IOR and -IOW of the CPU module are connected to the -RD and -WR pins of the QUART, respectively).

The QUART's -INTR pin was deliberately omitted from this figure, because its use will be addressed in the next two figures.

8085 CPU Module Interrupt Structure

The 8085 CPU supports both Direct and "External" Vectored Interrupt processing. The 8085 has 4 maskable interrupt request inputs (RST 5.5, RST 6.5, RTS 7.5, and INTR), and 1 non-maskable interrupt request input (TRAP). When discussing interfacing for the interrupt servicing of peripheral devices such as the QUART, we are only concerned with the maskable interrupt request inputs. Of the four maskable interrupt request inputs; three of these inputs support "Direct Interrupt" processing. The remaining one interrupt request supports "External Vectored Interrupt" processing. *Table 8* lists these Interrupt Request inputs and their characteristics and features.

Input Name	Trigger	Priority	Type	Acknowledge Signal?	Address (Hex)
RST 7.5	Positive Edge Triggered	2	Direct	None	003C
RST 6.5	High Level until sampled	3	Direct	None	0034
RST 5.5	High Level until sampled	4	Direct	None	002C
INTR	High Level until sampled	5	External Vectored	-INTA = "Low"	See Table 7

Table 8. 8085 CPU Maskable Interrupt Request Inputs and their Features

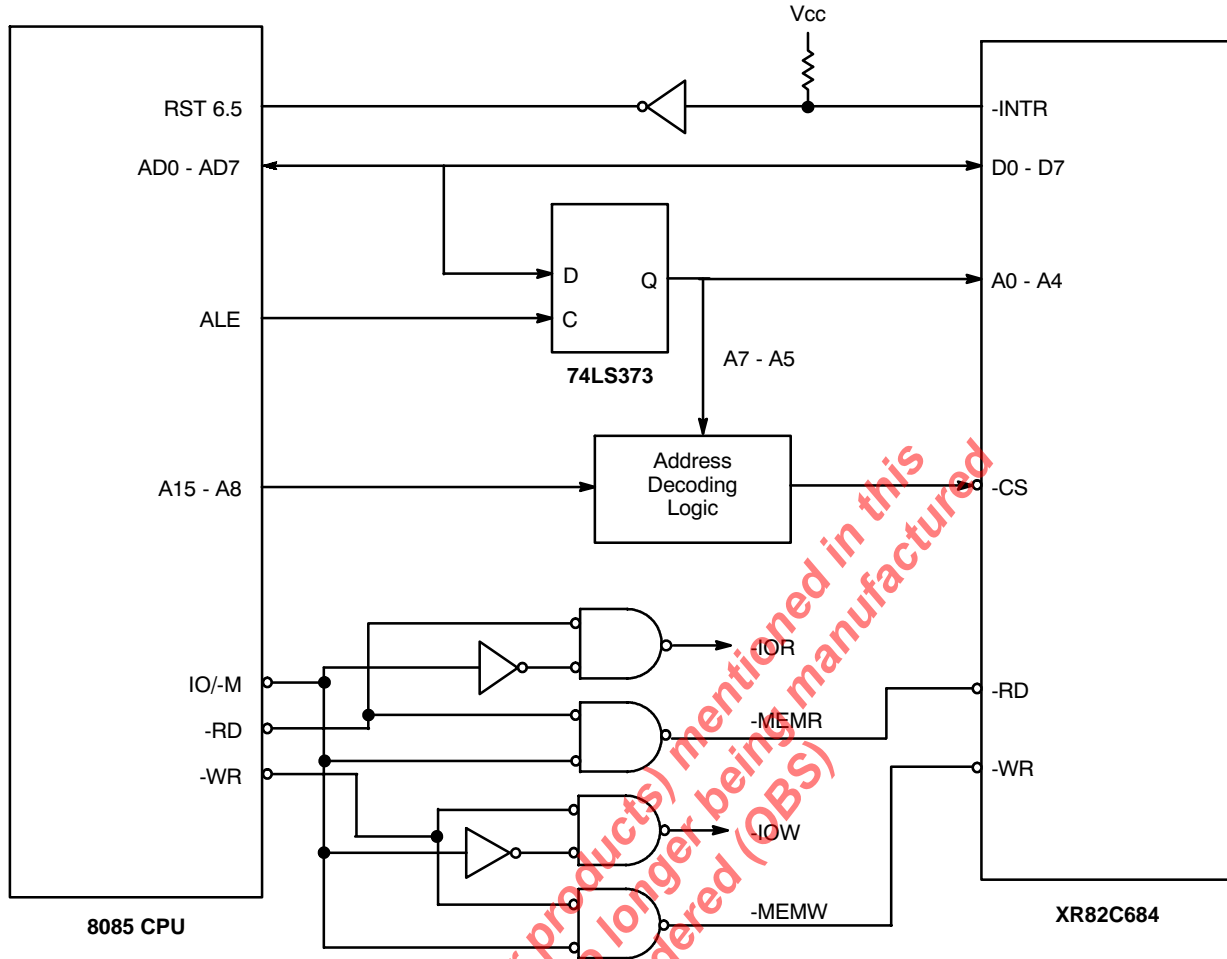
Direct Interrupts

The 8085 CPU inputs RST 7.5, RST 6.5, and RST 5.5 are "Direct Interrupt" request inputs. Specifically, if any of these inputs are asserted, then the program counter of the CPU is, upon completion of the current instruction, automatically loaded with a memory location (pre-determined by the circuitry within the 8085 device), and branches program control to that location. These "Direct" interrupts do not provide the peripheral device with any sort of "Interrupt Acknowledge". Hence, according to *Table 8*, if the RST 7.5 input were asserted, the value "003C₁₆" would be loaded into the program counter of the CPU, and program control would branch to that location in memory. The user is responsible to insure that the correct interrupt service routine begins at that location in memory.

The 8085 CPU offers interrupt prioritization, within the set of Maskable Interrupts. This priority is reflected in *Table 8*. It should be noted that these priority levels only apply to "pending" interrupt request. Once a particular interrupt has "left the queue" and is being serviced by the CPU, this prioritization scheme no longer applies to that particular interrupt. Consequently, it is possible that an RST 5.5 interrupt request could "interrupt" the interrupt service routine for the higher priority RST 7.5 interrupt request. Therefore, the user must guard against this phenomenon in his/her firmware.

Table 8 also indicates that the 8085 CPU will support "external" vectored interrupts. The manner and commands that are used in external vectored interrupt processing are identical to that presented for the 8080 CPU (see *Section C.6.2.3*).

The product (or products) identified in this data sheet are no longer being manufactured and may not be ordered (Q35)



**Figure 14. The XR82C684/8085 CPU Interface for Direct Interrupt Processing
(Interrupt Service Routine is located at 0034 in system memory)**

Figure 14 and Figure 15 present two different approaches that can be used to interface the XR82C684 QUART to the 8085 CPU.

Figure 14 presents a schematic where the QUART will request a "Direct" RST 6.5 Interrupt to the 8085 CPU. In this case, the Interrupt Service Routine for the QUART must begin at 0034₁₆ in system memory. This is a very simple interface technique, because there is no "Interrupt Acknowledge" signal to route and interface.

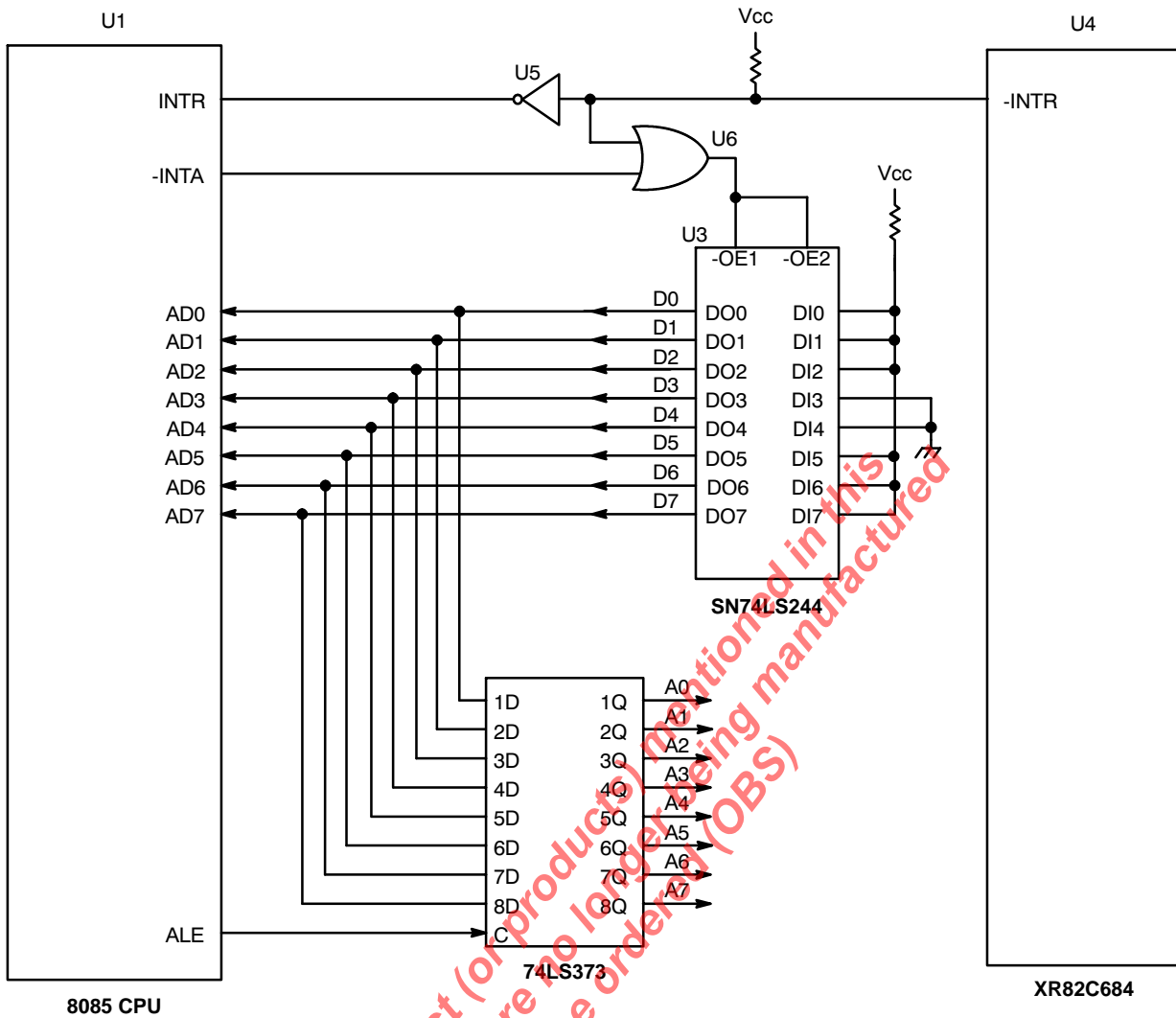


Figure 15. The XR82C684/8085 CPU Interface for Vectored Interrupt Processing (Interrupt Service Routine is Located at 0020₁₆ in System Memory)

Figure 15 presents a schematic where the QUART will request a “External-Vectored” Interrupt to the 8085 CPU. In this case, the Interrupt Service Routine for the QUART must begin at 0020₁₆ in system memory.

C.6.2.5 68HC11 Microcontroller

Motorola manufactures a family of microcontrollers, referred to as the MC68HC11 microcontrollers. This family of microcontrollers offers some of the following amenities:

- 5 Multi-Function Parallel Ports
- ROM or EPROM
- RAM
- A/D Converter

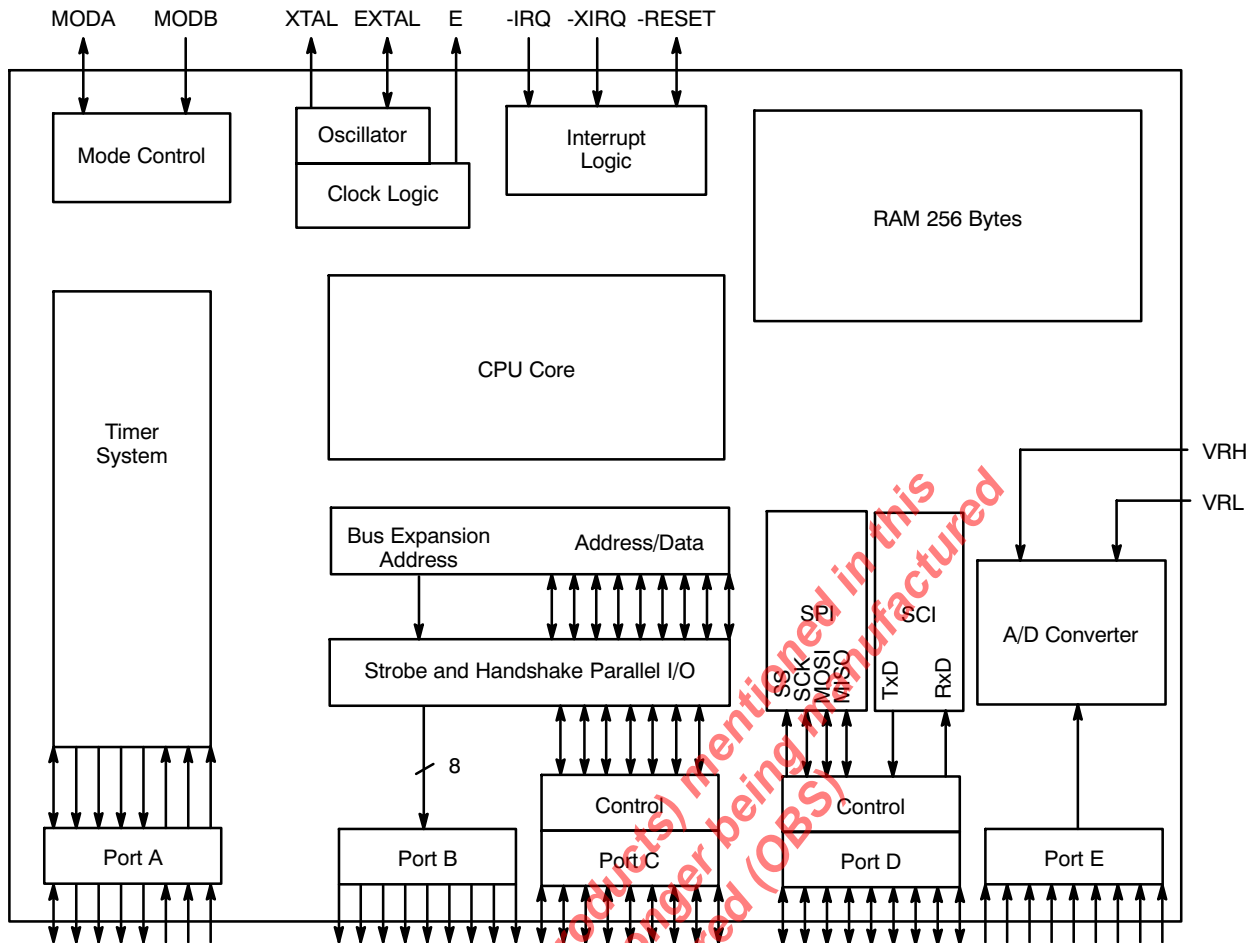


Figure 16. Block Diagram of the MC68HC11 Microcontroller

Figure 16 is the block diagram of the MC68HC11•C.

The 68HC11 can be configured to operate in a "Single Chip" Mode or in an "Expanded Multiplexed Bus" mode. If a device is configured to operate in the "Single Chip" mode, the entire 64K bytes of Address space is internal to the •C IC. Please note that this does not mean that there is 64K bytes of memory, or other addressable portions within the device. A 68HC11 MCU configured for "Single Chip" mode operation cannot address any components external to the MCU. Therefore, if a user desired to interface the QUART to this •C, then the •C must operate in the "Expanded-Multiplexed" mode. The MC68HC11 is configured into the Expanded Multiplexed mode by tying both the MODA and MODB pin to Vcc, and then resetting the device.

The MC68HC11 consists of 5 different multi-function parallel ports. Each of these ports are briefly discussed below.

Port A

Port A consists of 3 input pins, 4 output pins and 1 bi-directional pin. This port is used to support the Timer System. One of the input pins can be used for the Pulse Accumulator. Three of the input pins support input capture functions; and four of the output pins support output compare functions.

Port B

Port B consists of 8 output pins. If the 68HC11 •C is operating in the single chip mode, this port functions as a general purpose output port. However, if the 68HC11 is operating in the expanded-multiplexed mode, then this port will function as the upper address byte for memory/peripheral device interfacing (A8 - A15).

Port C

Port C consists of 8 bi-directional pins. When the 68HC11 is operating in the single-chip mode, this port functions as

a general purpose bi-directional port. However, if the 68HC11 is operating in the expanded-multiplexed mode then this port will function as the multiplexed address/data bus (AD0 - AD7). Specifically, during the first half of a memory cycle, this port will function as the lower address byte (Port B is the upper address byte) for addressing memory devices and peripheral components. During the second half of the memory cycle, this port will function as the bi-directional data bus. This port can be demultiplexed via the use of the AS (Address Strobe) pin and a 74LS373 latch device.

Port D

Port D consists of 8 bi-directional pins. However, this port can be configured to support the on-chip Serial Peripheral Interface (SPI), and Serial Communications Interface (SCI).

Port E

Port E consists of either 4 or 8 inputs (depending upon the packaging option). This port can be configured to function as a general purpose input or as the inputs to the on-chip A/D converter.

There are numerous other pins that are pertinent for interfacing to the XR82C684 QUART device. Some of these pins are discussed below.

-IRQ

This is the "maskable" interrupt request input. If this input is asserted (e.g., toggled "low"), then the 68HC11 C will branch program control to FFF2, FFF3 in system memory (on-chip ROM). The user is responsible for insuring that

the appropriate interrupt service routine resides at this location in memory.

AS/STRA

AS or "Address Strobe" can be used to demultiplex the address/data bus of Port C. This pin is at a logic "high" during the first half of a memory cycle; and at a logic "low" during the second half of a memory cycle.

If the 68HC11 is intended to operate in the expanded-multiplexed mode and interface to more than 256 bytes of addressable memory space, then both Ports B and C are required as shown in *Figure 17*. *Figure 17* also illustrates how the XR82C684 QUART could be connected to the 68HC11 •C for interrupt driven operation. If the QUART requests an interrupt, its active low -INTR pin will be asserted (toggle low), which will, in turn, cause the -IRQ pin of the CPU to be asserted. When this occurs the •C will continue executing its current instruction. After completion of this instruction, program control will shift to location FFF2, FFF3 in system memory. The user is responsible to insure that the QUART's interrupt service routine resides at this location in memory. The •C will not issue an interrupt acknowledge signal to the QUART. Instead, the •C will just processes through the interrupt service routine. Once the •C has eliminated the cause(s) of the QUART's interrupt request, the -INTR pin will be negated and the •C will return from the Interrupt Service Routine and resume normal processing.

One more point should be mentioned about *Figure 17*. The glue-logic circuitry required to generate the -WR, -RD, and the RESET signals for the QUART, from the -R/W, -RESET, and E clock presented in *Figure 3*. This circuitry has also been included in *Figure 18*.

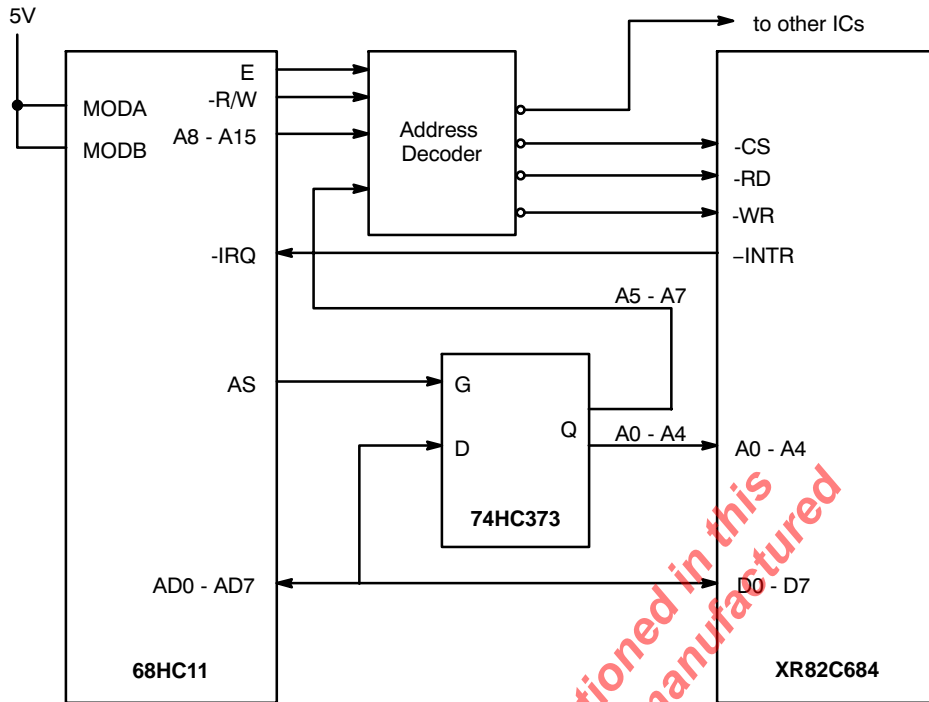


Figure 17. XR82C684/MC68HC11 Microcontroller Interfacing Approach

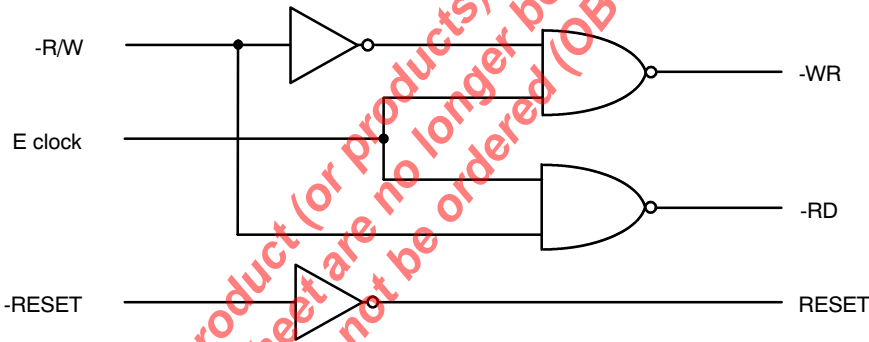


Figure 18. Glue Logic Circuitry Required to Interface the MC68HC11 •C to the XR82C684 QUART

C.6.2.6 Z-80 CPU

The Z-80 CPU can be interfaced to a QUART operating in the I-Mode, if it (the CPU) is operating in Interrupt Modes 0 or 1. However, for the sake of “processor continuity”, the details associated with the Z-80 CPU will be presented in *Section C.6.2.1*.

C.6.3 Z-Mode Interrupt Servicing

The QUART will be operating in the I-Mode following power up or a hardware reset of the IC. The user must invoke the “Set Z-Mode” command (see *Table 2*), in order

to configure the QUART into the Z-Mode. In general, a CPU interfacing to a QUART (operating in the Z-Mode) will function as follows during interrupt servicing.

If the QUART requests interrupt servicing from the CPU, it will assert the -INTR pin (e.g., toggle “low”). Once the CPU has detected the interrupt request, it will issue an IACK (Interrupt Acknowledge) signal back to the QUART. When the CPU sends the IACK signal to the QUART it is informing the QUART that its interrupt request is about to be served. When the QUART has received (or detected) the IACK signal, it will, in response, place the contents of one of the Interrupt Vector Registers (IVR1 or IVR2) on

the Data Bus. The CPU will read this “interrupt vector” information; and determine the following two things (based on the “interrupt vector” information).

- The source of the interrupt request (e.g., which peripheral needs service).
- The appropriate location of the Interrupt Service Routine.

Afterwards, program-control will be branched to the

location of the interrupt service routine.

Another characteristic of Z-Mode operation is that it allows the user to prioritize the interrupt requests from numerous peripheral devices, via hardware means. Let us suppose that we have several QUART devices; and that each of these devices have been configured to operate in the Z-Mode. The user could prioritize the Interrupt Request of each of these devices by connecting these devices in a “daisy-chain” manner as presented in Figure 19.

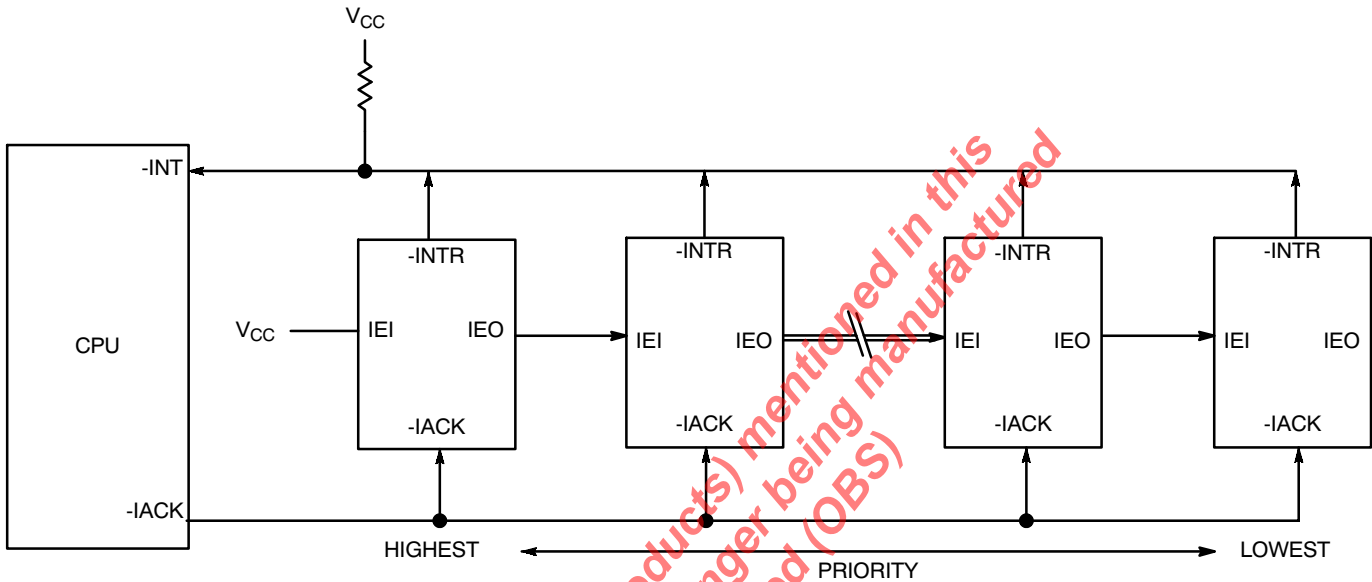


Figure 19. A Diagram of Numerous QUARTs configured in an Interrupt Daisy Chain (for Z-Mode Operation)

In addition to the -INTR and -IACK pins, the “Z-Mode” QUART also uses the IEI and IEO pins; which are defined as follows:

IEI - Interrupt Enable Input

This active-high input is only available if the QUART is configured to operate in the Z-Mode. If this input is at a logic “high” then all unmasked interrupt requests, from this QUART, are enabled.

Note: those interrupts which have been masked out by the IMR are still disabled. However, if this input is at a logic “low”, then all interrupts (whether masked or unmasked) are disabled. Hence, IEI can act to globally disable all QUART interrupt requests.

IEO - Interrupt Enable Output

This active-high output is only available if the QUART is configured to operate in the Z-Mode. This output is typically connected to the IEI input of another (lower

priority) device. This output pin is “high” if all of the following conditions are true.

- The device’s IEI input pin is at a logic “high”
- The device is not currently requesting interrupt service from the CPU

If any of these conditions are false, then the IEO pin will be at a logic “low”.

Note: Once the IEO pin has toggled “low”, and the CPU has acknowledged the interrupt request and has completed the interrupt service routine, the IEO pin will remain “low” until the user invokes the “RESET IUS” command (see Table 2). Therefore, if the QUART is going to operate in the Z-Mode, the user must include the “RESET IUS” Command at the very end of the QUART interrupt service routine.

System Level Application of the IEI and IEO pins

Figure 19 depicts a series of QUARTs connected in a “daisy-chain” fashion. In this figure, the left-most QUART has the highest interrupt priority. This is because this

QUART's IEI input is hardwired to Vcc. Therefore, the unmasked interrupt requests, from this QUART are always enabled. The QUART device, located just to the right of the "highest interrupt priority" device is of a lower interrupt priority. This is because the IEI input of this lower priority device is connected to the IEO output of the highest priority QUART. Whenever the "highest priority" device requests an interrupt, its IEO output will toggle "low". This will in turn, disable the "lower priority" device from issuing any interrupt requests to the CPU. This "lower priority" QUART will be prohibited from issuing

interrupts until the IEO pin of the "highest priority" QUART has toggled "high".

Referring, once again, to *Figure 19*, the further to the right a QUART device is, the lower its interrupt priority. The right most QUART has the lowest-interrupt priority because its "interrupt request" capability can be disabled by the actions of any one of the QUARTs to the left.

Figure 20 presents a timing diagram depicting the sequence of events that will occur during and following an Interrupt Request from the QUART.

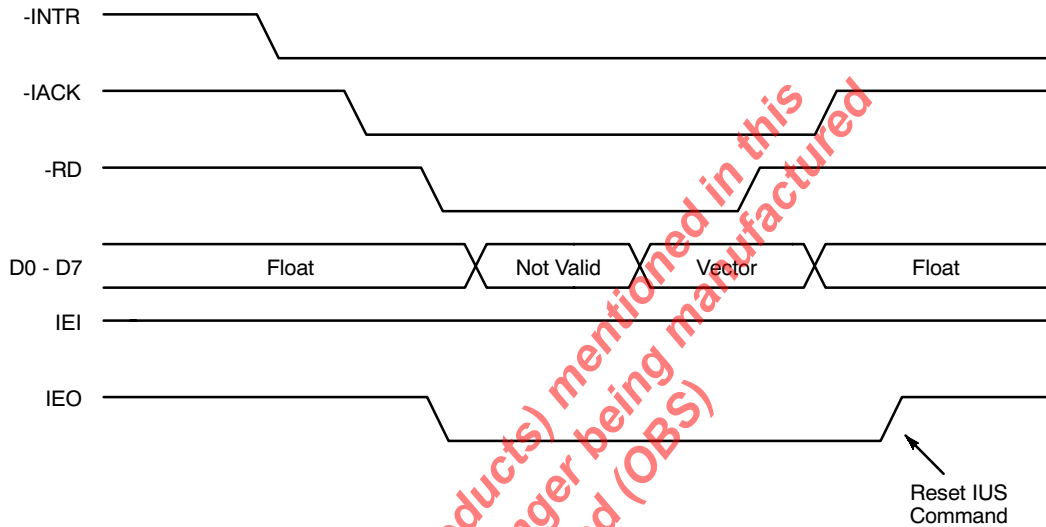


Figure 20. Timing Diagram Illustrating the Sequence of Events occurring between the QUART and the CPU during an Interrupt Request/Acknowledge and Servicing

Additional Notes About Z-Mode Operation

Z-Mode operation is supported by all Zilog Peripheral components. All Zilog peripheral components have an Interrupt Vector Register, Interrupt Acknowledge (IACK)

input, IEI input, and an IEO output. Therefore, *Figure 20* could have easily included some of these Zilog peripheral components, in addition to or in lieu of the QUARTs.

As mentioned earlier, Z-Mode operation is recommended if the QUART is to be interfaced to the following processors.

- Z-80 Microprocessor (Interrupt Mode 2)
- 8088•P
- 8086•P
- 80286 - 80586•P

Please note that it is possible to interface the 80X86 Family of microprocessors to an I-Mode QUART, however, additional components and design complexity would be required in order to accomplish this. The technique/approaches to interfacing the Z-Mode QUART to these microprocessors is presented in detail, in the following sections.

C.6.3.1 Z-80 Microprocessor

The Z-80•P consists of an 8 bit Data Bus, a 16 bit Address Bus and numerous control pins. The Z-80•P is a very flexible processor which can actually interface to either a Z-Mode or an I-Mode QUART device. This is because the Z-80•P can be configured to operate in one of three different “interrupt modes”. The Z-80 is also a little bit less complicated to interface to (than some of the •P/•Cs previously mentioned) because its address and data bus are not multiplexed. Figure 21 presents a schematic of the pin out of the Z-80•P.

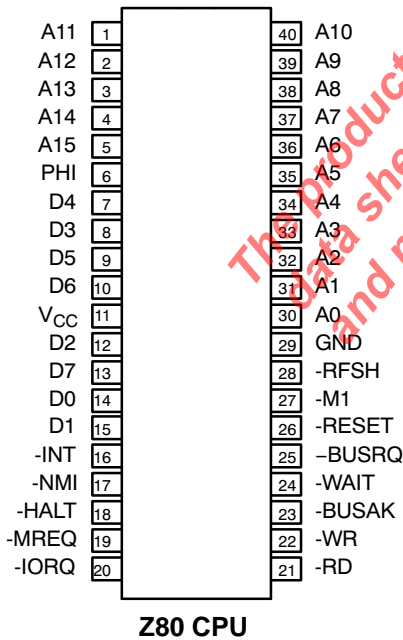


Figure 21 Pin Out of the Z80 CPU Device

The Z-80 CPU will support Read/Write operations between memory and I/O. The Z-80 does require some additional glue logic in order to interface directly to memory and peripheral devices. For instance, the Z-80 CPU device does not come with the control bus signals: -MEMR (Memory Read), -MEMW (Memory Write), -IOR (I/O Port Read), -IOW (I/O Port Write) or -IACK/-INTA (Interrupt Acknowledge) pins. Each of these functions can be derived from the -RD, -WR, -IORQ, -MREQ and -M1 pins. Figure 22 presents a schematic of the Z-80 CPU Module, which shows how once can extract the control bus signals from these CPU control pins.

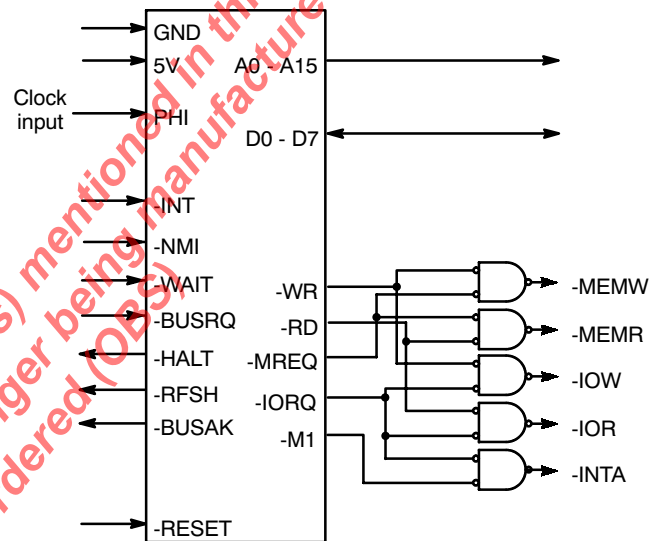


Figure 22. Schematic of Z-80 CPU Module

Z-80 CPU Interrupt Servicing Capability

The Z-80 CPU contains two interrupt request pins: -NMI and -INT. -NMI is the “Non-Maskable” interrupt request input pin; and -INT is the “Maskable” interrupt request input pin. For the sake of interfacing to the QUART, we are only concerned with the -INT pin.

The Z-80 CPU can be configured to operate in one of three different interrupt modes:

- External Vectored
- Direct
- “Peripheral” Vectored

Each of these interrupt modes use the -INT pin of the Z-80 CPU and will be discussed in the following sections.

External Vectored Interrupt Processing (Interrupt Mode 0)

The Z-80•P will operate in this interrupt mode if the “IM 0” instruction has been executed. Whenever the -INT pin is asserted by a peripheral device requesting an interrupt, the CPU will complete its current instruction. After completion of this instruction, the CPU module will assert -INTA (toggle “low”). -INTA is the active-low “Interrupt Acknowledge” signal that the CPU module outputs in order to initiate the process of interrupt servicing. When the Z-80 CPU operates in the Interrupt Mode 0, it is awaiting “vector information” on the Data Bus, following the assertion of -INTA. In this case (for this interrupt mode), this “vector” information is the op-code for one of the RESTART instructions (RST). The Z-80 CPU supports up to eight different RST instructions (RST0 - RST38H). These instructions are one-byte calls to specific locations within the CPU’s memory space, where the appropriate Interrupt service routine resides. *Table 9* presents a list of these RESTART instructions, the op-codes and the corresponding RESTART addresses.

Op-Code (hex)	Mnemonic	Restart Address (hex)
C7	RST 0	0000
CF	RST 08	0008
D7	RST 101	0010
DF	RST 18	0018
E7	RST 20H	0020
EF	RST 28H	0028
F7	RST 30H	0030
FF	RST 38H	0038

Table 9. Z-80 CPU Restart Instructions Used with Vectored Interrupts (Mode 0)

Therefore, once the CPU receives the op-code for one of these RESTART instructions, it will begin executing this instruction by loading the Program Counter with the appropriate “Restart” Address. Afterwards, program control will be branched to the “Restart Address” location. For example, if the op-code E7₁₆ is loaded onto the Data Bus during the -INTA cycle, this op-code corresponds with the RST 20H instruction and, the CPU will load 0020₁₆ into the program counter and program control with branch to that location in memory (see *Table 9*). The user is responsible for insuring that the interrupt service routine begins at this location in memory.

An example of a circuit realizing this form of interrupt processing, while interfacing to the QUART, is presented in *Section C.6.2.3*. This section discusses interfacing the QUART to the 8080A CPU Module. This exact same approach could be used with the Z-80 CPU, provide that the QUART is operating in the I-Mode and that the Z-80 is operating in Interrupt Mode 0.

Direct Interrupt Processing (Interrupt Mode 1)

The Z-80•P will operate in this interrupt mode if the “IM 1” instruction has been executed. Whenever the -INT pin is asserted by a peripheral device requesting an interrupt, the CPU will complete its current instruction. Afterwards, the program counter will automatically be loaded with a memory location (pre-determined by the circuit design of the Z-80 CPU device) and program control will be branched to that location in system memory. In this case, program control would branch to 0038₁₆ in memory. The user is responsible for insuring that the appropriate interrupt service routine is at that particular location in memory. The Z-80 CPU module does not provide the peripheral device with any sort of “Interrupt Acknowledge”. The CPU just processes through the Interrupt Service Routine, eliminates the cause(s) of the interrupt request and returns to normal operation.

Peripheral Vectored Interrupt Processing (Interrupt Mode 2)

The Z-80•P will operate in this interrupt mode if the “IM 2” instruction has been executed. This interrupt “mode” is very useful if the user wishes to connect the interrupt request outputs of several peripherals to the one -INT input of the Z-80 CPU. This interrupt mode allows the interrupting device to identify itself at a certain time, just prior to interrupt servicing.

Whenever the -INT pin is asserted by a peripheral device requesting an interrupt, the CPU will continue to complete its current instruction. Once this current instruction is completed, the CPU Module will assert the -INTA signal to inform the peripheral device that interrupt service is about to begin. Once the interrupting peripheral device has detected the -INTA pulse, it will place an “interrupt vector” on the Data Bus. This interrupt vector will be read by the CPU and the CPU will branch program control to the location (referred to by the interrupt vector). *Please note that if the IEI input to the QUART (or Zilog peripheral device) is “low” then the QUART (or Zilog peripheral device) will be disabled from generating any interrupt requests to the CPU.*

An example of this approach is presented below in *Figure 23*. In this case the XR82C684 QUART is

configured to operate in the Z-Mode and is interfaced to the Z-80 CPU. When the QUART requires interrupt servicing, it will assert its -INTR output. This action will, in turn, cause the -INT input of the CPU to be asserted. Once the CPU has completed its current instruction, the CPU Module will assert the -INTA signal. This will in turn assert the -IACK (Interrupt Acknowledge) input to the QUART. The purpose of the asserted -IACK signal is to inform the QUART that

the very next cycle will be an "IACK" or "Interrupt Acknowledge" cycle. QUART, in response to the -IACK signal, will place the contents of one of the Interrupt Vector Registers (IVR1 or IVR2) on the Data Bus. This data will be read by the CPU, and program control will be branched to the appropriate interrupt service routine. In the case of the Z-80 CPU, this location is a 16 bit address which is determined from the following table.

Most Significant Byte								Least Significant Byte							
Bit 15	Bit 14	Bit 13	Bit 12	Bit 11	Bit 10	Bit 9	Bit 8	Bit 7	Bit 6	Bit 5	Bit 4	Bit 3	Bit 2	Bit 1	Bit 0
Contents of the I Register (within the CPU)								The 7 Most Significant Bits within the Interrupt Vector Registers of the QUART							0

Table 10. The Relationship Between the Contents of the Interrupt Vector Registers (of the QUART) and the Location of the Interrupt Service Routine (Z-80 CPU)

Note: The LSB of the IVR is always set to "0" once read by the CPU. Interrupt Service Routines must begin at even addresses. Additionally, the user must be aware of the contents that he/she loads into the I Register of the CPU, during run time.

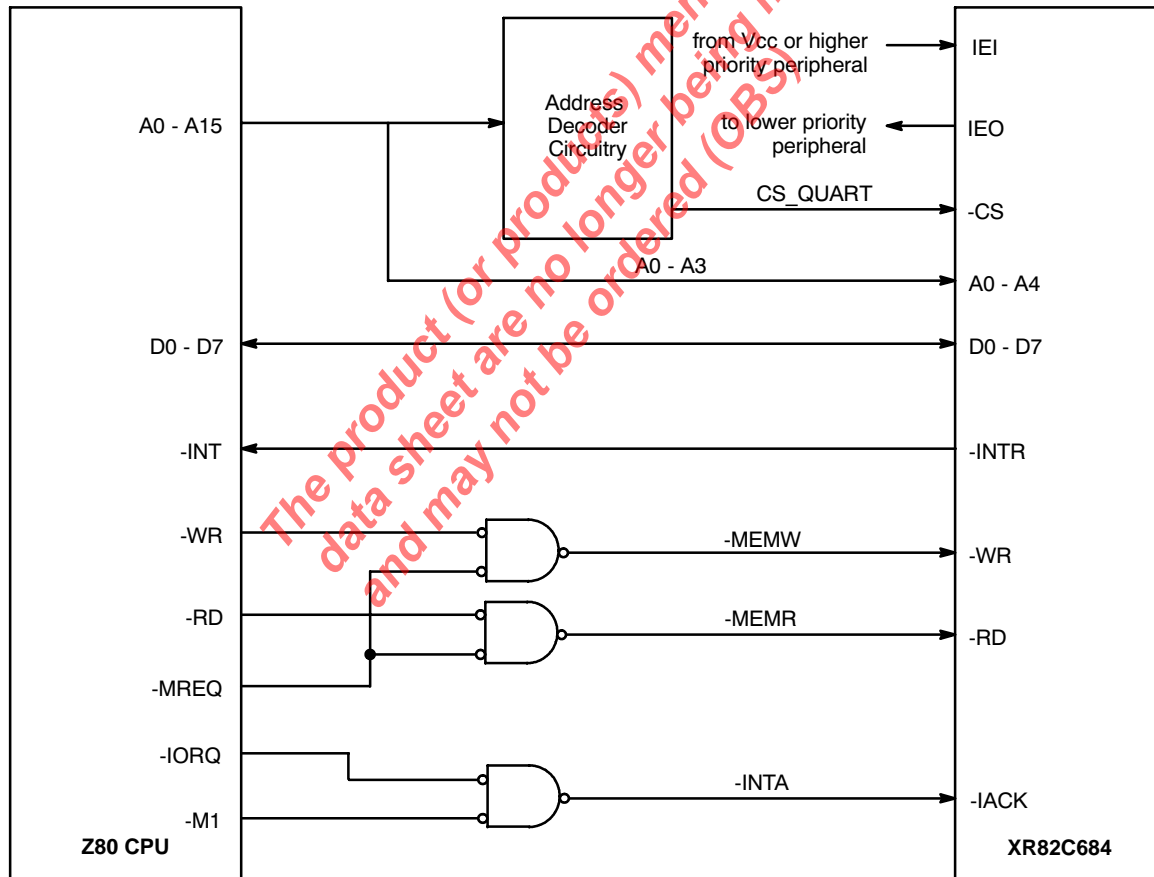


Figure 23. Schematic of an Approach to Interface the QUART to the Z-80 CPU (for Z-Mode Operation)

C.6.3.2 8086 Microprocessor

The 8086 microprocessor is a 16 bit microprocessor manufactured by Intel Corporation. *Figure 24* presents the pin out diagram of this IC. *Please note that in this figure, pins 24 - 31 have some additional labels, located off to the right of the package. These additional labels will be explained later in this text.*

Intel went to great lengths to keep the pin count of this IC low by multiplexing the functions of many of these pins. This device consists of a 16 bit Data Bus and a 20 bit Address Bus. The Data Bus is multiplexed with the lower 16 Address Bits (A0 - A15) to form AD0 - AD15. Address Bits A16 - A19 are multiplexed with status bits S3 - S6 to form A16/S3, A17/S4, A18/S5 and A19/S6. All of these pins are address lines during the first half of a memory cycle. However, during the second half of a memory cycle, these pins then take on their alternate functions (e.g., AD0 - AD15 becomes D0 - D15, A16/S3 - A19/S6 becomes S3 - S6). A second group of multiplexed pins is controlled by the MN/-MX input pin. When this pin is high, the "min" mode is selected and pins 24 through 31 take on the control definitions shown under the MN/-MX = 1 column in *Table 11*. When the 8086•P operates in this mode, it presents a control bus very similar to that of the 8085•P, and requires only an address latch and a clock generator to form a CPU module.

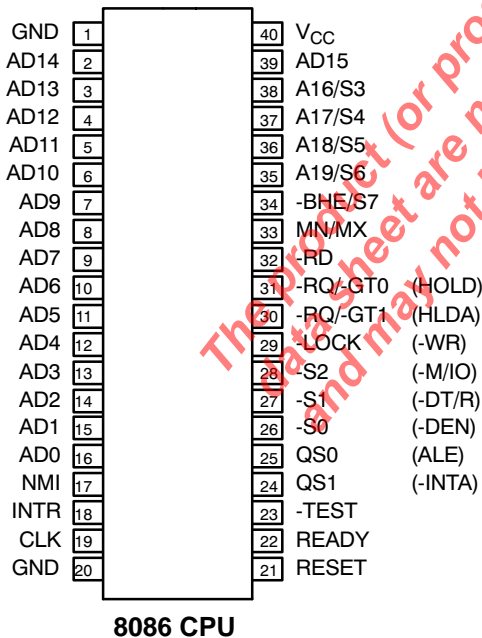


Figure 24. Pin Out of the 8086 Microprocessor Device

When MN/-MX is low, the 8086•P is operating in the "max" mode. This mode is intended for more complex

applications in which the 8086P requires support from the 8087 numeric data processor (NDP). In this mode, a special bus controller (the 8288) is required to generate the memory and I/O control bus signals.

The 8086•P contains two interrupt request inputs: INTR and NMI. NMI is the active-high "non-maskable" interrupt request input; and INTR is the "maskable" interrupt request input. If the 8086•P is operating in the "min" mode, then the -INTA (Interrupt Acknowledge) pin is available on Pin 24 (see *Figure 20*). However, if the 8086•P is operating in the "max" mode, then the -INTA signal must be derived from the -S0, -S1, and -S2 pins via the 8288 bus controller. *Table 12* presents the processor status and 8288 active outputs based on the -S0, -S1, and -S2 "max" mode status signals.

Pin Number	MN/-MX = 1 (Min Mode)	MN/-MX = 0 (Max Mode)
24	HOLD	-RQ/-GT0
25	HLDA	-RQ/-GT1
26	-WR	-LOCK
27	-M/I/O	-S2
28	DT/R	-S1
29	-DEN	-S0
30	ALE	QS0
31	-INTA	QS1

Table 11. MN/-MX Mode and Function of Pins 24 - 31 of 8086 CPU Device

-S2	-S1	-S0	Processor State	8288 Active Output
0	0	0	Interrupt Acknowledge	-INTA
0	0	1	Read I/O Port	-IORC
0	1	0	Write I/O Port	-IOWC
0	1	1	Halt	None
1	0	0	Code Access	-MRDC
1	0	1	Read Memory	-MRDC
1	1	0	Write Memory	-MWTC
1	1	1	Passive	None

Table 12. 8086 Processor State/8288 Bus Controller Active Output as a Function of -S0, -S1 and -S2

Figure 25 and *Figure 26* present the 8086 CPU Mode, when operating in the "min" and "max" modes, respectively.

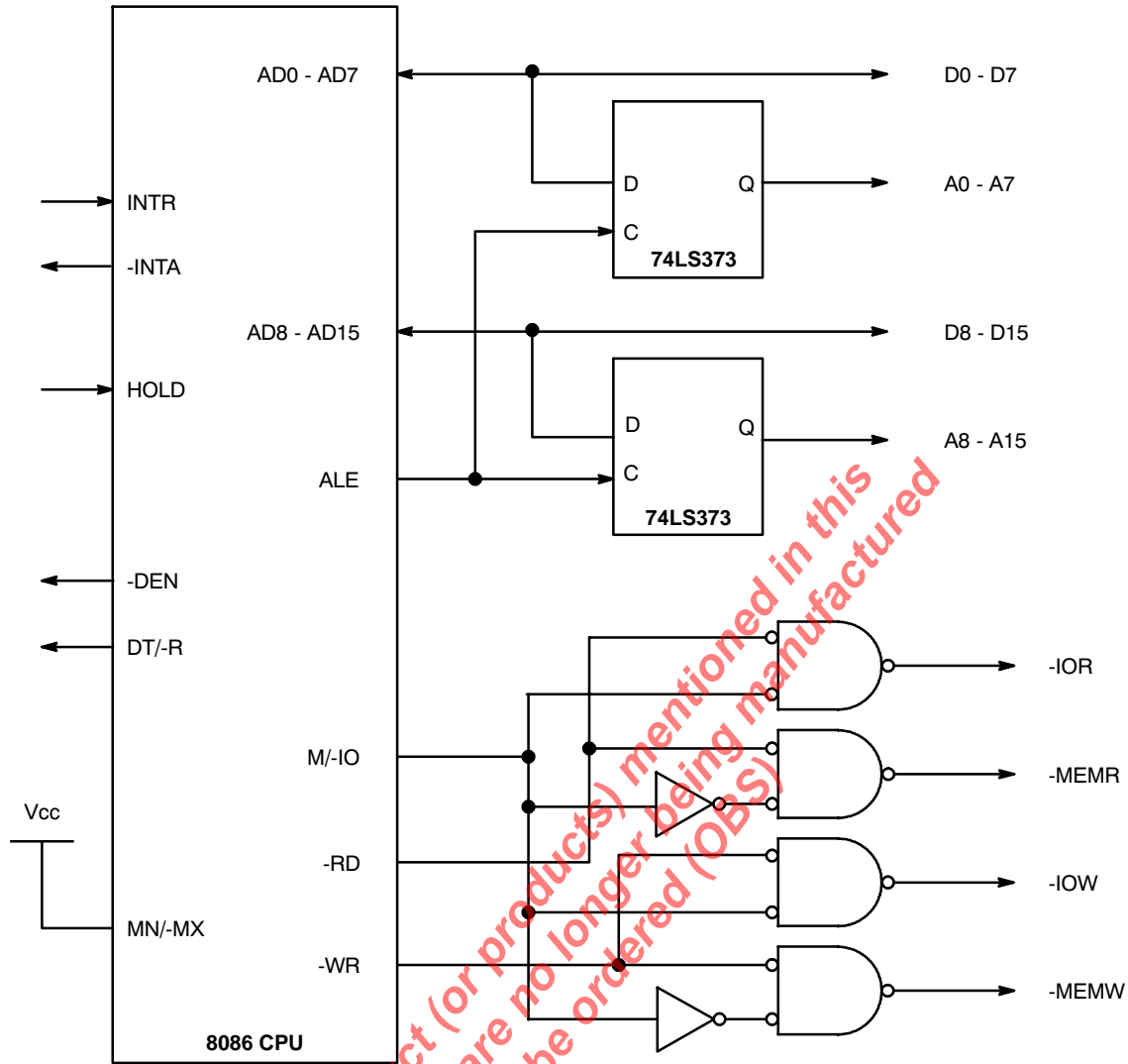


Figure 25. Schematic of the 8086 CPU Mode (Min Mode)

The product (or products) mentioned in this data sheet are no longer being manufactured and may not be ordered (OBS)

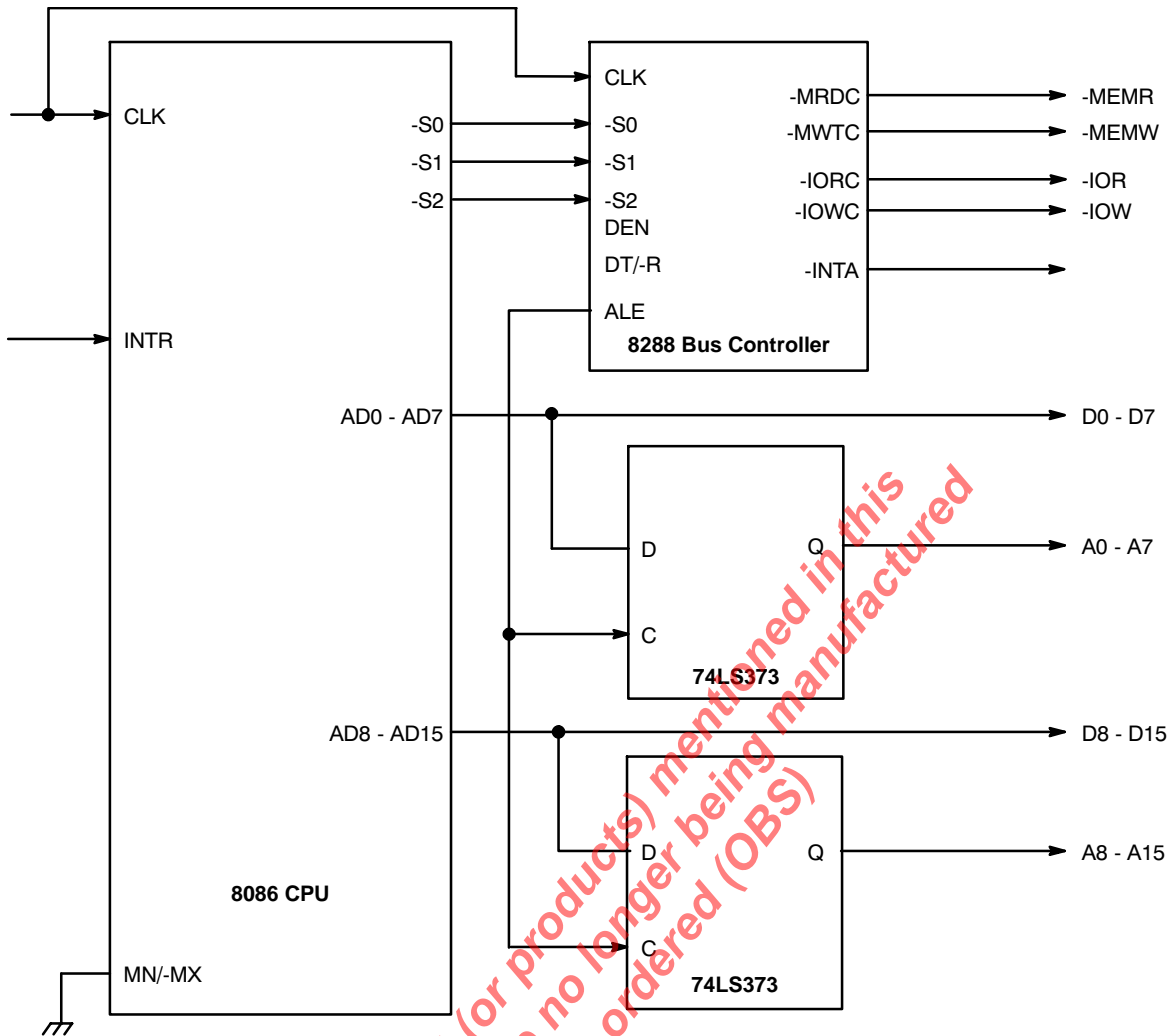


Figure 26. Schematic of the 8086 CPU Mode (Max Mode)

8086 • C Interrupt Processing

If a peripheral component requires interrupt service from the CPU, it will assert the CPU's INTR input (by toggling it high). Once the CPU has completed its current instruction, it will assert the -INTA pin (if operating in the "min" mode) or set the -S0, -S1, and -S2 pins to "0". In either case, the -IACK input of the peripheral will be asserted. Once this happens, the interrupting peripheral is expected to place an "interrupt vector" byte on D0 - D7 of the data bus. The 8086•P will read this data and multiply this value by the number 4 in order to determine the location of the interrupt service routine in memory.

Since this "interrupt vector" is 8 bits wide, the 8086•P can accommodate up to 256 different interrupt vectors (0 - 255). Additionally, since each vector is multiplied by "4", the user is expected to reserve the first 1K byte of memory for the Interrupt Service Routines/Jump Table.

Figure 27 presents a schematic of the XR82C684 QUART interfacing to a "min" Mode 8086 CPU device. Please note that the QUART has been configured to operate in the Z-Mode. Therefore, the user must account for the IEI input to the QUART device.

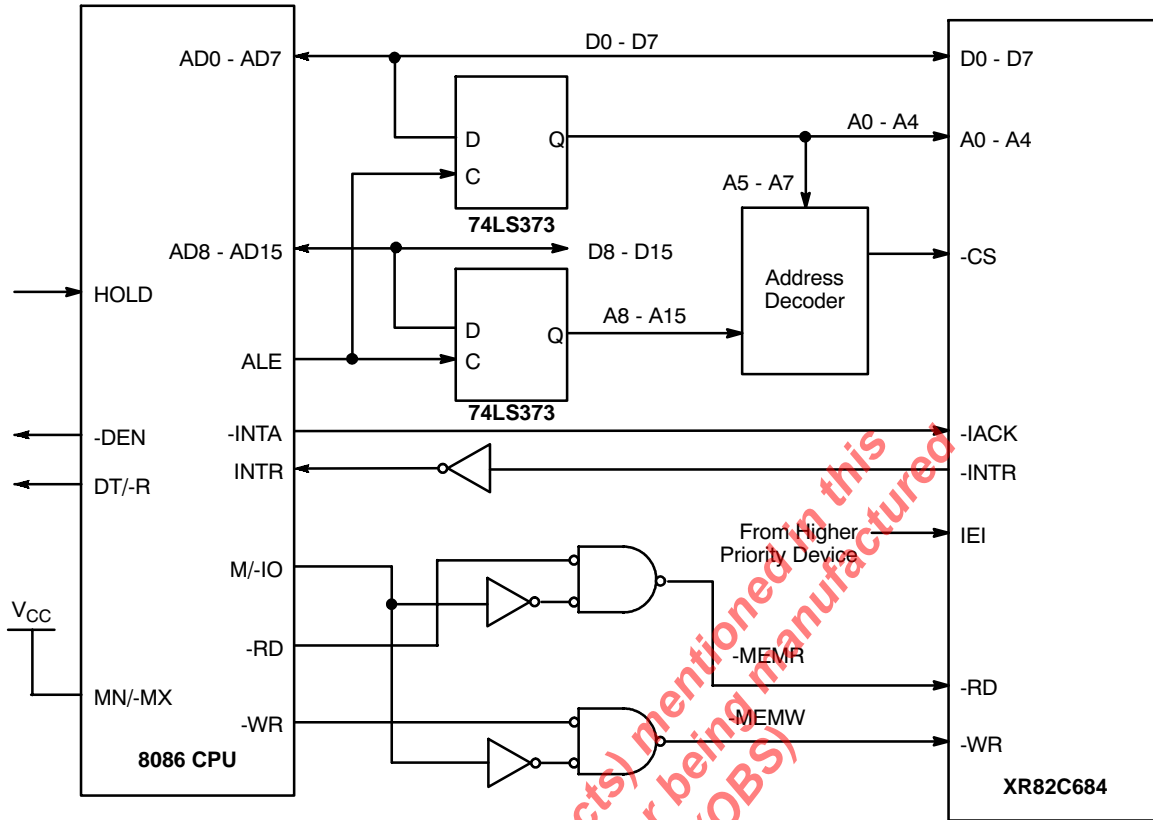


Figure 27. Schematic of the XR82C684 QUART Device Interfacing to a “Min” Mode 8086 CPU Device

D. TIMING CONTROL BLOCK

The Timing Control Block allows to the user to specify the bit rates that he/she wishes to transmit and receive data at within each channel. The Timing Control Block consists of the following elements:

- Oscillator Circuit
- 2 Bit Rate Generators
- 2 - 16 bit Counter/Timers
- 8 - External Input Pins (to clock the Transmitters and Receivers, directly)
- Four Clock Select Registers (32:1 MUXs)

Because of the complexity of the QUART's Timing Control Block, the overall block diagram, for this block has been divided into two parts, as presented in Figure 28 and Figure 28A.

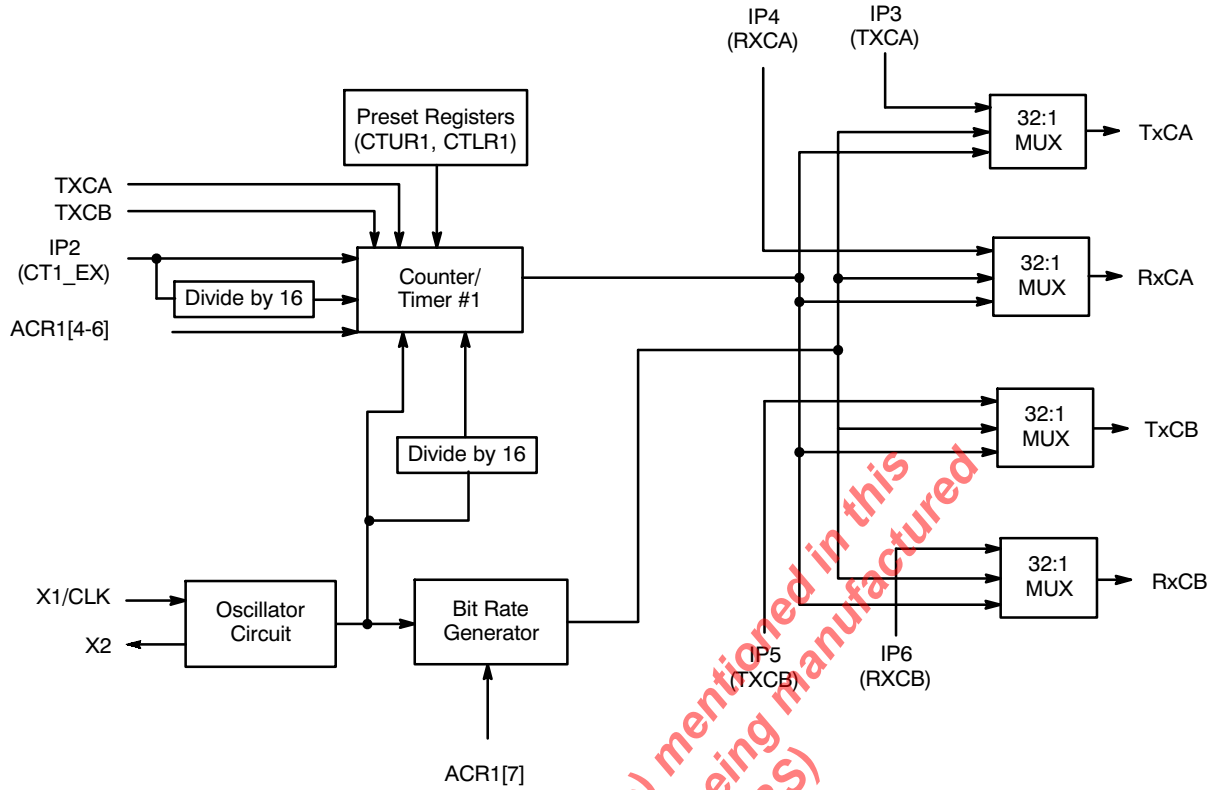


Figure 28. Block Diagram of the Portion of the QUART Timing Control Block Which Services Channels A and B

The product (or products) mentioned in this data sheet are no longer being manufactured and may not be ordered (OBS)

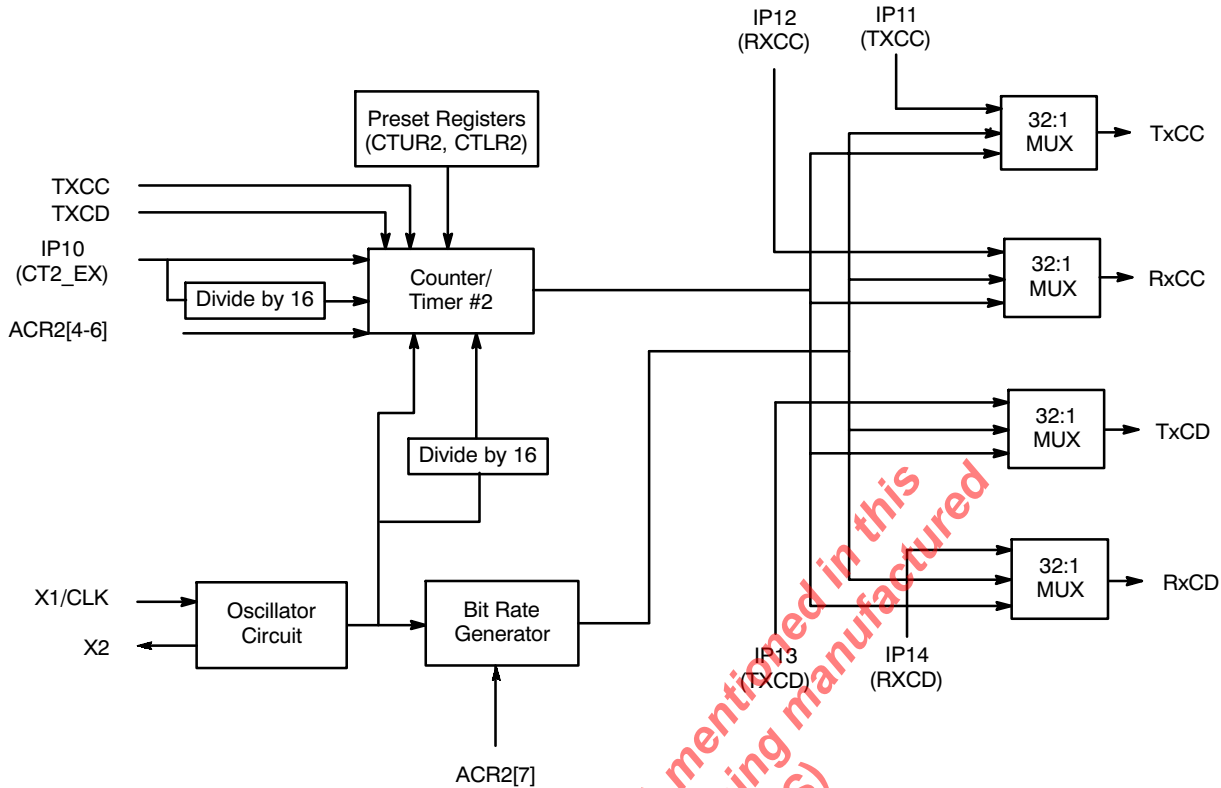


Figure 28A. Block Diagram of the Portion of the QUART Timing Control Block Which Services Channels C and D

Figure 28 presents a diagram of the portion of the Timing Control Block which services Channels A and B. Whereas, Figure 28A presents the diagram of the portion of the Timing Control Block which services Channels C and D. Please note that each “half” of the Timing Control Block consists of a 16-bit Counter/Timer, a Baud Rate Generator, a set of four external clock inputs and four 32:1 MUX’s. Each “half” of the Timing Control Block shares the output of the Oscillator Circuit.

Each element of the Timing Control Block is discussed below:

D.1 Oscillator Circuit:

A crystal oscillator is typically connected externally across the X1/CLK and X2 pins. The Oscillator Circuit

(within the chip) functions as the load for the resonant (crystal) oscillator, and buffers the resulting oscillating signal, for use by both of the Bit Rate Generators, and Counter/Timers. A crystal or TTL signal frequency of between 2 MHz and 8 MHz is required for proper operation of the QUART. However, a crystal or TTL signal frequency of 3.6864 MHz is required for the generation of the standard bit rates, presented in Table 15, by the Bit Rate Generators. Additionally, a frequency of 7.372 MHz is required for the generation of the standard bit rates, presented in Table 15A, by the Bit Rate Generators. Figure 29 presents two recommended schematics for the XTAL Oscillator circuitry for crystals with frequencies of 3.6864 and 7.372 MHz.

C1: 10pF + (Stray < 5pF)
 C2: 10pF + (Stray < 5pF)
 R1: 100ohm
 R2: 100ohm

C1: 10 - 15pF + (Stray < 5pF)
 C2: 0 - 5pF + (Stray < 5pF)

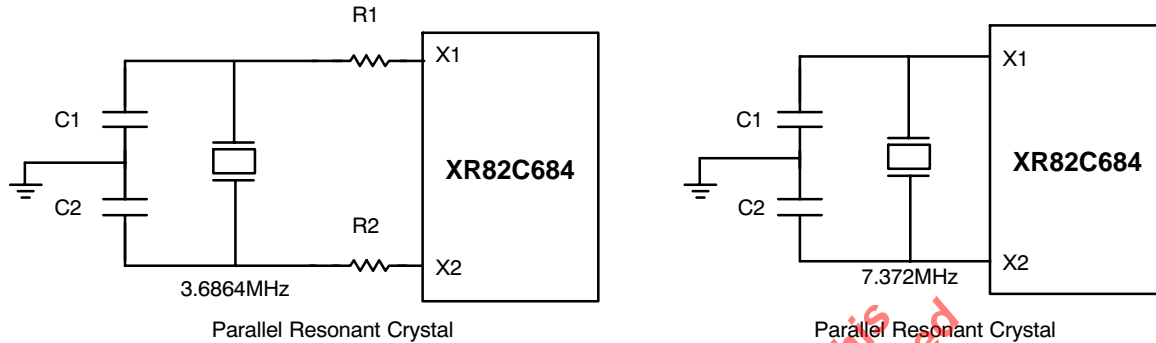


Figure 29. Recommended Schematics for the XTAL Oscillator Circuitry

Note: The user also has an option to drive the Oscillator Circuit with a TTL input signal, in lieu of using a crystal oscillator. If this approach is used, the TTL must be driven into the X1/CLK pin, and the X2 pin must be left floating.

If the user desires to run numerous QUARTs from a single crystal oscillator, Figure 30 presents an approach and the necessary circuitry to accomplish this objective.

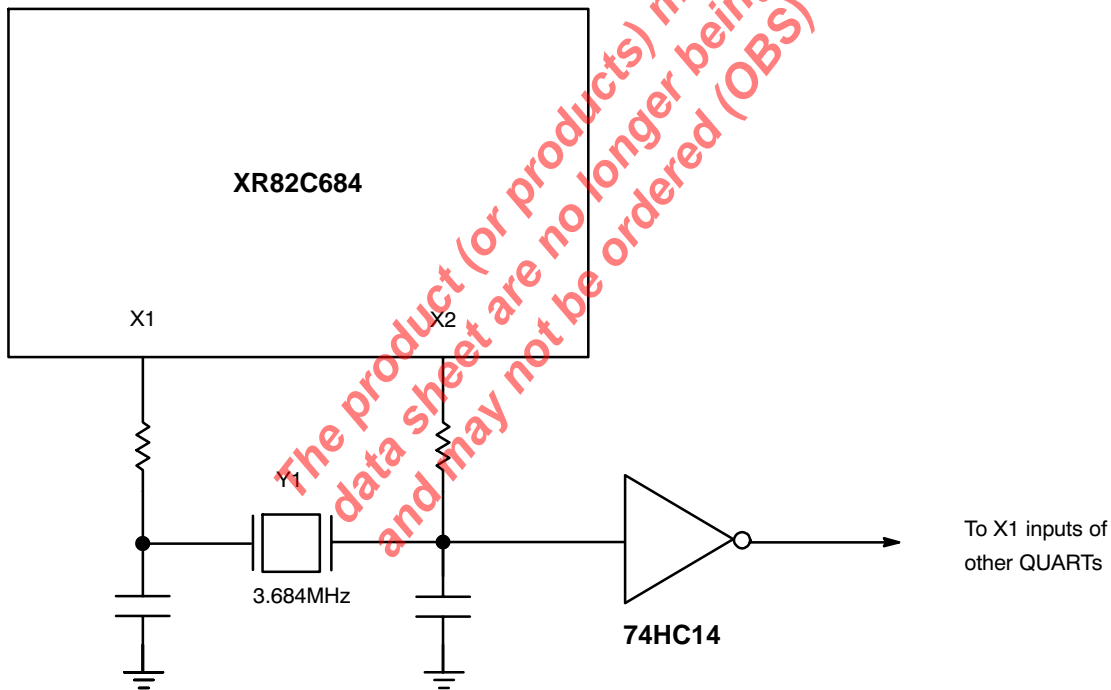


Figure 30. A Recommended Schematic to Drive Multiple QUARTs from the Same Crystal Oscillator

Note: The user is urged not to use the 74LS14 Schmitt Trigger Inverter in lieu of the 74HC14 device. The input of the 74LS14 tends to load down the oscillating signal from the QUART, to the point that the Schmitt Trigger inverter can no longer change state or respond to the oscillator signal.

D.2 Bit Rate Generator

Each of the two BRGs (Bit Rate Generators) accepts the timing output of the Oscillator Circuit and generate the clock signal for 33 commonly used data communication bit rates ranging from 50 bps up to 230.4 kbps. *Please note that the BRGs will only generate these standard bit rates if the Oscillator Circuit is running at 3.6864 MHz (for the bit rates presented in Table 15) or running at 7.3728 MHz (for the bit rates presented in Table 15A). The actual*

clock frequencies output from the BRGs are at 16 times these rates.

The user can select one of two different sets of bit rates, to be generated from the BRG. This selection is made by setting or clearing ACR1[7] or ACR2[7]. A listing of these sets of Bit Rates, from the BRG, is presented in the discussion of the Clock Select Registers (CSRs) in Section D.5. A block diagram of the BRG circuitry for Channel pairs A and B, and for Channel pairs C and D are presented in Figure 31 and Figure 31A, respectively.

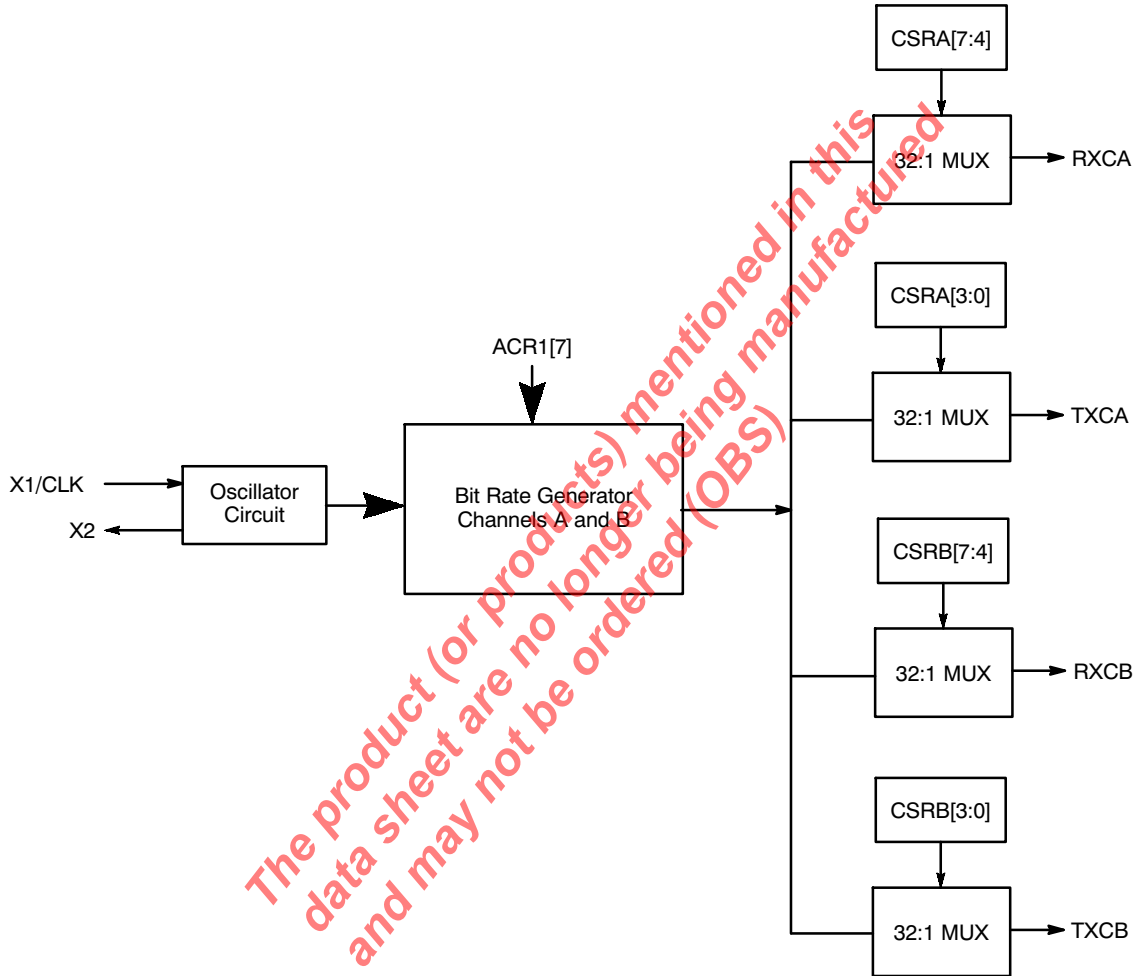


Figure 31. Block Diagram of the Bit Rate Generator portion of the Timing Control Block, for Channels A and B

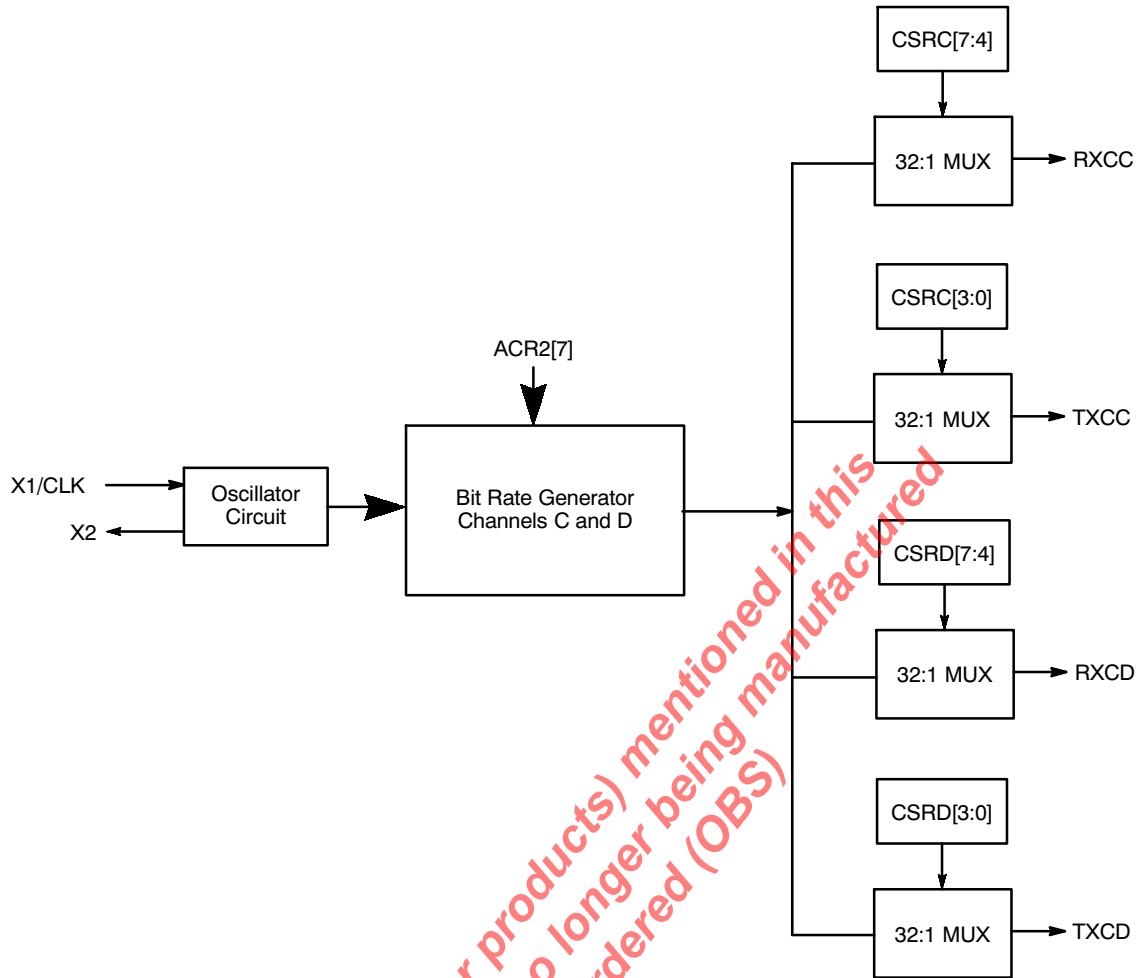


Figure 31A. Block Diagram of the Bit Rate Generator portion of the Timing Control Block, for Channels C and D

D.3 Counter/Timers

The Timing Control Block also contains two 16 bit Counter/Timers (C/T#1 and C/T#2). Each C/T is a programmable 16 bit down-counter which can use one of several timing sources as its input. Figure 32 and Figure 32A presents a block diagram of the circuitry surrounding C/T#1 and C/T#2, respectively. The selection of these timing sources for Counter/Timers #1 and #2 can be made by writing the appropriate data to

ACR1[6:4] and ACR2[6:4], respectively. Please see Table 13 and Table 13A for the relationship between the Counter/Timer mode, the Timing Source and ACR[6:4] for Counter/Timers #1 and #2, respectively. The C/T output, for both C/Ts, is available to the Clock Select Registers for use as a programmable bit rate generator for all four Transmitters and Receivers. Please note that the QUARTs, packaged in the 44 pin PLCC have limited options in regards to Timing Source, as depicted in Table 13 and Table 13A.

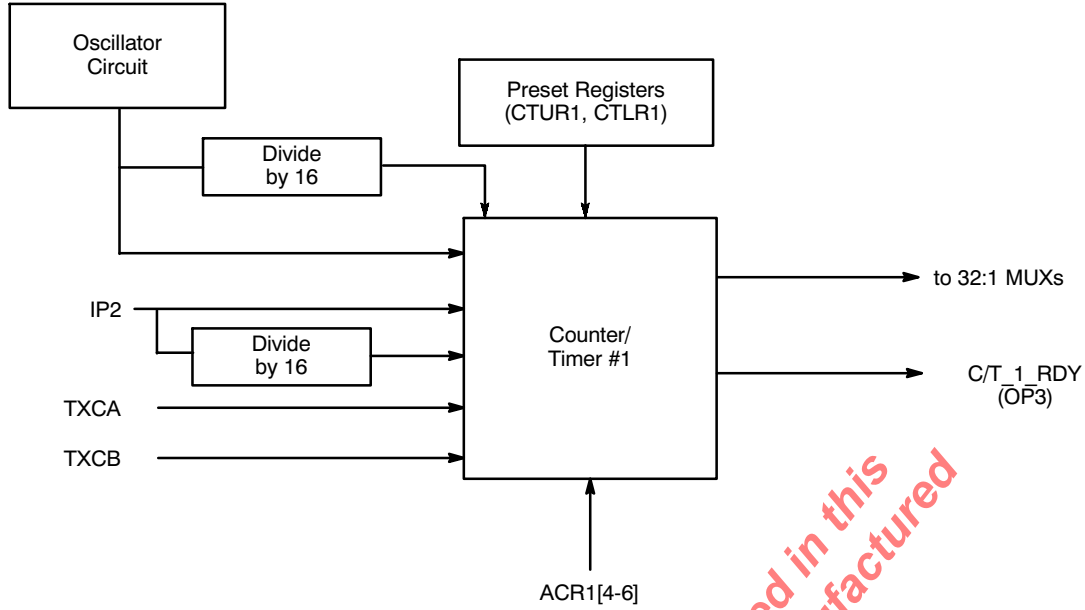


Figure 32. A Block Diagram of the Circuitry Associated with Counter/Timer #1

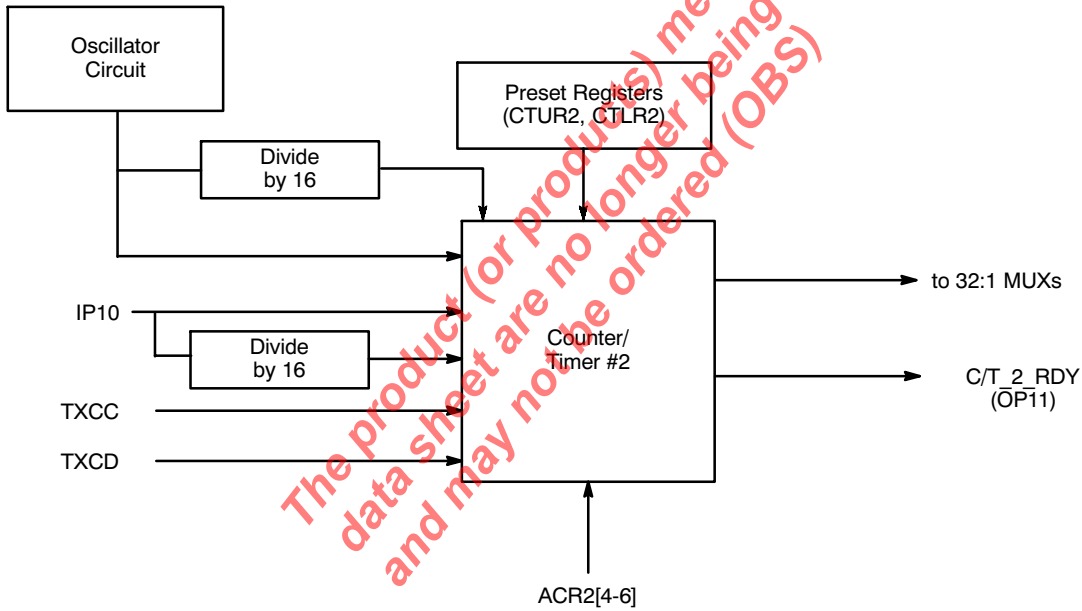


Figure 32A. A Block Diagram of the Circuitry Associated with Counter/Timer #2

Bit 6	Bit 5	Bit 4	C/T Mode	Timing Source
0	0	0	Counter	External Input - IP2
0	0	1	Counter	TXCA 1X - Clock of Channel A Transmitter
0	1	0	Counter	TXCB 1X - Clock of Channel B Transmitter
0	1	1	Counter	X1/CLK Input Divided by 16
1	0	0	Timer	External Input - IP2
1	0	1	Timer	External Input - IP2, Divided by 16
1	1	0	Timer	X1/CLK Input
1	1	1	Timer	X1/CLK Input Divided by 16

Note: The “shaded” options are only available in the 68 pin PLCC.

Table 13. ACR1[6:4] Bit Field Definition - C/T#1

Bit 6	Bit 5	Bit 4	C/T Mode	Timing Source
0	0	0	Counter	External Input - IP10
0	0	1	Counter	TXCC 1X - Clock of Channel C Transmitter
0	1	0	Counter	TXCD 1X - Clock of Channel D Transmitter
0	1	1	Counter	X1/CLK Input Divided by 16
1	0	0	Timer	External Input - IP10
1	0	1	Timer	External Input - IP10, Divided by 16
1	1	0	Timer	X1/CLK Input
1	1	1	Timer	X1/CLK Input Divided by 16

Note: The “shaded” options are only available in the 68 pin PLCC.

Table 13A. ACR2[6:4] Bit Field Definition - C/T#2

The text in Sections D.3.1 and D.3.2 generically refers to the Counter/Timer or C/T. However, this text applies to Counter/Timer #1 and #2 equally. Where appropriate, distinctions will be made between the two C/Ts.

D.3.1 Timer Mode:

Please note that of the two C/T Modes, the Timer Mode is the only mode which is relevant to the function of Bit Rate Selection. However, for completeness, the Counter Mode is also discussed below.

In the Timer mode, the C/T acts as a programmable divider and generates a square wave whose period is

twice the value (in clock periods) of the contents of the Counter/Timer Registers, CTUR and CTLR. The C/T can be used as a programmable bit rate generator in order to produce a 16X clock for any bit rate not provided by the BRG. The square-wave, originating from C/T#1 is output on Output Port pin, OP3. Whereas, the square-wave, originating from C/T#2 is output on Output Port pin, OP11.

If the C/T is programmed to operate in the Timer mode, the frequency of the resulting C/T square wave can be expressed as follows:

C/T Output Frequency =

$$\frac{\text{Frequency of Selected Timing Source}}{2 \cdot ([CTUR] \cdot 2^8 + [CTLR])}$$

where: [CTUR] = the contents of the CTUR register in decimal form

[CTLR] = the contents of the CTLR register in decimal form

Since the C/T Output is treated as a 16X clock signal by the QUART circuitry, the resulting bit rate is 1/16 the frequency of the C/T Output signal. Therefore, the bit rate, derived from the C/T can be expressed as follows:

$$\frac{\text{Frequency of Selected Timing Source}}{32 \cdot ([CTUR] \cdot 2^8 + [CTLR])}$$

The contents of the CTUR and CTLR registers may be changed at any time, but will only begin to take effect at the next half cycle of the square wave. The C/T begins operation using the values in CTUR/CTLR upon receipt of the Address-Trigger “START COUNTER” command (See Table 1).

The C/T then runs continuously. A subsequent “START COUNTER” command causes the C/T to terminate the current timing cycle and begin a new timing cycle using the current values stored in CTUR and CTLR. The COUNTER READY status bit, in the Interrupt Status Registers (ISR1[3] or ISR2[3]), is set once each cycle of the square wave. This allows the use of the C/T as a periodic interrupt generator, if the condition is programmed to generate an interrupt via the interrupt mask registers (IMR1 and IMR2). The ISR1[3] and/or ISR2[3] can be cleared by issuing the appropriate address-triggered “STOP COUNTER” command (See Table 1). In the TIMER mode, however, the command does not actually stop the C/T.

D.3.2 COUNTER MODE

In the Counter Mode, the C/T counts down the number of pulses written into CTUR/CTLR, beginning at the receipt of a “START COUNTER” command. The COUNTER/READY status bit (ISR1[3] or ISR2[3]) is set upon reaching the count of 0000₁₆. The C/T will continue to count past the 0000₁₆ and underflow (with the next count being FFFF₁₆) until it is stopped by the CPU via a “STOP COUNTER” command. If Output Port pin OP3 is programmed to be the output of C/T#1, the output will remain high until the terminal count is reached, at which time the output goes low. It then returns to the high state and ISR1[3] is cleared when the C/T is stopped (via the “STOP COUNTER 1” command). A “START COUNTER” command while the counter is running restarts the counter with the values in CTUR/CTLR. The CPU may change the contents of CTUR or CTLR at any time but the new count takes effect only on after the subsequent START COUNTER command. If new values are not programmed the previous values are preserved and used for the next cycle.

D.4 External Inputs

The QUART (in the 68 pin PLCC package only) allows for some of the Input Port pins (IP3 - IP6 and IP11 - IP14) to be used as direct external inputs to the Timing Control Block as timing sources for the Transmitters and Receivers of all four channels. These options are not available in the 44 pin PLCC. *Please note that the user can specify whether a clock signal, applied to one of these external inputs, is a 1X or a 16X clock signal; via the Clock Select Registers (see below). For a more detailed discussion on the Input Port pins and their function, please see Section E.*

D.5 Clock Select Registers, CSRA, CSRB, CSRC, and CSRD

In Figure 32 and Figure 32A, each nibble of the Clock Select Registers are the 32:1 MUX's. The Clock Select Registers are the means that the user can select which clock signals will drive the Transmitters and Receivers of both channels. The CSRs allow the user to select the 33 different standard bit rates from the BRG, the Counter/Timer output, or to use an external input as the timing source for the Transmitters and Receivers. Table 14, Table 15 and Table 15A present the relationship between the contents of the CSRs and the clock source driving the Transmitters and Receivers.

Bit 7	Bit 6	Bit 5	Bit 4	Bit 3	Bit 2	Bit 1	Bit 0
Receiver Clock Select See Table 15 or Table 15A				Transmitter Clock Select See Table 15 or Table 15A			

Table 14. Bit Format of the Clock Select Registers, CSRA and CSRB

The product (or products) mentioned in this data sheet are no longer being manufactured and may not be ordered (OES)

Field				Bit Rate			
CSR[7:4] CSR[3:0]				ACR1[7] = 0 or ACR2[7] = 0		ACR1[7] = 1 or ACR2[7] = 1	
				X = 0	X = 1	X = 0	X = 1
0	0	0	0	50	75	75	50
0	0	0	1	110	110	110	110
0	0	1	0	134.5	134.5	134.5	134.5
0	0	1	1	200	150	150	200
0	1	0	0	300	3600	300	3600
0	1	0	1	600	14.4K	600	14.4K
0	1	1	0	1200	28.8K	1200	28.8K
0	1	1	1	1050	57.6K	2000	57.6K
1	0	0	0	2400	115.2K	2400	115.2K
1	0	0	1	4800	4800	4800	4800
1	0	1	0	7200	1800	1800	7200
1	0	1	1	9600	9600	9600	9600
1	1	0	0	38.4K	19.2K	19.2K	38.4K
1	1	0	1	Timer	Timer	Timer	Timer
1	1	1	0	External - 16X	External - 16X	External - 16X	External - 16X
1	1	1	1	External - 1X	External - 1X	External - 1X	External - 1X

Note: The "shaded" options are only available in the 68 pin PLCC

Table 15. Bit Rate Selection via the Clock Select Registers, CSR[3:0] and CSR[7:4] for Oscillator frequency of 3.6864 MHz

Field				Bit Rate			
CSR[7:4] CSR[3:0]				ACR1[7] = 0 or ACR2[7] = 0		ACR1[7] = 1 or ACR2[7] = 1	
				X = 0	X = 1	X = 0	X = 1
0	0	0	0	100	150	150	100
0	0	0	1	220	220	220	220
0	0	1	0	269	269	269	269
0	0	1	1	400	300	300	400
0	1	0	0	600	7200	600	7200
0	1	0	1	1200	28.8K	1200	28.8K
0	1	1	0	2400	57.6K	2400	57.6K
0	1	1	1	2100	115.2K	4000	115.2K
1	0	0	0	4800	230.4K	4800	230.4K
1	0	0	1	9600	9600	9600	9600
1	0	1	0	14.4K	3600	3600	14.4K
1	0	1	1	19.2K	19.2K	19.2K	19.2K
1	1	0	0	76.8K	38.4K	38.4K	76.8K
1	1	0	1	Timer	Timer	Timer	Timer
1	1	1	0	External - 16X	External - 16X	External - 16X	External - 16X
1	1	1	1	External - 1X	External - 1X	External - 1X	External - 1X

Note: The "shaded" options are only available in the 68 pin PLCC

Table 15A Bit Rate Selection via the Clock Select Registers, CSR[3:0] and CSR[7:4] for Oscillator frequency of 7.3728 MHz

Please note that *Table 15* and *Table 15A* calls for the user to specify the following parameters:

ACR1[7] and ACR2[7] - the most significant bit (MSB) of the Auxiliary Control Registers

- X - The Extend bit
- ACR1[7] and ACR2[7] are the MSB of the Auxiliary Control Register, and can easily be programmed by writing 1xxxxxxb or 0xxxxxxb to the ACR, in order

to set or clear, respectively. (Note: the b suffix denotes a binary expression. x = don't care value).

X - The Select Extend bit

Each transmitter and receiver, within the QUART has an extend bit that can be set or cleared by writing the appropriate data to the channel's Command Register. Although this information can be found in *Table 2*, *Table 16* summarizes these commands, and their effect on the Extend bits.

Register	Contents	Resulting Action
Command Register A, CRA	08	Set Rx BRG Select Extend Bit (X = 1)
Command Register A, CRA	09	Clear Rx BRG Select Extend Bit (X = 0)
Command Register B, CRB	0A	Set Tx BRG Select Extend Bit (X = 1)
Command Register B, CRB	0B	Clear Tx BRG Select Extend Bit (X = 1)

Table 16. Command Register Controls Over the Extend Bit

Note: If the user programs either nibble of the Clock Select Register (CSRn[7:4] or CSRn[3:0]) with values ranging from 0₁₆ to C₁₆, then the user is using the BRG as a source for timing. However, these standard bit rates (presented in *Table 15*) apply only if the X1/CLK pin is driven with a 3.6864 MHz signal. If a signal with a different frequency (fo) is applied to the X1/CLK pin, then the QUART channel is running at the following baud rate:

$$\text{Actual baud Rate} = \frac{[\text{Table 15 Baud Rate Value}] \cdot fo}{3.6864 \text{ MHz}}$$

provided that fo is between 2.0 MHz and 7.3728 MHz.

Additionally, as in the case for standard baud rates, the actual frequency of the clock signal will be 16 times these values.

Likewise, the bit rates, from the BRGs as presented in *Table 15A* apply only if the X1/CLK pin is driven with a 7.3728MHz signal. If a signal with a different frequency (fo) is applied to the X1/CLK pin, then the QUART channel is running at the following baud rate.

$$\text{Actual baud Rate} = \frac{[\text{Table 15A Baud Rate Value}] \cdot fo}{7.3728 \text{ MHz}}$$

provided that fo is between 2.0 MHz and 7.3728 MHz.

Finally, the standard bit rates, generated by the BRGs, and presented in *Table 15* and *Table 15A*, apply only if the QUART is running in the "Direct Systems Clock" mode (see *Table 2*). If the QUART is running in the "Divided-Systems Clock" mode, then the baud rate will be one-half of that presented in *Table 15* and *Table 15A*.

1X vs 16X Clock Signals

The terms "1X Clock" and "16X Clock" have been applied throughout this text. Therefore, it is important to discuss their meaning and significance. A "16X clock" over-samples the received serial data by a factor of 16. Whereas a "1X clock" only samples the signals once per bit period. From this point one should correctly conclude that greater accuracy (lower bit error rates) are achieved via the use of the 16X clock in lieu of the 1X clock. The following paragraphs will clarify the reasons.

A receiver in one of the QUART channels is clocked by a local timing source (from the Timing Control Block). If this receiver is active and is receiving data from a remote serial transmitter, that transmitter is also clocked by its own local timing source. Hence, there is no guarantee that the clock frequency for the receiver is exactly the same as that for the remote transmitter. This is a characteristic of asynchronous serial data communication. Although the receiver and remote transmitter have been programmed to receive and transmit data at exactly the same baud rate, sufficient differences in the frequencies of the two clock sources (local receiver and remote transmitter) can contribute to bit errors in the receiving process, as presented in the following discussion.

Suppose that we have a serial data transmission system as depicted in *Figure 33*. This system consists of a remote transmitter (TX), and a local receiver (RX).



Figure 33. Example of a Serial Data Transmission System

Let us further assume that the Receiver is clocked by a source that is slightly faster than that of the Transmitter, and that the Receiver is only sampling the serial data once

per bit period. *Figure 34* presents the results of this phenomenon.

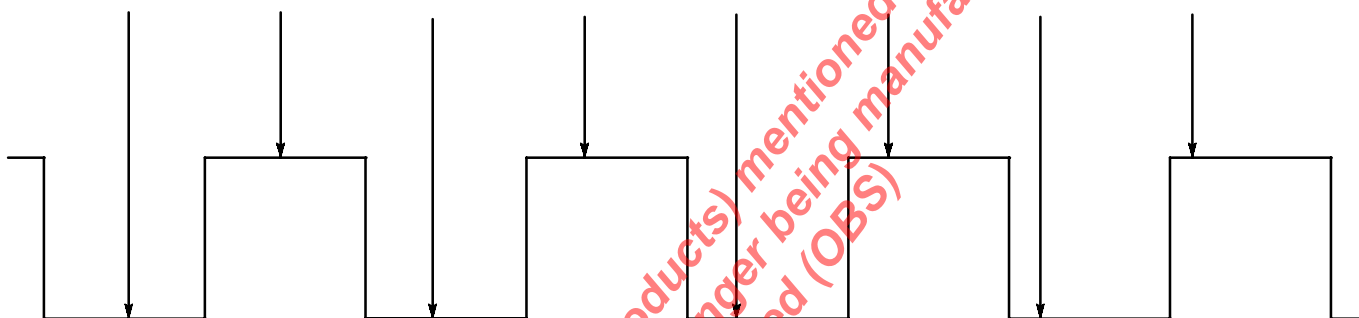


Figure 34. Receiver (1X) Sampling, if the RX Clock is Slightly Faster Than the TX clock

Figure 34 shows that the phase relationship between the Receiver's sampling point and each serial data bit is changing. In this case, the Receiver is sampling each serial data bit, earlier and earlier in the bit period, with each

successive data bit. This phenomenon is known as receiver drift. If there is no correction for receiver drift, there will be many errors in the transmission and reception of this serial data, as depicted below in *Figure 35*.

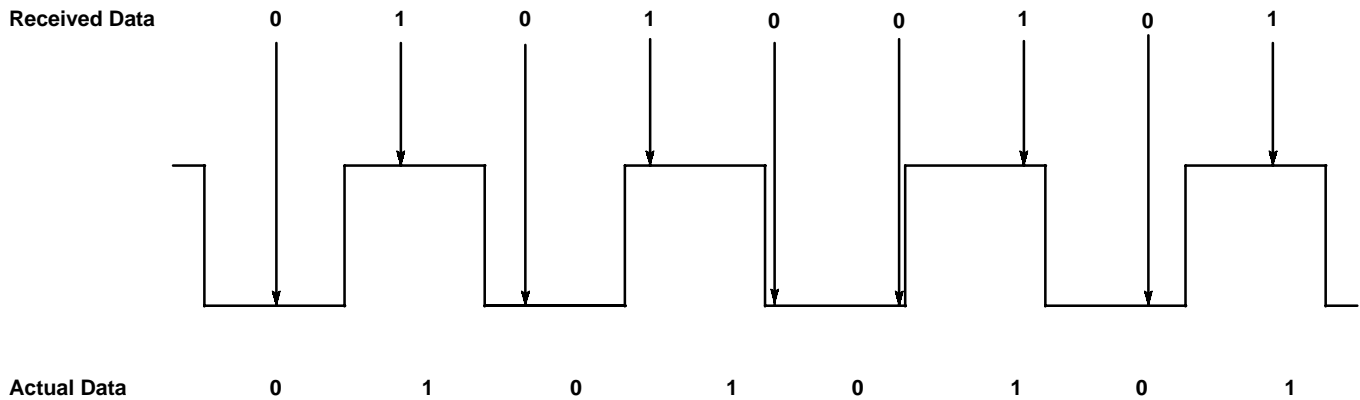


Figure 35. Illustration of an Error Due to Receiver Drift

Figure 35 shows the Receiver sampling an eight bit string of data with bit pattern 0101010. It is interesting to note that, in this figure, the Receiver sampled 01010010. It should be noted that Receiver drift can also be a problem if the local Receiver is slower than the remote Transmitter clock.

In general the bit-error-rate, for this “uncorrected” system is a function of the timing differences between the TX and RX local clock signals. However, in order to correct for Receiver Drift and to minimize the BER during serial data transmission, many UARTs in the market place, employ Receiver Oversampling of the START bit. When this feature is employed, the Receiver, upon detection of the START bit, will begin oversampling this START bit by some integer factor. Typically, for most present day UARTs, this over-sample factor is 16. (The XR82C684

device also accommodates 16X receiver oversampling of the START bit). Therefore, in these devices, when the Receiver detects the occurrence of a START bit, it (the Receiver) will begin oversampling this START bit by a factor of 16. However, after 7 16X clock periods have elapsed, the receiver will assume this point (within the START bit) to be the mid point of the bit period, and will cease oversampling of the START bit and of the subsequent data. From this point, through the end of the character, the Receiver will sample the serial data stream at the 1X rate. Stated another way, once the Receiver has reached, what it believes to be the mid-point of the START bit, the receiver will, from that point, begin sampling the serial data at 1-bit period interval (see Figure 36). After the Receiver has received the STOP bit, it will await the occurrence of the START bit. Once the START bit has been detected, this oversampling procedure is repeated.

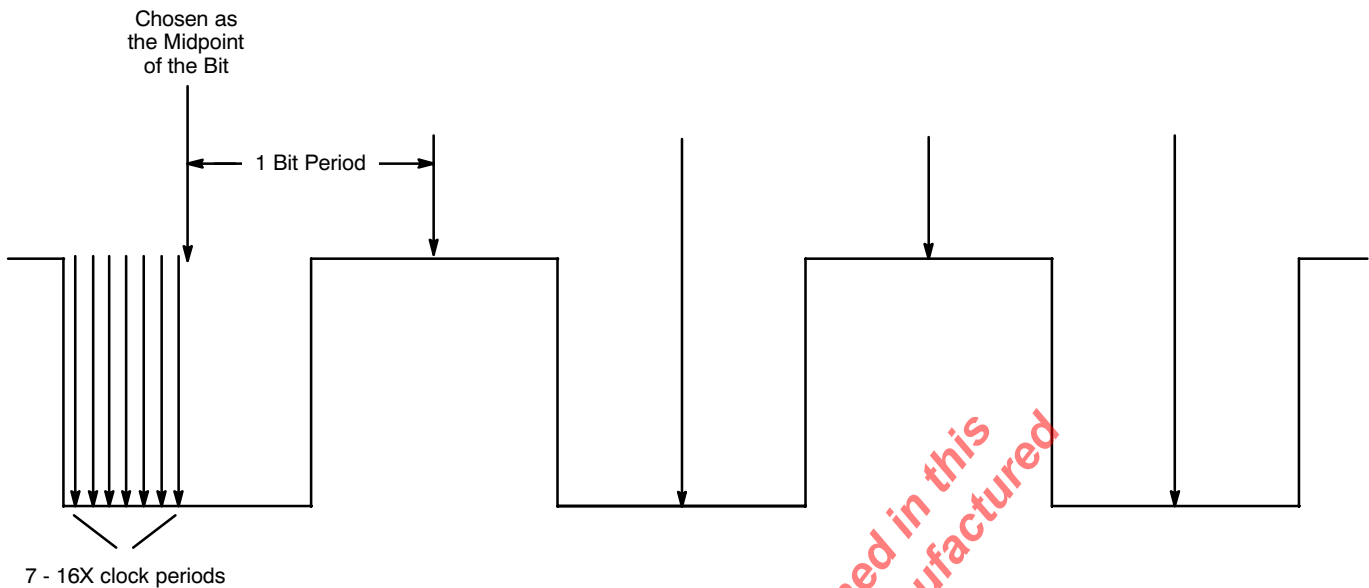


Figure 36. The Typical Sampling Pattern of Each Receiver Within the XR82C684 Device

The oversampling technique mitigates many of the serial data bit errors by attempting to adjust the receiver sampling point, to near the midpoint of the bit periods, on a character to character basis. This approach is successful for two reasons:

1. It offers periodic correction to the Receiver sampling point
2. It limits the Receiver drift phenomenon (between sampling point adjustments) to typically at most 12 bits (8 bit character + parity and STOP bits).

Therefore, if the user selects to receive data at a baud rate of 9600 baud; upon detection of the START bit, the Receiver will begin sampling the data at $(9600 \times 16) = 153,600$ Hz. However, once the Receiver has oversampled up to the 7th 153.6 kHz clock pulse, it will mark this location as the midpoint of the START bit. From this point on, the 153.6 kHz clock signal is divided by 16 to generate the sample clock (9600 Hz) for the remaining data and overhead bits of the character.

The XR82C684 devices gives the user the option to declare an external input clock signal as either a 1X or 16X clock signal. Whenever the user is given a choice to use either the 1X or 16X clock signal (per the Clock Select Registers), the user is advised to always use the 16X clock, in order to mitigate the effects of receiver drift. The

user is further advised never to use the 1X clock features of the QUART, unless the incoming serial data stream is synchronous with the Receiver (1X) clock.

D.6 Application Examples using the Timing Control Block

In order to clarify the roles of the assets within the Timing Control Block, three examples are included.

Example A: Using the BRG

Suppose that the user wishes to receive and transmit data at a rate of 115.2 kbps via Channel A. The user must do the following:

1. Use a 3.6864 MHz crystal oscillator across the X1/CLK and X2 pins; or driving a 3.6864 MHz TTL signal into the X1/CLK pin (with the X2 pin floating).

2. Write $0A_{16}$ to Command Register A.

This step will set the Transmitter BRG Select Extend bit ($X = 1$).

3. Write 08_{16} to Command Register A.

This step will set the Receiver BRG Select Extend bit ($X = 1$).

4. Write $1xxxxxxb$ to ACR1

This step selects "Bit Rate" Set #2 per *Table 15* of this data sheet.

Where the b suffix denotes a binary expression, and x denotes a “don’t care” value for the binary expression.

5. Write 88_{16} to CSRA.

This step sets the Receive and Transmit bit rate for Channel A to 115.2 kbps (per *Table 14* and *Table 15*).

Example B: Programming the Bit Rate via the Counter/Timer

Suppose the user wishes to transmit and receive data at 62.5 kbps via Channel B. *Please note that this particular bit rate is not offered by the BRG. In this case the user can do the following.*

1. Drive a 4 MHz TTL signal into the X1/CLK pin, while the X2 pin is left floating.

2. Write 00_{16} to CTUR1 and 02_{16} to CTRL1.

This step results in C/T #1 generating a square wave of frequency = $4 \text{ MHz}/2[2] = 1 \text{ MHz}$.

3. Write $110b$ to ACR1[6:4]

This will set C/T#1 into the Timer mode, and select the Timing source for the C/T to be the X1/CLK input.

4. Write DD_{16} to CSR1.

This will specify that the timing source for the Receiver and Transmitter of Channel B will be derived from C/T#1. *Please note that when the QUART is programmed in this configuration, the C/T output represents a 16X over sample of the Transmitted and Received data. Therefore, the chip circuitry will divide the 1 MHz square wave by 16, just like for clock signals originating from the BRG.*

Thus: $\text{Bit Rate} = 1 \text{ MHz}/16 = 62.5 \text{ kbps}$.

Example C: Using the External Input Ports

Suppose that, in addition to running Channel B at 62.5 kbps (see Example B), he/she wants to Transmit and Receive data at 1 Mbps via Channel A.

The user needs to perform all of the steps presented in Example B, along with the following:

1. Write $xxxx01xxb$ to the OPCR1 (Output Port Configuration Register 1).

This step allows the 1 MHz square wave from C/T#1 to be output on OP3.

Note: $x = \text{don't care}$

The b suffix denotes a binary expression

2. Externally connect the OP3 pin to the IP3 and IP4 pins. Thereby applying a 1 MHz square wave into these two input pins.

3. Write FF_{16} to CSRA.

This step will specify that the timing source for the Transmitter and Receiver of Channel A will be derived from input pins IP3 and IP4, respectively. Additionally, this step allow the QUART hardware to presume that these input signal are 1X signals. Hence, there is no division-by-16 of this signal. Therefore, the bit rate of Channel A is at 1 Mbps.

Please note that if the user were to apply this example, he/she would be responsible for ensuring that the incoming serial data stream is synchronous with the 1 MHz (1X) clock signal; in order to minimize bit errors.

D.7 Explanation of Clock Timing Signals

The purpose of this section is to explain the Data Sheet specification on the Timing Control Block parameters. In the past, this subject has been the source of considerable confusion by numerous users.

The XR82C684 Data Sheet presents the following parameter specifications, in the “AC ELECTRICAL CHARACTERISTICS”

Symbol	Parameter	Limits			Units
		Min.	Typ.	Max.	
tCLK	X1/CLK (External) High or Low Time	100			ns
fCLK	X1/CLK Crystal or External Frequency	2.0	3.6864	7.3728	MHz
tCTC	Counter/Timer External Clock High or Low Time - IP2 Input	100			ns
fCTC	Counter/Timer External Clock Frequency - IP2 Input	0		7.3728	MHz
tRTX	RXC and TXC (External) High or Low Time - via IP2, IP3, IP4 and IP5	220			ns
fRTX	RXC and TXC (External) Frequency - via IP2, IP3, IP4, and IP5				
fRTX - 16X	16X	0		16.0	MHz
fRTX - 1X	1X	0		1.0	MHz

Figure 37. Clock Timing

Now for an explanation for each of these parameters:

- **tCLK - X1/CLK (External) High or Low Time**

The QUART employs dynamic logic throughout much of its circuitry. Therefore, minimum limits on tCLK and fCLK are needed in order to ensure that the device will function properly. This parameter just places a lower limit on the amount of time at the signal applied through the X1/CLK pin must reside at the high and low states.

- **fCLK - X1/CLK Crystal High or Low Time**

This parameter specifies the range of frequencies permissible at the X1/CLK input, via either crystal oscillator or applied TTL input signal. Therefore, the use can only apply between 2.0 and 7.3728 MHz at this input.

- **tCTC - Counter/Timer External Clock High or Low Time - IP2/IP10 Input**

This parameter places a lower limit on the amount of time that the signal, being applied to the IP2 and IP10 pins, for use by the Counter/Timers, can reside at the high and low states. *Please note that this limit has no relationship with the parameter tRTX, which is another spec associated with the IP2 input.*

- **fCTC - Counter/Timer External Clock Frequency - IP2/IP10 Input**

This parameter places an upper limit of the input frequency being applied to the IP2 and IP10 pins, for use by the Counter/Timers. The spec basically states that a signal with frequency up to 7.3728 MHz can be applied at the IP2 and IP10 pins, and still be properly handled by the Counter/Timers.

- **tRTX - RXC and TXC (External) High or Low Time - via IP3 - IP6, and IP11 - IP14**

This spec places a lower limit on the amount of time that a signal, being applied at the General Purpose Input Pins, IP2 - IP5 and IP11 - IP14, for use as the Transmitter and Receiver Clock source, can reside at the high or low state.

- **fRTX - RXC and TXC (External) Frequency - via IP3 - IP6, and IP11 - IP14**

This spec places limits on both the 1X and 16X external signals that are to be used to clock the Transmitters and Receivers. If the user wishes to use a 1X clock, he/she can only apply a signal with frequencies up to 1.0 MHz. This input will result in a bit rate of 1 Mbps (see Example C). If the user wishes to use a 16X clock, he/she can only apply a signal with frequencies up to 16.0 MHz. Since this signal is a 16X signal, this will result in a bit rate of 1Mbps.

In summary, the QUART Timing Control block gives the user the ability to generate virtually any baud rate that he or she desires. The Timing Control Block gives the user access to the following resources:

- 33 different standard bit rates via the BRG.
- Two Counter/Timers, which can be configured to generate bit rates which are not available from the BRGs.
- Inputs to the Timing Control Block (via some Input Port pins) which allows the use of external clock signals to generate a custom bit rate.

E. INPUT PORT

The Input Port consists of 16 parallel input pins (IP0 - IP15). The Input Port can be used as a general purpose input or the QUART can be programmed to use some of these

inputs for special functions. The current state of the inputs to this unlatched port can be read by the CPU by reading the IP1 register (for the logic states of IP0 - IP7 input pins) or the IP2 register (for the logic states of the IP8 - IP15 input pins). A high input signal at the IPn pin results in a logic "1" in the IP1[n] bit position, within the IP1 register (for Input Port pins IP0 - IP7). Similarly, a high input signal at the IPn pin results in a logic "1" in the IP2[n - 8] bit position, within the IP2 register (for Input Port pins IP8 - IP15).

E.1 Alternate Functions for the Input Port

Table 17 describes the alternate uses for the input pins, such as clock inputs and data flow control signals and includes a brief summary as how to program the alternate function. A read of the IP registers will show the logic state at the pin, regardless of its programmed function.

Input Port	Alternate Function(s)	Approach to Program Alternate Functions
IP0	-CTSA: Clear to Send (CTS) input for Channel A. <i>Note: this input is Active Low, for the CTS function.</i>	IP0 can be programmed to function as the -CTSA input by setting MR2A[4] = 1. For a more detailed discussion on this function, please see Section D.3.
IP1	-CTSB: Clear to Send (CTS) input for Channel B. Note: This input is Active Low for the CTS function.	IP1 can be programmed to function as the -CTSB input by setting MR2B[4] = 1. For a more detailed discussion on this function, please see Section D.3.
IP2	CT1_EX: Counter/Timer # 1 External Clock Input.	IP2 can be programmed to function as the external clock input for Counter/Timer #1 by setting ACR1[6:4] = [0, 0, 0]. For a more detailed discussion into the effect of this action please see Section D.2.
IP3	TXCA_EX: External Clock input for Transmitter Channel A.	IP3 can be programmed to function as the external clock input for the Transmitter of Channel A by setting CSRA[3:0] = [1, 1, 1, 0] in order to be treated as a 16X Clock, or CSRA[3:0] = [1, 1, 1, 1] in order to be treated as a 1X Clock.
IP4	RXCA_EX: External Clock input for Receiver Channel A.	IP4 can be programmed to function as the external clock input for the Receiver of Channel A by setting CSRA[7:4] = [1, 1, 1, 0] in order to be treated as a 16X Clock, or CSRA[7:4] = [1, 1, 1, 1] in order to be treated as a 1X Clock.
IP5	TXCB_EX: External Clock input for Transmitter Channel B.	IP5 can be programmed to function as the external clock input for the Transmitter of Channel B by setting CSRB[3:0] = [1, 1, 1, 0] in order to be treated as a 16X Clock, or CSRB[3:0] = [1, 1, 1, 1] in order to be treated as a 1X Clock.
IP6	RXCB_EX: External Clock input for Receiver Channel B.	IP6 can be programmed to function as the external clock input for the Receiver of Channel B by setting CSRB[7:4] = [1, 1, 1, 0] in order to be treated as a 16X Clock, or CSRB[7:4] = [1, 1, 1, 1] in order to be treated as a 1X Clock.
IP7	None	N/A

Input Port	Alternate Function(s)	Approach to Program Alternate Functions
IP8	-CTSC: Clear to Send (CTS) input for Channel C. <i>Note: This input is Active Low for the CTS function.</i>	IP8 can be programmed to function as the -CTSC input by setting MR2C[4] = 1. For a more detailed discussion on this function, please see Section G.3.
IP9	-CTSD: Clear to Send (CTS) input for Channel D. <i>Note: This input is Active Low for the CTS function.</i>	IP9 can be programmed to function as the -CTSD input by setting MR2D[4] = 1. For a more detailed discussion on this function, please see Section G.3.
IP10	CT2_EX: Counter/Timer #2 External Clock Input.	IP10 can be programmed to function as the external clock input for Counter/Timer #1 by setting ACR2[6:4] = [0, 0, 0]. For a more detailed discussion into the effect of this action please see Section D.2.
IP11	TXCC_EX: External Clock input for Transmitter Channel C.	IP11 can be programmed to function as the external clock input for the Transmitter of Channel C by setting CSRC[3:0] = [1, 1, 1, 0] in order to be treated as a 16X Clock, or CSRC[3:0] = [1, 1, 1, 1] in order to be treated as a 1X Clock.
IP12	RXCC_EX: External Clock input for Receiver Channel C.	IP12 can be programmed to function as the external clock input for the Receiver of Channel B by setting CSRB[7:4] = [1, 1, 1, 0] in order to be treated as a 16X Clock, or CSRB[7:4] = [1, 1, 1, 1] in order to be treated as a 1X Clock.
IP13	TXCD_EX: External Clock input for Transmitter Channel D.	IP13 can be programmed to function as the external clock input for the Transmitter of Channel D by setting CSRD[3:0] = [1, 1, 1, 0] in order to be treated as a 16X Clock, or CSRD[3:0] = [1, 1, 1, 1] in order to be treated as a 1X Clock.
IP14	RXCD_EX: External Clock input for Receiver Channel D.	IP14 can be programmed to function as the external clock input for the Receiver of Channel D by setting CSRD[7:4] = [1, 1, 1, 0] in order to be treated as a 16X Clock, or CSRD[7:4] = [1, 1, 1, 1] in order to be treated as a 1X Clock.
IP15	None	N/A

Note: "Shaded" Input Port pin and Alternate Functions are only available in the 68 Pin PLCC package.

Table 17. Listing of Alternate Function for the Input Port

E.2 Input Port Configuration Registers (IPCR1 and IPCR2)

Change of state detectors are provided for input pins IP0 through IP3 and IP8 through IP11. These inputs are sampled by the 38.4 kHz output of the BRG (2.4 kbps x 16). A high-to-low or low-to-high transition at these input lasting at least two clock periods (approximately 50s) will guarantee that the corresponding bit in the appropriate

input port change register (IPCR1 or IPCR2) will be set, although it may be set by a change of state as short as 25s. The bit format of each of the IPCRs follows. The status bits in the upper nibble of the IPCR (IPCR1[7:4] or IPCR2[7:4]) are cleared when the register is read by the CPU. Any change of state can also be programmed to generate an interrupt via the "Input Port Change of State" interrupt.

Bit 7	Bit 6	Bit 5	Bit 4	Bit 3	Bit 2	Bit 1	Bit 0
Delta IP3	Delta IP2	Delta IP1	Delta IP0	IP3	IP2	IP1	IP0
0 = No	0 = No	0 = No	0 = No	0 = Low	0 = Low	0 = Low	0 = Low
1 = Yes	1 = Yes	1 = Yes	1 = Yes	1 = High	1 = High	1 = High	1 = High

Table 18. Input Port Configuration Register 1 - IPCR1

Bit 7	Bit 6	Bit 5	Bit 4	Bit 3	Bit 2	Bit 1	Bit 0
Delta IP11	Delta IP10	Delta IP9	Delta IP8	IP11	IP10	IP9	IP8
0 = No 1 = Yes	0 = No 1 = Yes	0 = No 1 = Yes	0 = No 1 = Yes	0 = Low 1 = High	0 = Low 1 = High	0 = Low 1 = High	0 = Low 1 = High

Table 19. Input Port Configuration Register 2 - IPCR2

In order to enable the “Input Port Change of State” interrupt, one must do the following.

- Write the appropriate data to the lower nibble of ACR (ACR1 and/or ACR2). The bit formats for both ACRs are presented below. *Please note that the applicable bits, within each of the ACR registers, are shaded.*

Bit 7	Bit 6	Bit 5	Bit 4	Bit 3	Bit 2	Bit 1	Bit 0
BRG Set Select	Counter/Timer #1 Mode and Source			Delta IP3 Interrupt	Delta IP2 Interrupt	Delta IP1 Interrupt	Delta IP0 Interrupt
0 = Set1 1 = Set2	See Table 4			0 = OFF 1 = ON	0 = OFF 1 = ON	0 = OFF 1 = ON	0 = OFF 1 = ON

Table 20. ACR1- Auxiliary Control Register 1

Bit 7	Bit 6	Bit 5	Bit 4	Bit 3	Bit 2	Bit 1	Bit 0
BRG Set Select	Counter/Timer #2 Mode and Source			Delta IP11 Interrupt	Delta IP10 Interrupt	Delta IP9 Interrupt	Delta IP8 Interrupt
0 = Set1 1 = Set2	See Table 4			0 = OFF 1 = ON	0 = OFF 1 = ON	0 = OFF 1 = ON	0 = OFF 1 = ON

Table 21. ACR2 - Auxiliary Control Register 2

- Setting IMR1[7] and/or IMR2[7].

Note: This “two-tiered” interrupt enabling/disabling approach, for the “Input Change of State” interrupt allows tremendous flexibility for the user. Setting or clearing the bits in ACR1[3:0] and/or ACR2[3:0] allows the user to specify exactly which Input Port pins to be enabled (or disabled) for generating the “Input Port Change of State” interrupt. Setting or clearing IMR1[7] and/or IMR2[7] allows the user to “globally” enable or disable this interrupt.

The upper nibble of the two IPCRs will indicate which of the eight input pins experienced the “Change of State.” The lower nibble of each IPCR contains the present state of these input pins. Therefore, when reading one of the IPCRs, in response to the “Change of State” interrupt, the CPU will determine:

- The input pin(s) that toggled

- The final state of the changing input pin.

E.3 44 Pin PLCC Packaged QUARTs

The 44 pin PLCC packaged QUARTs come with only four input port pins, IP0, IP1, IP8 and IP9. Therefore, the only alternative functions that are available to the device (via these input port pins) are the CTS (Clear to Send) functions for each channel. External clock inputs are not available in the 44 pin PLCC package option.

F. OUTPUT PORT

The QUART consists of an 16 bit parallel Output Port. The Output Port can be used as a general purpose output or can be used for output timing and status signals by appropriately programming of the mode registers (MR1A, B, C, D and MR2A, B, C, D) and also the output port configuration registers, OPCR1 and OPCR2. When used to output status signals the Output Port pins are open

drain, which allows their use in a wire OR interrupt scheme.

Programming the Output Port is a little different from the conventional writes to a typical parallel port or the data bus. The Output Port circuitry consists of two Output Port Registers (OPR1 and OPR2), and the 16 output port pins themselves. OPR1 controls Output Port pins OP0 - OP7 and OPR2 controls Output Port pins OP8 - OP15. The contents of the OPRs are complements of the actual state of the Output Port pins. For example, if the bit OPR1[5] is set to a logic "1", this will result in the OP5 Output Port pin being at a logic "0". Likewise, if the bit OPR1[5] is set to a logic "0", this results in the OP5 Output Port pin being at a logic "1". The other thing that makes programming the parallel port a little odd is the procedure that one must use to accomplish this feat. When writing to this parallel output port, one must invoke one of the four address triggered commands: Set Output Port Bits #1, Set Output Port Bits #2, Clear Output Port Bits #1 and Clear Output Port Bits #2. Set Output Port Bits #1 and Clear Output Port Bits #1 commands applies to OPR1 and Output Port pins OP0 - OP7. Similarly, the Set Output Port Bits #2 and Clear Output Port Bits #2 commands applies to OPR2 and Output Port pins OP8 - OP15. It is important to note that when invoking either "Set Output Port Bits" command, the user is setting the bits (to logic "1") in the appropriate OPR. However, this action results in setting the corresponding Output Port pins to logic "0"; due to the complementary relationship between the state of the Output Port pins and the bits in the OPR. Likewise, when either Clear Output Port Bits command is invoked, the specified bits, within the corresponding OPR are "cleared" to logic "0". However, the corresponding Output Port pins are set to the logic "1" state.

The state of each bit within both of the OPRs, following a Power-on Reset (POR), is all "0". Therefore, the state of each Output Port pin, following a POR is logic "1".

The bits of the OPR can be set and cleared individually. A bit is set by the address-triggered "Set Output Port Bits n" command (see *Table 1*) with the accompanying data, at the Data Bus, specifying the bits, within the OPR, to be set (1 = set, 0 = no change). A bit is cleared by the address triggered 'Clear Output Port Bits n" command (see *Table 1*) with the accompanying data, at the Data Bus, specifying the bits to be reset (1 = cleared, 0 = no change).

F.1 Writing Data to the OPRs/Output Port Pins

As mentioned earlier, the state of the OPRs and consequently, the Output Port pins is controlled by four "Address Triggered" commands.

- Set Output Port Bits #1 Command
- Set Output Port Bits #2 Command
- Clear Output Port Bits #1 Command
- Clear Output Port Bits #2 Command

The procedure and effect of using these commands are discussed below.

F.1.1 Set Output Port Bits Command

The actual procedure used to invoke the "SET OUTPUT PORT BITS #1" command is the same as writing the contents on the Data Bus (D7 - D0) to QUART Address $0E_{16}$ for (OP7 - OP0). For every "1" that exists within the latched contents of the Data Bus, the corresponding bit, within OPR1 is set to a logic "high". For every "0" that is present on the data bus and is written to QUART Address $0E_{16}$, the state of the corresponding bit, within OPR1 is unchanged.

We could state this another way as: For every "1" that is present on the Data Bus, during the use of the "Set Output Port Bits #1" command, the corresponding Output Port pin is set to a logic "low". And for every "0" that is present on the Data Bus, during this command, the state of the corresponding Output Port pin is unchanged.

For Example

Suppose that the content of OPR1 are OPR1[7:0] = [0, 0, 0, 1, 1, 1, 1]. Hence, the state of the Output Port pins are as follows:

[OP7, OP6, OP5, OP4, OP3, OP2, OP1, OP0] = [1, 1, 1, 1, 0, 0, 0, 0]

If we write the following to QUART Address $0E_{16}$; [D7,...,D0] = [1, 1, 1, 1, 0, 0, 0, 0]; the resulting state of the Output Port Register Bits follows:

OPR1[7:0] = [1, 1, 1, 1, 1, 1, 1, 1].

Consequently, the state of the Output Port pins are as follows:

[OP7, OP6, OP5, OP4, OP3, OP2, OP1, OP0] = [0, 0, 0, 0, 0, 0, 0, 0]

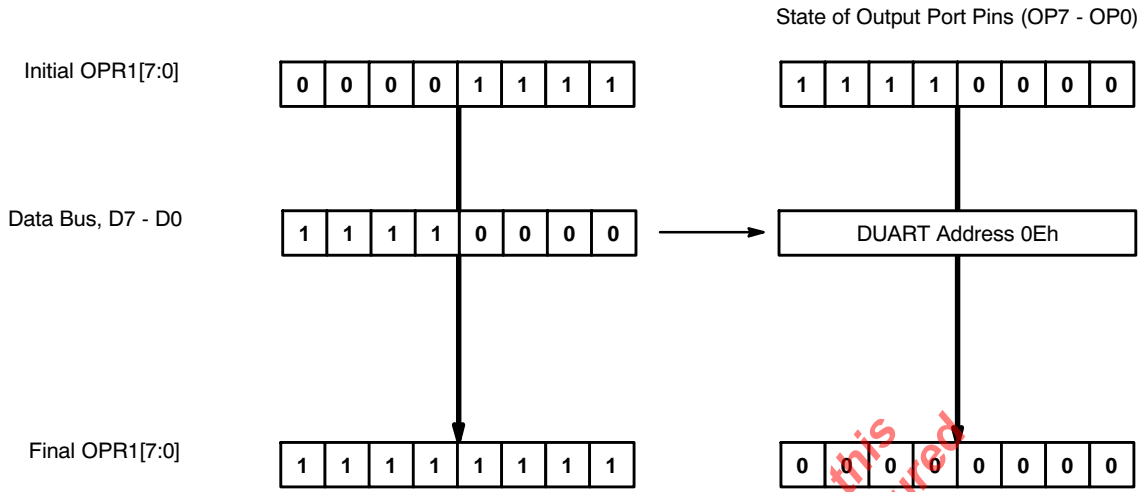


Figure 38. Illustration of the “Set Output Port Bit #1” Command And Its Effect on the Output Port Register and the State of the Output Port Pins

This example of the “Set Output Port Bits #1” command is illustrated in *Figure 38*.

In summary, for the “Set Output Port Bits #1” command;
 Dn = 0; results in no change for OPR1[n], nor Output Port pin OPn.
 Dn = 1; results in OPR[n] = “1”, and Output Port pin, OPn = “0”

The “Set Output Port Bits #2” command is very similar to the “Set Output Port Bits #1” command except that the user now write to QUART address 1E. *Figure 38A* presents an illustration of the “Set Output Port Bits #2” command and its effect on the Output Port Register and the state of the Output Port pins.

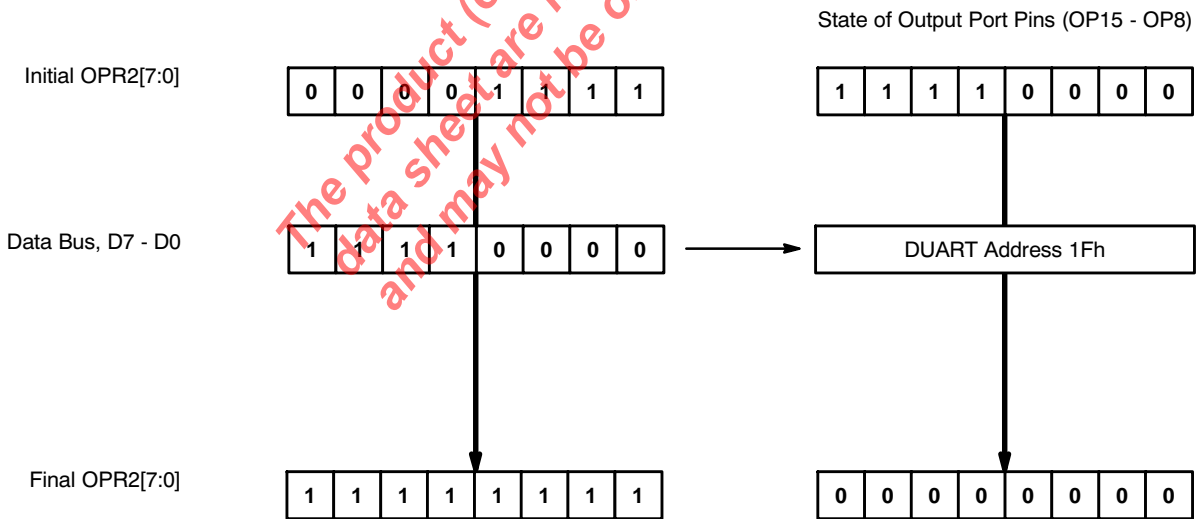


Figure 38A, Illustration of the “Set Output Port Bit #2” Command and its Effect on the Output Port Register and the State of the Output Port Pins.

In summary, for the “Set Output Port Bits #2” command;

$D_n = 0$; results in no change for $OPR2[n]$, nor Output Port pin $OP(n+8)$

$D_n = 1$; results in $OPR2[n] = “1”$, and Output Port pin, $OP(n+8) = “0”$

F.1.2 Clear Output Port Bits Command

The procedure for invoking this command is very similar to that for “Set Output Port Bits CoMMANDs”; except in that the user now writes to QUART address 0F for output port pins $[OP7, \dots, OP0]$ and to QUART address 1F for output port pins $[OP15, \dots, OP8]$.

For every “1” that is “written” to this address, the corresponding bit in the OPR register is set to a logic “low” and the corresponding Output Port pin is set to a logic “high”. For every “0” that is written to this address, the

state of the corresponding OPR register bit, and in turn the state of the Output Port pin is unchanged.

For example

Suppose that the contents of the Output Port Register 1, $OPR1 = [1, 1, 1, 1, 1, 1, 1, 1]$. Consequently, the state of the Output Port pins are:

$[OP7, OP6, OP5, OP4, OP3, OP2, OP1, OP0] = [0, 0, 0, 0, 0, 0, 0, 0]$

If we were to write $[D7, \dots, D0] = [1, 1, 1, 1, 0, 0, 0, 0]$ to QUART address 0F, the resulting contents of the Output Port register 1 will be:

$OPR1[7:0] = [0, 0, 0, 0, 1, 1, 1, 1]$

Further, the resulting state of the Output Port pins will be:

$[OP7, OP6, OP5, OP4, OP3, OP2, OP1, OP0] = [1, 1, 1, 1, 0, 0, 0, 0]$

This example of the “Clear Output Port Bits #1” command is illustrated in Figure 39.

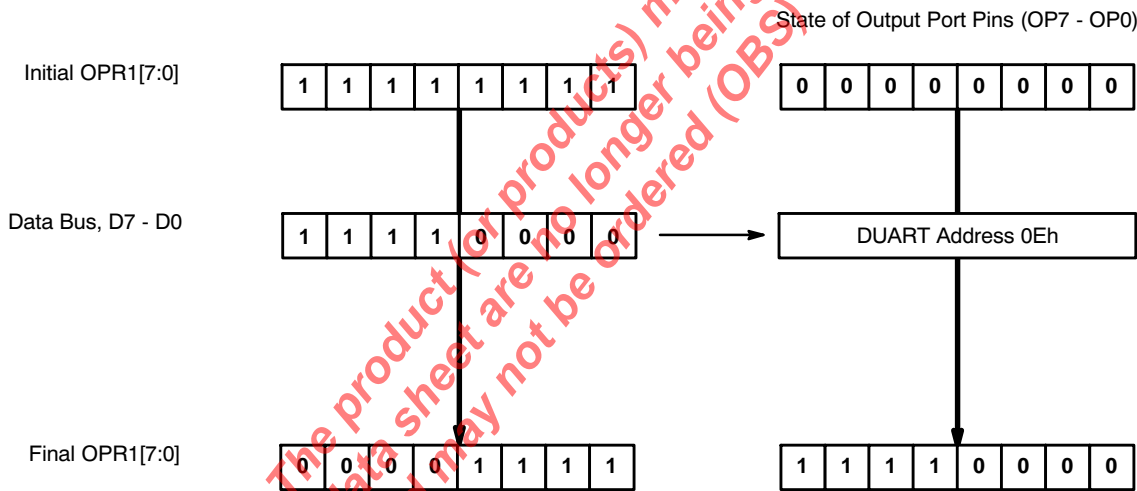


Figure 39. Illustration of the “Clear Output Port BIT #1” Command and Its Effect on the Output Port Register 1 and the State of the Output Port Pins

In summary, for the “Clear Output Port Bits” command;

$D_n = 0$, results in no change for $OPR1[n]$ and no change in the state of the Output Port pin, OP_n .

$D_n = 1$, results in $OPR1[n] = 0$, and sets the corresponding Output Port pin, OP_n , to a logic “1”.

The “Clear Output Port Bits #2” command is very similar to the “Clear Output Port Bits #1” command except that the user now write to QUART address 1F. Figure 39A presents an illustration of the “Clear Output Port Bits #2” command and its effect on the Output Port Register and the state of the Output Port pins.

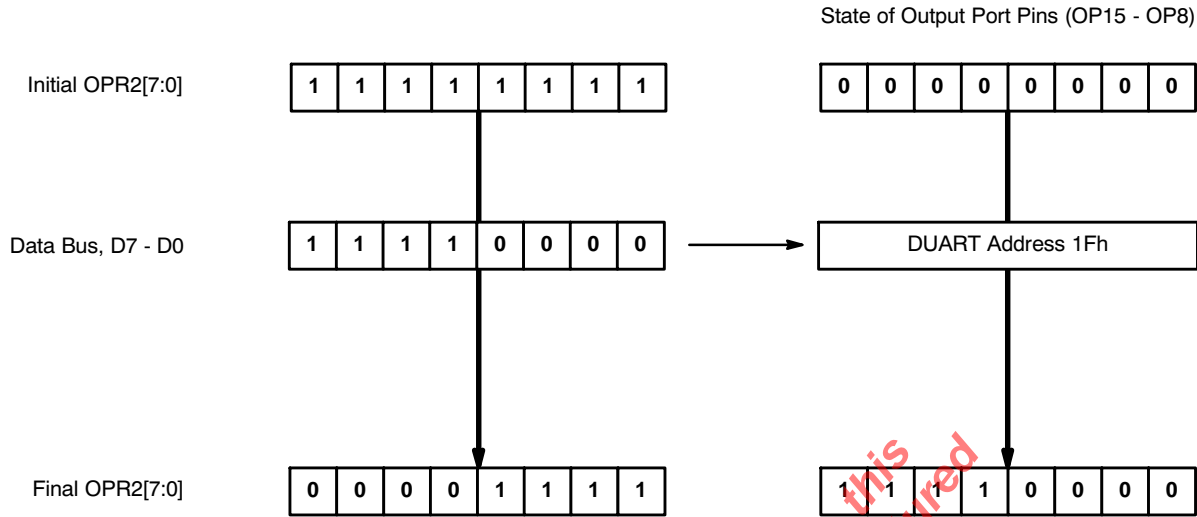


Figure 39A. Illustration of the “Clear Output Port Bit #2” Command and Its Effect on Output Port Register 2 and the State of the Output Port Pins

F.2 Output Port Configuration Registers (OPCR1 and OPCR2)

The Output Port pins can be used as General Purpose Output pins, or they can be configured to used in alternate functions. Table 22 lists the Alternate Functions of each of the Output Port pins.

Output Port	Alternate Function(s)
OP0	-RTSA: Request-to-Send (RTS) output for Channel A. Note: This output is Active Low for the RTS function.
OP1	-RTSB: Request-to-Send (RTS) output for Channel B. Note: This output is Active Low for the RTS function.
OP2	TXCA_16X Output: Channel A 16X Transmitter Clock Output: TXCA_1X Output: Channel A 1X Transmitter Clock Output RXCA_1X Output: Channel A 1X Receiver Clock Output.
OP3	TXCB_1X Output: Channel B 1X Transmitter Clock Output: RXCB_1X Output: Channel B 1X Receiver Clock Output. C/T1_RDY: The Counter/Timer Ready Output for C/T #1. Note: This output is an Open-Drain output when used as the Counter/Timer Ready Output.
OP4	RXRDY-FFULL_A Output: Channel A Receiver Ready/FIFO Full Indicator. Note: This is an Open-Drain, Active-low output for the RXRDY/FFULL_A function.
OP5	RXRDY-FFULL_B Output: Channel B Receiver Ready/FIFO Full Indicator. Note: This is an Open-Drain, Active-low output for the RXRDY/FFULL_B function.
OP6	-TXRDY_A Output: Channel A Transmitter Ready Indicator. This is an Open-Drain, Active-low output for the TXRDY_A function.
OP7	-TXRDY_B Output: Channel B Transmitter Ready Indicator. This is an Open-Drain, Active-low output for the TXRDY_B function.
OP8	-RTSC: Request-to-Send (RTS) output for Channel C. Note: This output is an Open-Drain, Active Low signal for the RTS function.
OP9	-RTSD: Request-to-Send (RTS) output for Channel D. Note: This output is an Open-Drain, Active Low signal for the RTS function.

Output Port	Alternate Function(s)
OP10	TXCC_1X : Channel C 1X Transmitter Clock Output TXCC_16X : Channel C 16X Transmitter Clock Output:
OP11	RXCC_1X : Channel B 1X Receiver Clock Output. TXCD_1X : Channel D 1X Transmitter Clock Output RXCD_1X : Channel B 1X Receiver Clock Output. C/T2_RDY : The Counter/Timer Ready Output for C/T #2. Note : This output is an Open-Drain output when used as the Counter/Timer Ready Output.
OP12	RXRDY/-FFULL_C : Channel C Receiver Ready/FIFO Full Indicator. Note : This is an Open-Drain, Active-low output for the RXRDY/FFULL_C function.
OP13	RXRDY/-FFULL_D : Channel F Receiver Ready/FIFO Full Indicator. Note : This is an Open-Drain, Active-low output for the RXRDY/FFULL_D function.
OP14	-TXRDY_C : Channel C Transmitter Ready Indicator. This is an Open-Drain, Active-low output for the TXRDY_C function.
OP15	-TXRDY_D : Channel D Transmitter Ready Indicator. This is an Open-Drain, Active-low output for the TXRDY_D function.

Note: The “shaded” Output Port pin alternate functions are only available in the 68 pin PLCC package option.

Table 22. Listing of the Alternate Functions for the Output Port

Many of the Alternate Functions of the various Output Port pins are selected by writing the appropriate data to the OPCRs. The bit format of these two registers follows.

Bit 7	Bit 6	Bit 5	Bit 4	Bit 3	Bit 2	Bit 1	Bit 0
OP7	OP6	OP5	OP4	OP3		OP2	
0 = OPR1[7] 1 = -TXRDYB	0 = OPR1[6] 1 = -TXRDYA	0 = OPR1[5] 1 = RXRDY/-FFULLB	0 = OPR1[4] 1 = RXRDY/-FFULLA	00 = OPR1[3] 01 = C/T #1 Output 10 = TXCB (1X) 11 = RXCB (1X)		00 = OPR1[2] 01 = TXCA (16X) 10 = TXCA (1X) 11 = RXCA (1X)	

Table 23. Output Port Configuration Register 1 - OPCR1

Bit 7	Bit 6	Bit 5	Bit 4	Bit 3	Bit 2	Bit 1	Bit 0
OP15	OP14	OP13	OP12	OP11		OP10	
0 = OPR2[7] 1 = -TXRDYD	0 = OPR2[6] 1 = -TXRDYC	0 = OPR2[5] 1 = RXRDY/-FFULLD	0 = OPR2[4] 1 = RXRDY/-FFULLC	00 = OPR2[3] 01 = C/T #2 Output 10 = TXCD (1X) 11 = RXCD (1X)		00 = OPR2[2] 01 = TXCC (16X) 10 = TXCC(1X) 11 = RXCC(1X)	

Table 24. Output Port Configuration Register 2 - OPCR2

Note: the OPCRs only addresses the alternate functions for Output Port pins, OP2 - OP7 and OP10 - OP15. OP0, OP1, OP8 and OP9 assume their RTS roles if either MR1n[7] = 1 or MR2n[5] = 1. Setting those Mode Register bits enables the RTS function. Otherwise, these two ports will only be General Purpose Output Ports.

F.3 44 Pin PLCC Packaged QUARTs

The 44 pin PLCC packaged devices have only four output ports, OP0, OP1, OP8 and OP9. Hence the effect of the “Set Output Port Bits” and “Clear Output Port Bits” commands only effects these four pins. Additionally, the OPCR registers have no effect on the performance of the 44 pin packaged QUART, since these registers allow the user to specify the alternate functions for Output Port pins OP2 - OP7, and OP10 - OP15. Hence, -RTSA, -RTSB, -RTSC and -RTSD are the only alternative output port pin functions available to this version of the XR82C684.

G. SERIAL CHANNELS A, B, C and D

Each serial channel of the QUART comprises a full-duplex asynchronous receiver and transmitter. The four channels can independently select their operating frequency (from the BRG, the C/T#1 or C/T#2, or an external clock) as well as operating mode. Besides the normal mode in which the receiver and transmitter of each channel operate independently, the QUART can be configured to operate in various looping modes, which are useful for local and remote diagnostics, as well as in a wake up mode used for multi-drop applications.

In this section certain symbols will be used to denote certain aspects of the Transmitter and Receiver. The definition of some of these symbols follows.

TXDn - Transmitter (Serial) Data Output for Channel n

TXCn - Transmitter Clock Signal for Channel n

RXDn - Receiver (Serial) Data Input for Channel n

RXCn - Receiver Clock Signal for Channel n.

This section of the data sheet discusses the resources that are available to each channel. These resources are listed below:

- Transmitter (Transmit Holding Register and Transmit Shift Register)
- Receiver (Receive Holding Register and Receive Shift Register)
- Status Register
- Mode Registers
- Command Register (See *Section B.2*, Command Decoding)
- Clock Select Register (See *Section D*, Timing Control Block)

G.1 Transmitter (TSR and THR)

The transmitter accepts parallel data from the CPU and converts it to a serial bit stream where it is output at the TXDn pin, adding start, stop and optional parity bits as required by the asynchronous protocol.

Each transmitter consists of a Transmit Shift register (TSR) and a Transmit Holding Register (THR). The THR is actually a 3 byte FIFO. *Figure 40* presents a simplified illustration of the TSR and THR. The CPU initiates the transmission of serial data by writing character data to the THR. The character will be loaded into and processed through the FIFO, until it reaches the TSR. During the transition from the THR to the TSR, the character data is serialized and is transmitted out of the chip via the TXDn pin.

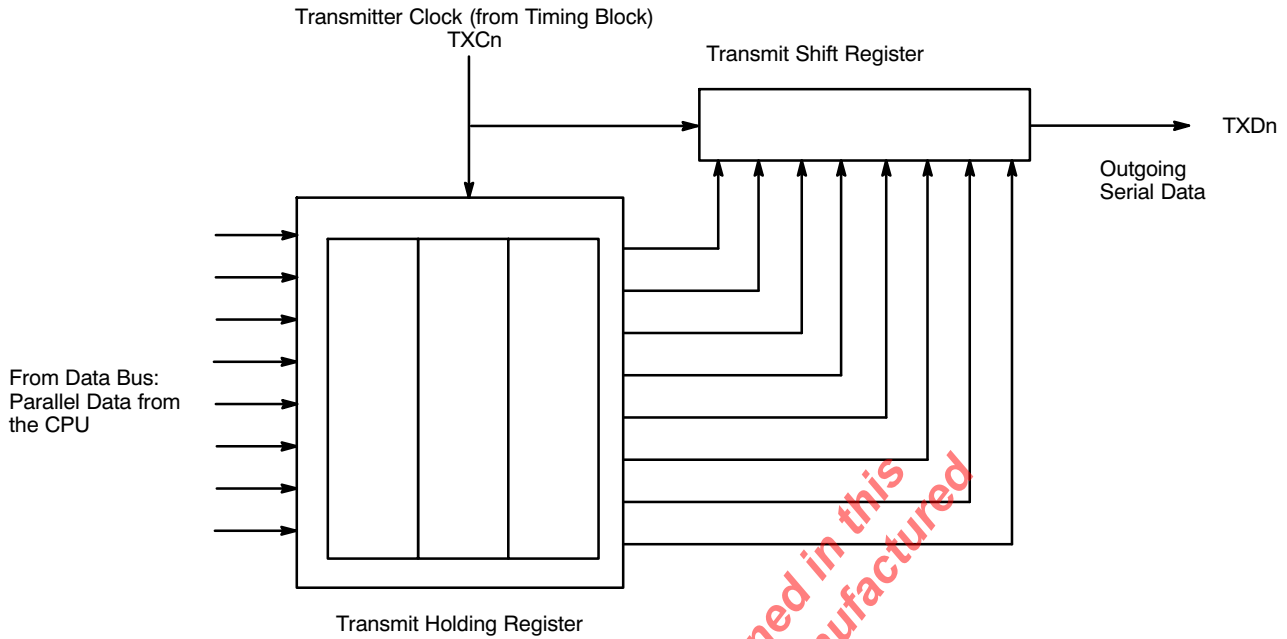


Figure 40. A Simplified Drawing Depicting the Transmit Shift Register and the Transmit Holding Register

Whenever a transmitter is idle or inactive, the TXDn output for that particular channel will be continuously marking (at a logic “high”). However, just prior to the transmission of a character, the transmitter alerts the receiver by generating a “START” bit. The START bit is basically the TXDn output toggling “low” for one bit period, following an idle period or the STOP bit of the preceding character. Immediately after transmission of the START

bit, the least significant bit of the character will be sent first, followed by progressively more significant bits. If the communication protocol calls for it, the Transmitter will send a “parity” bit between the most significant bit of the character and the STOP bit. *Figure 41* presents the waveform (format) of the transmitter (TXDn) output. In this case, the transmitter is send 5D₁₆, with 8-N-1 protocol (8 bits per character, No-parity, 1-Stop Bit).

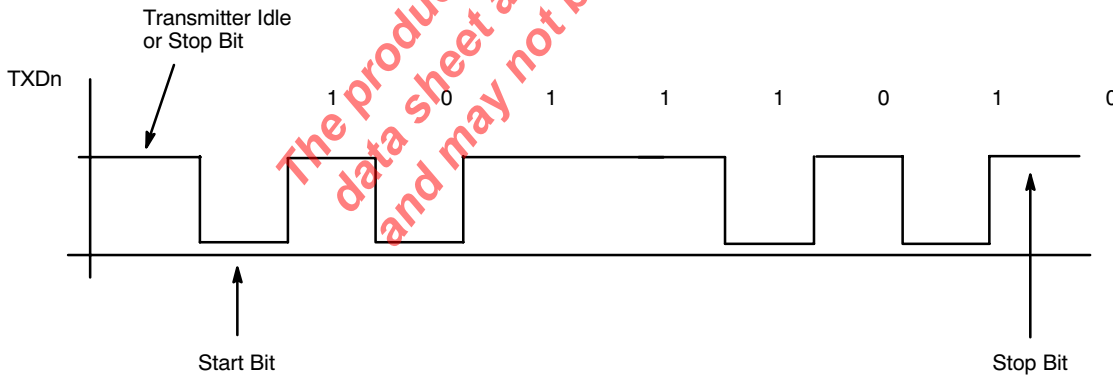


Figure 41. The Output Waveform of the Transmitter While Sending 5D (8-N-1 Protocol)

The QUART can be programmed to generate an Interrupt Request to the CPU by setting IMR1[0], IMR1[4], IMR2[0] and IMR2[4] for Channels A, B, C, and D respectively. In this case, the QUART would generate an Interrupt

Request anytime a Transmitter THR and TSR are empty of characters. The CPU can service this interrupt request by writing a character to the empty THR.

The Transmitter can be enabled or disabled via the Command Register (see Section B.2). If the command is issued to disable the transmitter, while there are still characters in the THR and TSR, the Transmitter will continue transmitting all of the remaining data within the THR and TSR, until they are completely empty of characters. No new characters can be written to the THR once the “Disable Transmitter” command has been issued.

G.2 Receiver (RSR and RHR)

The function of the serial receiver is to receive serial data at the RXDn input; and convert it to parallel data, where it can be read by the CPU. The receiver is also responsible for computing and checking parity, if parity is being used.

The receiver consists of the Receive Shift Register (RSR) and a Receive Holding Register (RHR). The RHR is, in essence, a three byte FIFO. The receiver receives data at the RXDn pin, where it is serially shifted through the RSR. Afterwards, the data is converted to parallel format, and is transferred to the RHR. This character is then processed through the 3 bytes of FIFO. Once the received character reaches the top of the FIFO, it can be “popped” or read by the CPU; when it reads the RHR. Figure 42 depicts a simplified drawing of the Receiver.

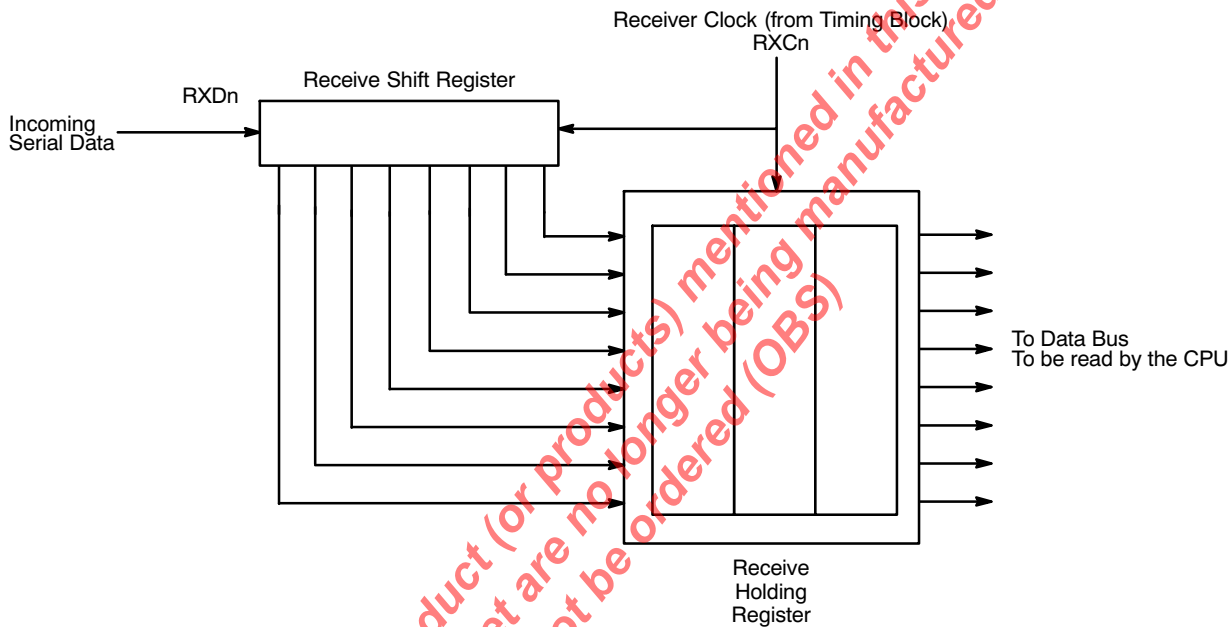


Figure 42. A Simplified Drawing of the Receiver Shift Register and Receiver Holding Register

The receiver functions by sensing the voltage level at the RXDn input. When the far-end transmitter is idle, its TXDn output (and consequently, the RXDn input) is continuously “marking”. During this period the Receiver is inactive and is not receiving or processing any data. However, when the far-end transmitter sends the START bit, (with its TXDn output toggling “low”), a receiver clock, which is 16 times the baud rate (with the 16x clock), will start sampling this START bit. If the receiver determines that its RXDn input is still “low” after its 7th sample, then the receiver hardware considers this signal to be a valid START bit. If the RXDn input is not “low” at the 7th sample, the Receiver will ignore this downward pulse as “noise”. From this 7th sample on, the Receiver will

sample each successive bit at one bit-period intervals (1/baud rate) with the 1x clock. The purpose of this 16x Clock is then two-fold.

1. To verify that the detected “low” level in the RXDn input is indeed a START bit.
2. To establish the phase relationship between the 1x bit sampling clock, and the incoming serial data stream. The idea is to sample each data bit in the middle of its bit period.

Please note that if a 16X clock is selected for the receiver, this over-sampling procedure occurs with each and every start bit.

The receiver will continue to sample (and receive) each bit of the character that follows the START bit, at one-bit time intervals. Upon reception of the character's MSB the receiver will check parity (if programmed) or will sample for the STOP bit. If the Receiver samples a mark condition at this time and the parity check (if any) was valid; a successful reception of the character is presumed; and the Receiver will prepare to sense and oversample the occurrence of the START bit for the next character.

Receiver Errors

If the Receiver does not sample a "mark", at the presumed time of the STOP bit, a Framing Error (FE) is flagged by setting, SRn[6] = 1. If, upon complete reception of the character, the subsequent parity check is incorrect, a Parity Error (PE) is flagged by setting SRn[5] = 1. If the RHR was full, and another character existed in the RSR; and if more data enters the QUART via the corresponding RXDn pin; then the character in the RSR will be overwritten, and a Receiver Overrun Error (OE) condition will be flagged in the Status Register (SRn[4] = 1). This phenomenon obviously results in a loss of data.

Finally if the RXDn input is held at the space condition for an entire character period, and no STOP bit was detected (STOP bit sampling resulted in a space); a Received Break (RB) condition is presumed. When this condition is detected several things happen.

1. The "Received Break" condition is flagged in the Status Register (SRn[7] = 1).
2. The "Break" character is loaded into the RHR. However, no further data is received or loaded into the RHR until the RXDn input returns to the "mark" condition.
3. The corresponding "Delta Break" interrupt is requested (if programmed) and flagged in the Interrupt Status Register.

Once the RXDn input returns to the "mark" condition, subsequent characters will be loaded into the RHR, and the corresponding "Delta Break" interrupt condition will once again be requested (if programmed) and flagged in the Interrupt Status Register.

The QUART can be programmed to generate an Interrupt Request to the CPU if a RXRDY (Receiver Ready) or a FFULL (FIFO Full) Condition exists within any of the four channels. A RXRDY Condition exists when at least one character of data exists within the RHR, and is ultimately waiting to be "popped" and read by the CPU. The FFULL condition exists when the RHR is completely full and cannot accept any new characters from the RSR until the CPU has read or "popped" the FIFO. The user can select the Interrupt Request to occur due to either (but not both) the RXRDY or FFULL condition via the Channel Mode Registers. These interrupts are enabled by setting IMR1[1], IMR1[5], IMR2[1] and IMR2[5] for Channels A, B, C, and D respectively.

Each channel is equipped with numerous other registers that are used to provide control and monitoring of these channels. Some of these registers were discussed in earlier sections of the data sheet. However, a detailed discussion of the remainder of these registers are presented below.

G.3 Mode Registers, MR1n and MR2n

The Mode Registers, allow the user to specify of the protocol parameters that he/she wish the channel to run at. These registers also allow the user to configure the QUART channels to engage in modem handshaking techniques. The bits of each of these registers are discussed below.

Bit 7	Bit 6	Bit 5	Bit 4	Bit 3	Bit 2	Bit 1	Bit 0
Rx RTS Control	Rx Interrupt Select	Error Mode	Parity Mode Select		ParitySelect	Number of Bits per Character	
0 = No 1 = Yes	0=RXRDY 1=FFULL	0=Character 1= Block	00 = With Parity 01 = Force Parity 10 = No Parity 11 = Multi-Drop Mode		0 = Even 1 = Odd	00 = 5 01 = 6 10 = 7 11 = 8	

Table 25. Mode Registers - MR1A, MR1B, MR1C, MR1D

MR1n for each channel is accessed when the channel's MR pointer points to MR1. The pointer is set to MR1n by a hardware Reset or by a "Reset Mr Pointer" command invoked via the channel's command register. After any read or write to MR1, the MR pointer will automatically point to MR2.

Bit 7	Bit 6	Bit 5	Bit 4	Bit 3	Bit 2	Bit 1	Bit 0
Channel Mode		Tx RTS Control	CTS Enable Tx	Stop Bit Length			
00 = Normal		0 = No	0 = No	0 = 0.563		8 = 1.563	
01 = Auto Echo		1 = Yes	1 = Yes	1 = 0.625		9 = 1.625	
10 = Local Loop				2 = 0.688		A = 1.688	
11 = Remote Loop				3 = 0.750		B = 1.750	
				4 = 0.813		C = 1.813	
				5 = 0.875		D = 1.875	
				6 = 0.938		E = 1.938	
				7 = 1.000		F = 2.000	

Table 26. Mode Registers - MR2A, MR2B, MR2C, MR2D

MR1n[7] - Receiver Request to Send Control

Ordinarily, RTS (Request to Send) is asserted or negated by invoking the “Set Output Port Bits Command” or “Clear Output Port Bits Command” in the appropriate manner. However, if MR1n[7] = 1 is set, then the Receiver will have control over the negation of the -RTS output. Specifically, setting this bit will allow the Receiver to negate -RTS if its RHR is full. This “flow control” technique is useful in preventing Receiver Overrun Errors.

Figure 42 presents a diagram which illustrates how a Receiver-Controlled Request-to-Send configuration would function.

MR1n[6] - Receiver Interrupt Select

This bit selects either the RXRDY status bit or the FFULL status bit of the channel to be used as the criteria for generating an Interrupt Request to the CPU, and setting the following Interrupt Status Register bits: ISR1[1], ISR1[5], ISR2[1], and ISR2[5] for Channels A, B, C and D, respectively.

MR1n[5] - Error Mode Select

This bit controls the operation of the three FIFO status bits (PE, FE, Received Break) for the Channel. If this bit is set to “0”, this particular channel will operate in the “Character” Error Mode. If this bits is set to “1”, this particular channel will operate in the “Block” Error Mode.

In the character mode these status bits apply only to the character that is currently at the top of the FIFO. In the block mode, these bits represent the cumulative logical OR of the status for all characters coming to the top of the

FIFO since the last “Reset Error Status” command for the Channel was issued.

MR1n[4:3] - Parity Mode Select

If “with parity” or “force parity” operation is programmed, a parity bit is added to the transmitted characters and the receiver performs a parity check on received characters. See Section H.2 for description of Multi-Drop Mode Operation.

MR1n[2] - Parity Type Select

This bit selects ODD or EVEN parity if “With Parity Mode” is programmed and the state of the forced parity bit if the “Force Parity” mode is programmed. In the Multi-Drop mode it selects the state of the A/D flag bit. This bit has no effect if “No Parity” is selected in MR1n[4:3].

MR1n[1:0] - Bits per Character Select

Selects the number of bits to be transmitted and received in the data field of the character. This does not include START, PARITY, and STOP bits.

Mode Register 2 (Channels A, B, C and D)

MR2n for each Channel is accessed when the Channel’s MR Pointer points to MR2n, which occurs after any access to the Channel’s MR1 Register. Subsequent “reads” or “writes” to MR2n does not change the contents of the MR pointer.

MR2n[7:6] - Channel Mode Select

Each Channel can operate in one of four modes.

- Setting MR2n[7:6] = 00 configures the channel to operate in the Normal Mode. In this mode, the

receiver and transmitter operate independently. *Figure 42* presents a diagram depicting Normal Mode Operation.

- Setting $MR2n[7:6] = 01$ places the channel in the Automatic Echo Mode, which automatically re-transmits the received data. *Figure 44* presents a diagram depicting Automatic Echo Mode Operation. The following conditions apply while in this mode.

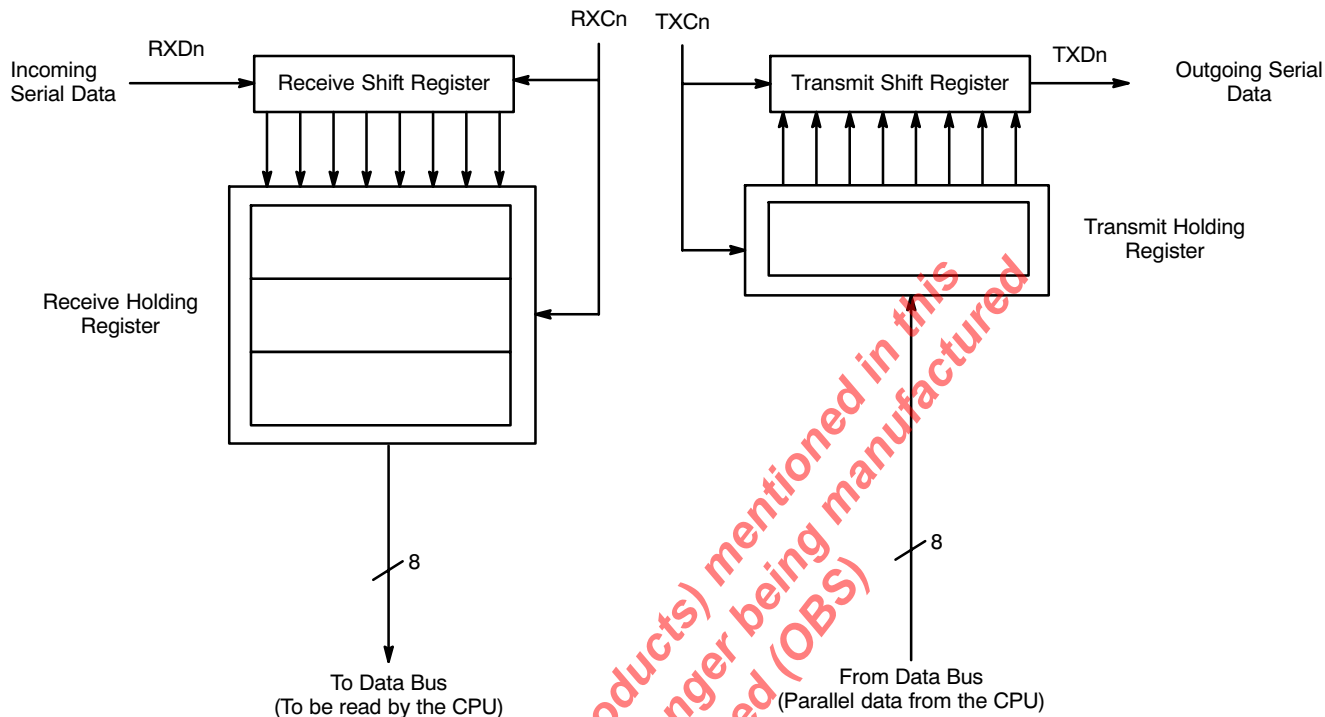


Figure 43. A Block Diagram Depicting Normal Mode Operation

The product (or products) mentioned in this data sheet are no longer being manufactured and may not be ordered (OBS)

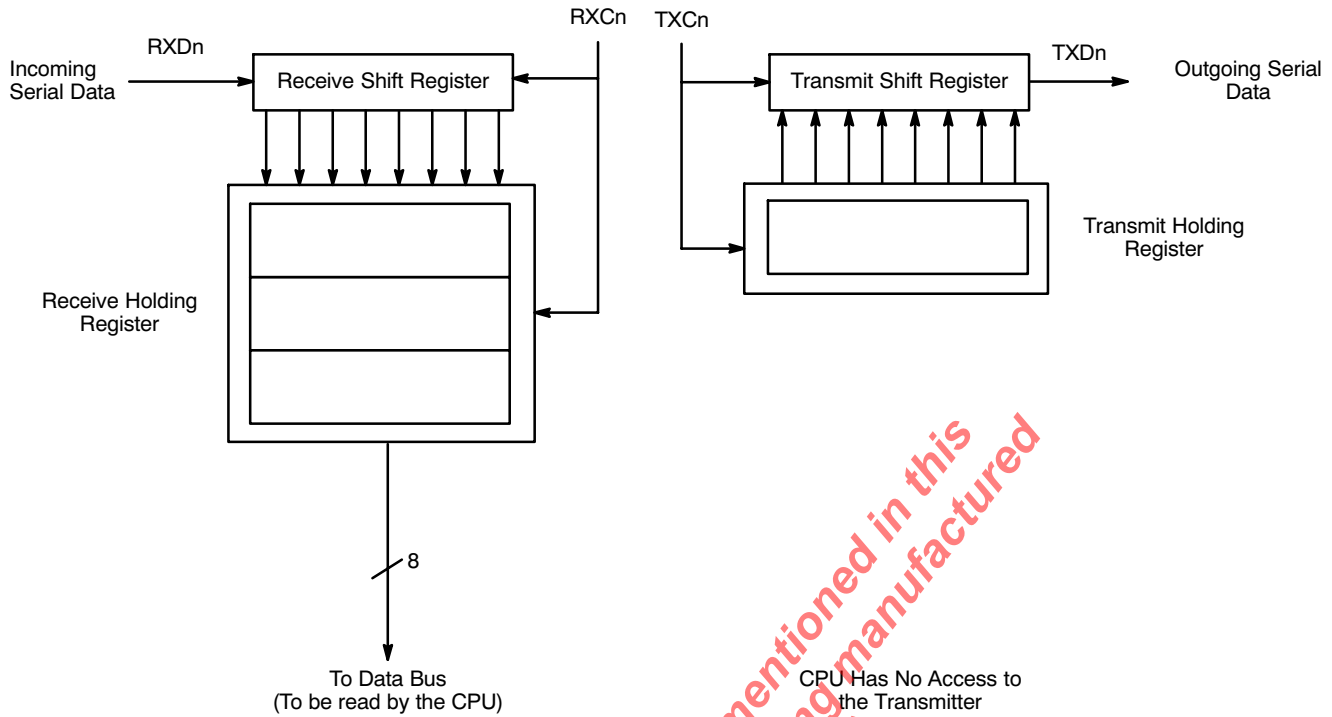


Figure 44. A Block Diagram Depict Automatic Echo Mode

1. Received data is transmitted on the channel's TXD.
2. The receiver must be enabled but the transmitter need not be enabled.
3. The channel's TXRDY and TXEMT status bits are inactive.
4. The received parity is checked but is not generated for transmission. Thus, transmitted parity is as received.
5. Character framing is checked but the stop bits are transmitted as received.
6. A received break is echoed as received until the next valid start bit is detected.
7. CPU to receiver communications operates normally, but the CPU to transmitter link is disabled.

Each QUART channel can be configured into one of two diagnostic modes.

Local Loopback Mode

This mode is selected by setting MR2n[7:6] = 10. Figure 45 is a diagram depicting Local Loopback Mode operation.

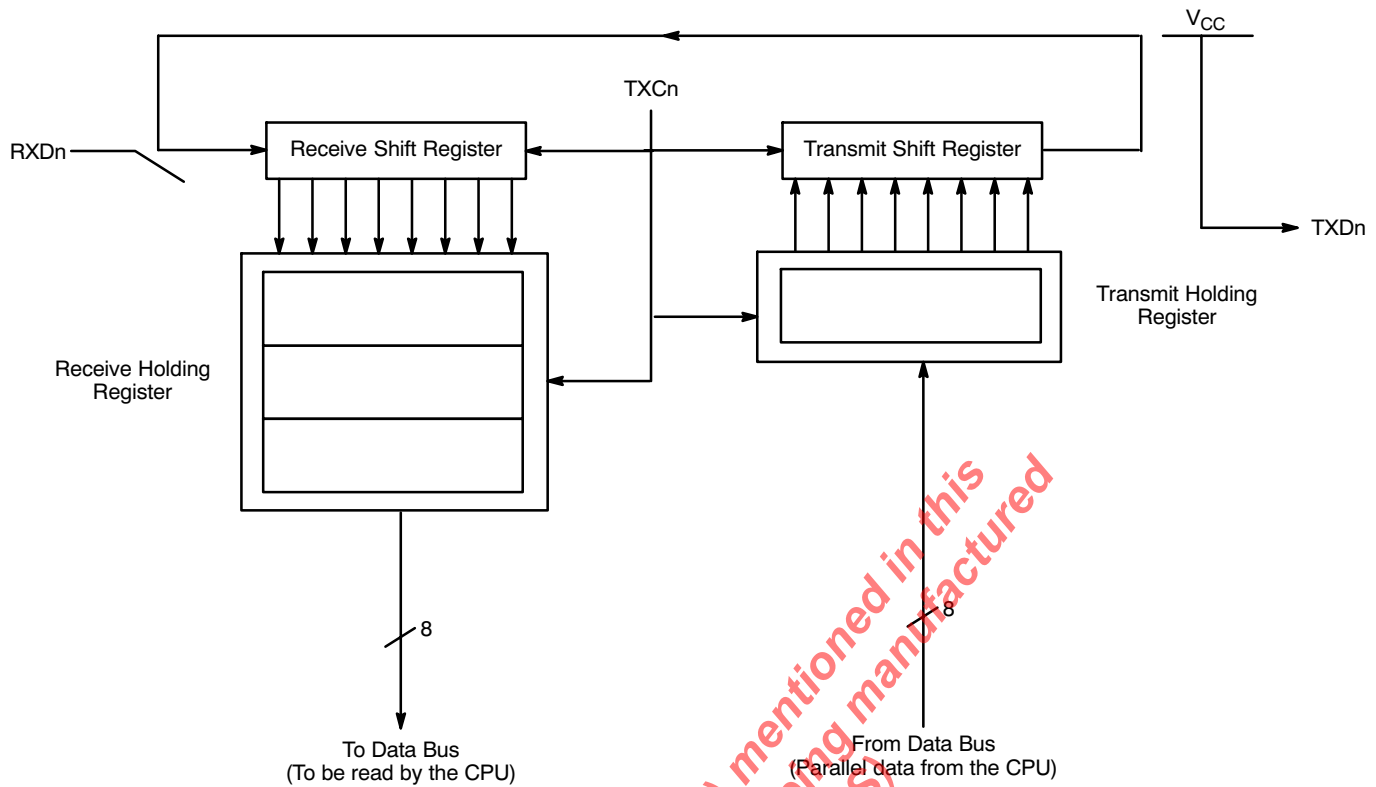


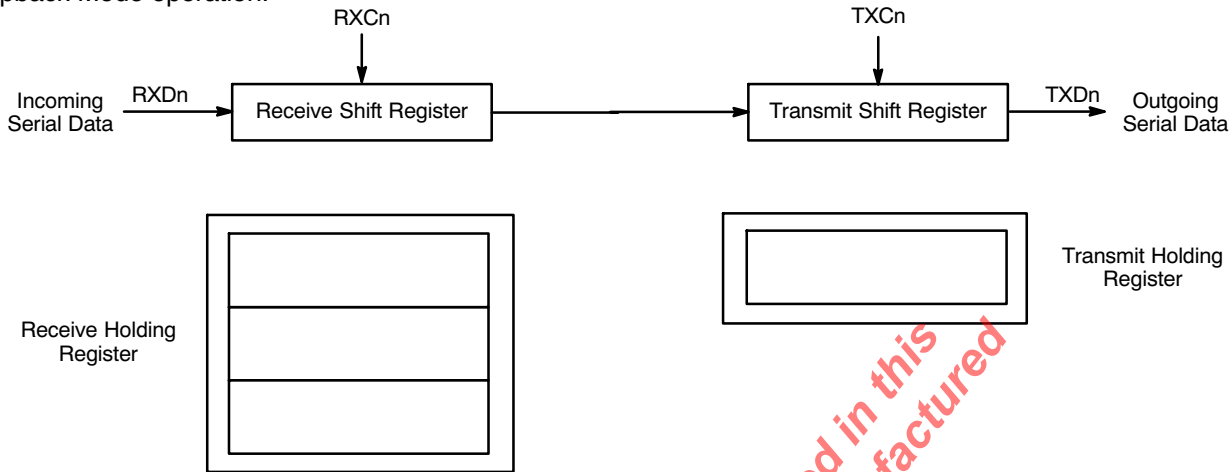
Figure 45. A Block Diagram Depicting Local Loopback Mode Operation

In this mode:

1. The transmitter output is internally connected to the receiver input.
2. The transmit clock is used for the receiver.
3. The channel's TXDn output is held marking (high).
4. The channel's RXDn input is ignored.
5. The transmitter is enabled, but the receiver need not be enabled.
6. CPU to transmitter and receiver communications continue normally.

Remote Loopback Mode

This mode is selected by setting $MR2n[7:6] = 11$. *Figure 46* presents a diagram depicting Remote Loopback Mode operation.



Note: The CPU has no access of the Serial Data during Remote Loopback Mode.

Figure 46. A Block Diagram Depicting Remote Loopback Mode

In this mode;

1. Received data is transmitted on the channel's TXDn output
2. Received data is not sent to the CPU and the error status conditions are not checked.
3. Parity and framing (stop bits) are transmitted as received.
4. The receiver must be enabled.
5. The received break is echoed as received until the next valid start bit is detected.

MR2n[4] - Clear to Send Control

If this bit is a 0, the channels -CTS input (IP0 for Channel A, IP1 for Channel B, IP8 for Channel C, or IP9 for Channel D) has no effect on the transmitter. If the bit is a "1", the transmitter will check the state of its -CTS input each time it is ready to send a character. If -CTS is low (or "true"), the character is transmitted. If -CTS is high (or negated), -TXD remains in the marking state and the transmission of the next character is delayed until -CTS goes low. Changes in the -CTS input while a character is being serialized do not affect transmission of that character. This phenomenon is further illustrated in *Figure 47* and *Figure 49*.

MR2n[5] - Transmitter Request-to-Send Control

Ordinarily, the RTS (Request to Send) output is asserted or negated by invoking the "Set Output Port Bits Command" or "Clear Output Port Bits Command" in the appropriate manner, by the system software. However, setting $MR2n[5] = 1$ allows the Channel Transmitter to negate RTS automatically, one bit time after the characters in the TSR and THR have been transmitted and are now empty.

Figure 49 presents a diagram illustrate how a Transmitter-Controlled Request-to-Send configuration would function.

MR2n[3:0] - Stop Bit Length

This bit field programs the duration of the stop bits appended to each transmitted character. Stop bit duration of 9/16 to 1 bit time and 1 9/16 to 2 bit times, in increments of 1/16 bits can be programmed for character lengths of 6, 7 and 8 bits. For a 5 bit character, the stop bit duration can be programmed from 1-1/16 to 2 bit times.

If an external 1x clock is programmed for the transmitter clock (TXCn), $MR2n[3] = 0$ selects a stop bit duration of one bit time and $MR2n[3] = 1$ selects a duration of two bit times for transmission.

The receiver only checks for mark condition at the center of the first stop bit (that is, one bit time after the last data or parity bit is sampled) regardless of the programmed transmitted stop bit length. If the receiver does not sample a “mark” a “Frame Error” (FE) is flagged in the Status Register.

G.4 Status Register, SRn

The channel Status Register provides the user with status on the RHR and THR (Receiver and Transmitter FIFOs, respectively); and serves to provide the CPU with a measure of the quality of the reception of data by the

receiver. FIFO Status indicators are useful in polled systems and allows the CPU to check and see if the Transmitter is empty and/or is ready for data from the CPU. The FIFO Status indicators also indicate whether or not the RHR has a character, which is waiting to be read by the CPU, or is full and incapable of receiving any more characters without an overrun. The Transmitter and Receiver FIFO status indicators are located in the lower nibble of the Status Register.

The upper nibble of the Status Register alerts the user of any data reception errors. The bit-format of the Status Register and a discussion of each bit follows:

Bit 7	Bit 6	Bit 5	Bit 4	Bit 3	Bit 2	Bit 1	Bit 0
Received Break	Framing Error	Parity Error	Overrun Error	TXEMT	TXRDY	FFULL	RXRDY
0 = No 1 = Yes	0 = No 1 = Yes	0 = No 1 = Yes	0 = No 1 = Yes	0 = No 1 = Yes	0 = No 1 = Yes	0 = No 1 = Yes	0 = No 1 = Yes

Table 27. Status Register - SRA, SRB, SRC, SRD

SRn[7] Received Break

This bit indicates that an all zero character of the programmed character length was received without a stop bit. Only a single FIFO position is occupied when a break is received. Additional transfers into the FIFO are inhibited until the RXD line returns to the marking state for at least half a bit time. This is defined as two successive edges of the internal or external 1x clock.

When this bit is set, the channel’s “Change In Break Status” bit in the ISR is set. The bit in the ISR is also set when the end of the break condition, as defined above, is detected.

The chip’s break detect logic can detect breaks that begin in the middle of a character. However, the break must persist until the end of the next character time in order for it to be detected.

If the Error Mode, of the channel, has been set to “Character” Mode, this bit only applies to the Character at the top of the RHR. This bit will be cleared if the RXDn input is brought to a logic “high” level, in the next character.

If the “Error” Mode has been set to “Block” mode, then this bit, once set will remain asserted until the “Reset Error Status” command has been invoked (please see *Table 2*). Please note that if the Error Mode is “Block” this bit, in the Status Register will remain set, for all subsequent characters, independent of the condition of

these received characters, until the “Reset Error Status” command has been invoked.

SRn[6] Framing Error

Following reception of the character bits, and any associated parity bit, the Receiver will check for a “mark” condition one bit-time following the last data or parity bit. This “mark” condition is the STOP bit. If the Receiver does not detect a “mark” at this time, the bit is toggled “high” flagging the occurrence of a Frame Error (FE).

If the Error Mode has been set to “Character” Mode, this bit only applies to the Character at the top of the RHR. If this bit is set for a given character, it will be cleared if the STOP bit is properly detected in the next character.

If the “Error” Mode has been set to “Block” mode, then this bit, once set will remain asserted until the “Reset Error Status” command has been invoked (please see *Table 2*). Please note that if the Error Mode is “Block” this bit, in the Status Register will remain set, for all subsequent characters, independent of the condition of these received characters, until the “Reset Error Status” command has been invoked.

SRn[5] Parity Error

This bit is set when the “With Parity” or “Force Parity” modes are programmed and if the corresponding character in the data FIFO was received with incorrect parity.

If the Error Mode has been set to “Character” Mode, this bit only applies to the Character at the top of the RHR. If this bit is set for a given character, it will be cleared if the received parity is correct in the next character.

If the “Error” Mode has been set to “Block” mode, then this bit, once set will remain asserted until the “Reset Error Status” command has been invoked (please see *Table 2*). Please note that if the Error Mode is “Block” this bit, in the Status Register will remain set, for all subsequent characters, independent of the condition of these received characters, until the “RESET ERROR STATUS” command has been invoked.

SRn[4] Overrun Error

If set, this bit indicates that one or more characters in the received data have been lost, it is set upon receipt of a new character when the FIFO is full and a character is already in the RSR waiting for an empty FIFO position. When this occurs, the character in the RSR is overwritten.

Please note that unlike the Status Register bits for FE (Framing Error), PE (Parity Error) and RB (Received Break), the OE (Overrun Error) indicator is always flagged on a “Block” Error Mode basis. The OE condition is never flagged on a character-to-character basis, and only cleared when the “Reset Error Status” command is invoked.

SRn[3] Transmitter Empty (TXEMT)

This bit is set when the transmitter underruns. It is set after transmission of the last stop bit of a character and if there is no character in the THR or TSR awaiting transmission. This bit is cleared when the transmitter is disabled, or when the CPU writes a new character to the THR.

SRn[2] Transmitter Ready (TXRDY)

This bit, when set, indicates that the THR is empty and ready to accept a character from the CPU. The bit is cleared when the CPU writes a new character to the THR, and is set when that character is transferred to the TSR. TXRDY is set when the transmitter is initially enabled and is reset when the transmitter is disabled. Characters loaded into the THR while the transmitter is disabled will not be transmitted.

SRn[1] FIFO Full (FFULL)

This bit is set when a character is transferred from the RSR to the RHR and the transfer causes it to become full,

i.e., all three FIFO positions are occupied. It is reset when the CPU reads the RHR. If a character is waiting in the RSR because the FIFO is full, FFULL will not be reset when the CPU reads the RHR.

SRn[0] Receiver Ready (RXRDY)

This bit indicates that at least one character has been received and is waiting in the FIFO to be read by the CPU. It is set when a character is transferred from the RSR to the RHR and is cleared with the CPU reads the last character currently stored in the FIFO.

Please note that some of the conditions that are flagged by the Status Register can also be programmed to generate an Interrupt Request to the CPU. However, there are some conditions that are flagged by the Status Register that cannot be programmed to generate an Interrupt. These conditions are listed below:

- SRn[6] - Framing Error
- SRn[5] - Parity Error
- SRn[4] - Overrun Error

Therefore, if system level error-checking is not employed, the user is recommended to validate each character by checking the Status Register.

H. Special Modes Of Operation

H.1 RTS/CTS Handshaking

The QUART can be programmed to support RTS/CTS Handshaking, as a means of data flow control with other devices. This section will describe a couple of options that the QUART allows the user in implementing RTS/CTS Handshaking. Specifically, these options are:

- Receiver-Controlled RTS/CTS Handshaking
- Transmitter-Controlled RTS/CTS Handshaking

H.1.1 Receiver-Controlled RTS/CTS Handshaking

In this mode, the Receiver has the ability to automatically negate the RTS output (to the Transmitting device). Specifically, this mode allows the Receiver to negate the RTS signal if its RHR is full; and, is thereby, very effective in preventing Receiver Overrun Errors. *Figure 47* presents a diagram of an example illustrating the operation of the Receiver-Controlled RTS configuration.

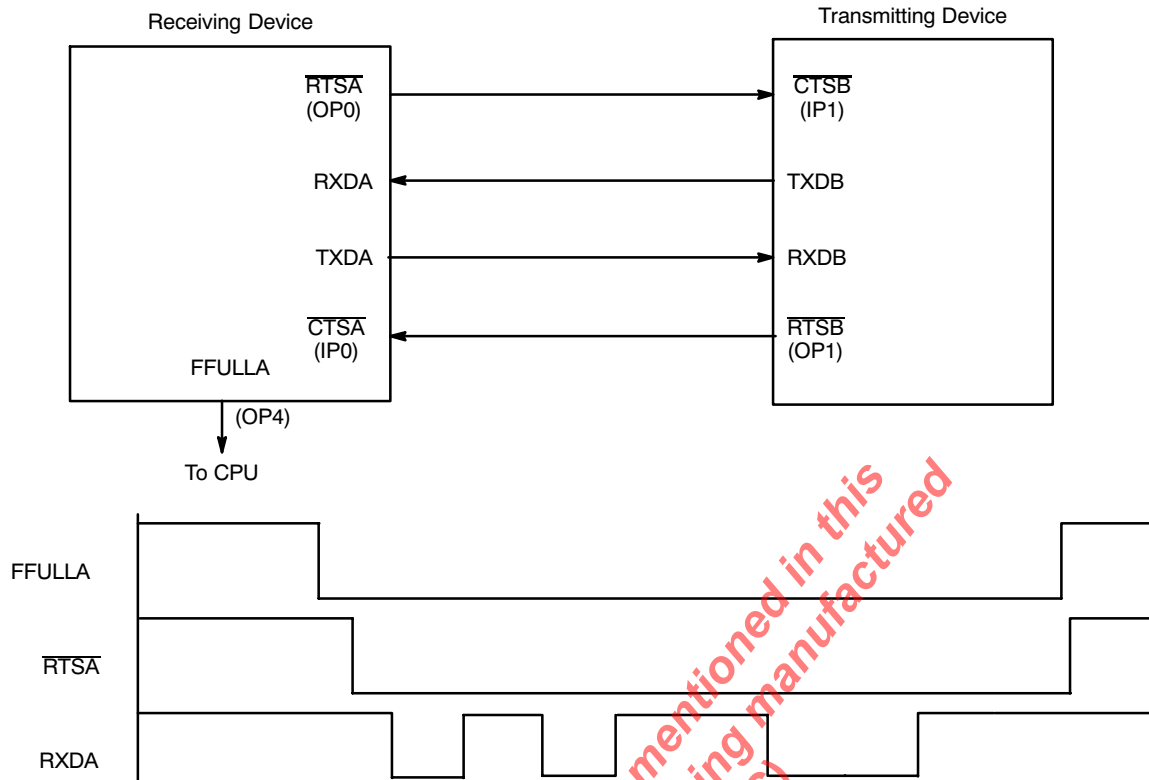


Figure 47. Block Diagram and Timing Sequence of two QUARTs connected in the Receiver-RTS Controlled Configuration

Figure 47 shows two QUART devices, a “Receiving Device” and a “Transferring Device”. These devices are labeled such because of their role in this example transfer of data between them. This example is going to ignore, for the time being, the fact that the “Receiving Device” has a transmitter and that the “Transferring Device” has a receiver. Further, this example, is using Channel A of the “Receiving Device” and Channel B of the “Transferring Device”.

The example starts with the assumption that the “Receiving Device” has been programmed such that MR1A[7] = 1. According to Section G.3, this results in programming the “Receiving Device” for Receiver RTS Control. Additionally, the “Transferring Device” has been programmed such that MR2B[4] = 1. According to Section G.3, the Transmitter of Channel B of the “Transferring Device” has now been programmed to be under -CTSB input control. In this example, the “Receiving Device” controls the -RTSA output signal. This output signal is fed directly into the -CTSA input of the Transferring Device.

If RHRA of the “Receiving Device” is full (as depicted by the FFULLA output being at a logic “high”), -RTSA will automatically be negated by virtue of the Receiver Controlled RTS features. Consequently, the Channel B Transmitter of the “Transferring Device” will have its -CTSB input negated and will not be permitted to transmit any data to RXDA of the “Receiving Device”.

If the CPU reads (or “pops”) the RHRA of the Receiving Device, RHRA will no longer be full, and the FFULLA indicator will toggle false. In this case, the FFULLA indicator is connected to some input port of the CPU. In response to the FFULLA toggling false, the CPU would interpret this “negative-edge” of FFULLA as an Interrupt Request. The CPU would service this “Interrupt” by “writing” [D7,...,D0] = [0, 0, 0, 0, 0, 0, 0, 1] to QUART address 0E. This action executes the “Set Output Port Bits # 1COMMAND” and causes OPR1[0] to toggle “high” and Output Port pin OP0 (or -RTSA) to toggle “low”. Consequently, -RTSA is now asserted.

With the -RTSA output of the “Receiving Device” being asserted the -CTSA input of the “Transferring Device” is

now asserted, as well and data transmission from the “Transmitting Device” to the “Receiving Device” is now permitted.

Figure 47 shows the RXDA input receiving data after -RTSA has been asserted. However, in this example, this newly received character now causes RHRA of the “Receiving Device” to be full. The FFULLA indicator status is now asserted and RTSA (of the “Receiving

Device”) is now automatically negated via the Receiver control over the RTS signal. Therefore, transmission from Channel B of the Transmitting Device is, once again, inhibited.

Figure 48 presents a flow diagram illustrating an algorithm that could be used in implementing the Receiver-Controlled RTS/CTS Handshaking Mode.

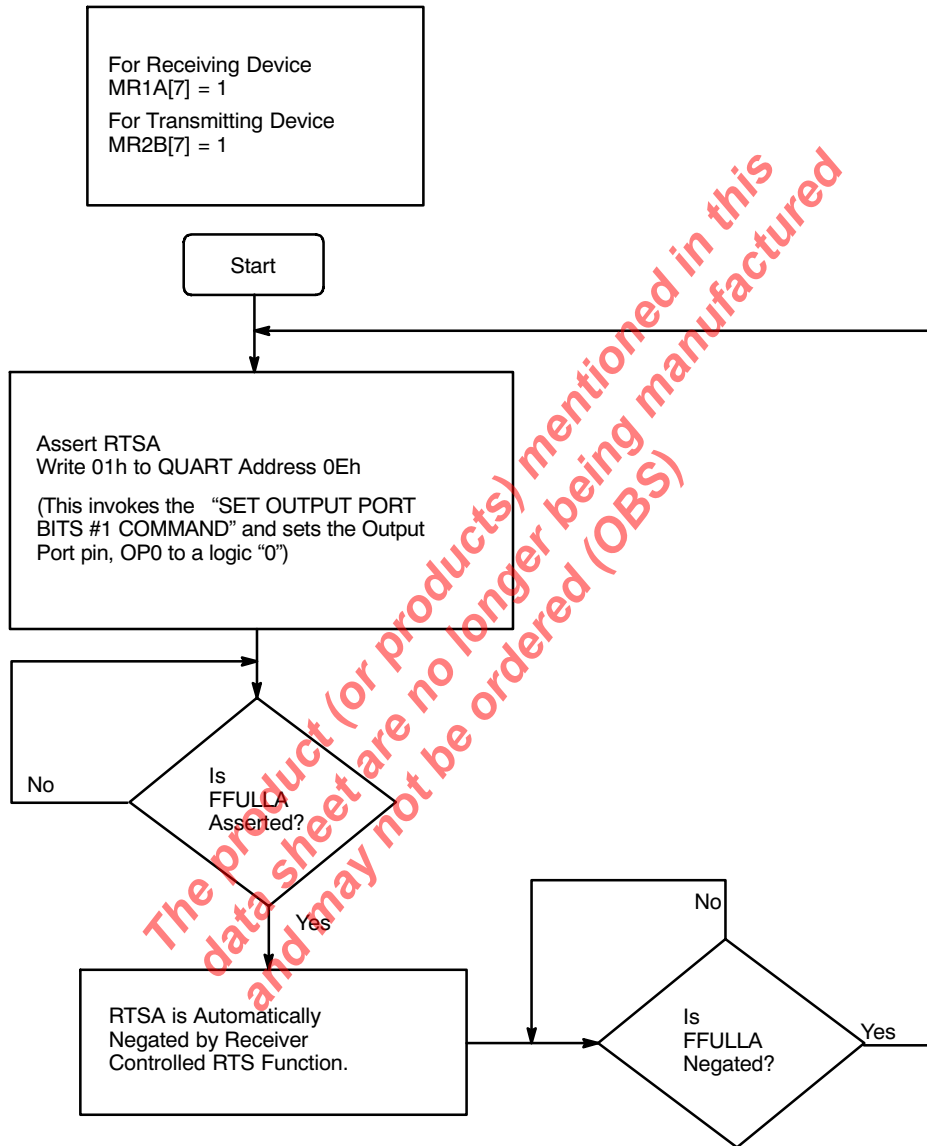


Figure 48. A Flow Diagram Depicting An Algorithm That Could Be Used to Apply The Receiver-controlled RTS/CTS Handshaking Mode

H.1.2 Transmitter-Controlled RTS/CTS Handshaking

In this mode, the Transmitter now has the ability to negate

the RTS output (to the Receiving Device). Specifically, this mode allows the Transmitter to negate the RTS signal, one bit period after emptying its THR and TSR.

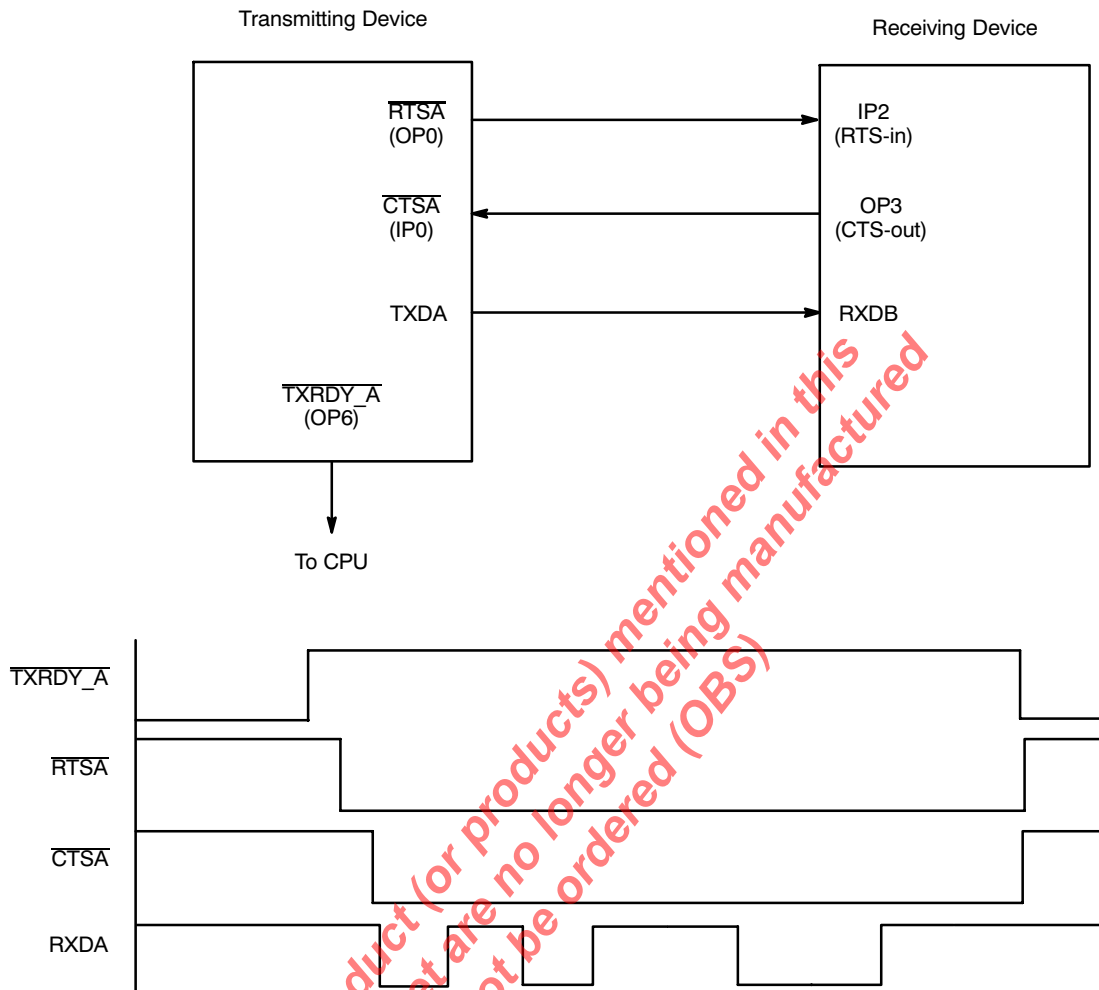


Figure 49. Block Diagram and Timing Sequence of Two QUARTs Connected in the Transmitter-RTS Controlled Configuration

Figure 49 shows two QUART devices, one labeled “Transmitting Device” and the other, “Receiving Device”. This example starts with the assumption that the “Transmitter Device” has been programmed such that MR2A[5] = 1, which results in programming the “Transmitting Device” for Transmitter-RTS Control. This example further assumes that the “Transmitting Device” has been programmed such that MR2A[4] = 1. According to Section G.3, the Transmitter of Channel A of the “Transmitting Device” has now been programmed to be under -CTS_A input control

In the case of the “Receiving Device”, IP2 (RTS-in) has been programmed to generate an “Input Port Change of State” interrupt request to the CPU. The firmware for the Interrupt Service Routines is written such that if the IP2 input were to change and IPCR[2] = 0, the CPU would “write” [D7,..., D0] = [0, 0, 0, 0, 1, 0, 0, 0] to QUART address 0E. In this step, the Interrupt Service Routine would invoke the “SET OUTPUT PORT BITS #1 COMMAND”, and in the process toggle OPR1[3] to a logic “high” and the Output Port pin, OP3, (CTS-out) to a logic “low”. This would, in turn, assert the -CTS_A input of the

“Transmitting Device” and allow it to transmit data to the “Receiving Device”.

Once Channel A Transmitter has emptied both its THR and TSR of data, it will negate the -RTSA output, via the “Transmitter-RTS Control” feature. When the -RTSA output the “Transmitting Device” is toggled “high”, the IP2 (RTS-in) is also toggled “high”, thereby generating another “Input Change of State” interrupt request to the CPU. With IPCR1[2] = 1, the likely Interrupt Service Routine would be to “Write” [D7, ..., D0] = [0, 0, 0, 0, 1, 0, 0, 0] to QUART address 0F. In this step, the Interrupt Service Routine would invoke the “CLEAR OUTPUT

PORT BITS # 1 COMMAND”, and in the process toggle OP3 (CTS-out) “high”. This would in turn negate the -CTSA input of the “Transmitting Device” and inhibit the transmission of data from the Channel A of the “Transmitting Device”.

Figure 50 presents a Flow Diagram which depicts an Algorithm that could be used to implement the Transmitter-Control RTS/CTS Handshaking Mode. Please note that the shaded block pertain to occurrences within the “Receiving Device”. Whereas the “White” block pertain to operation within the “Transmitting Device.”

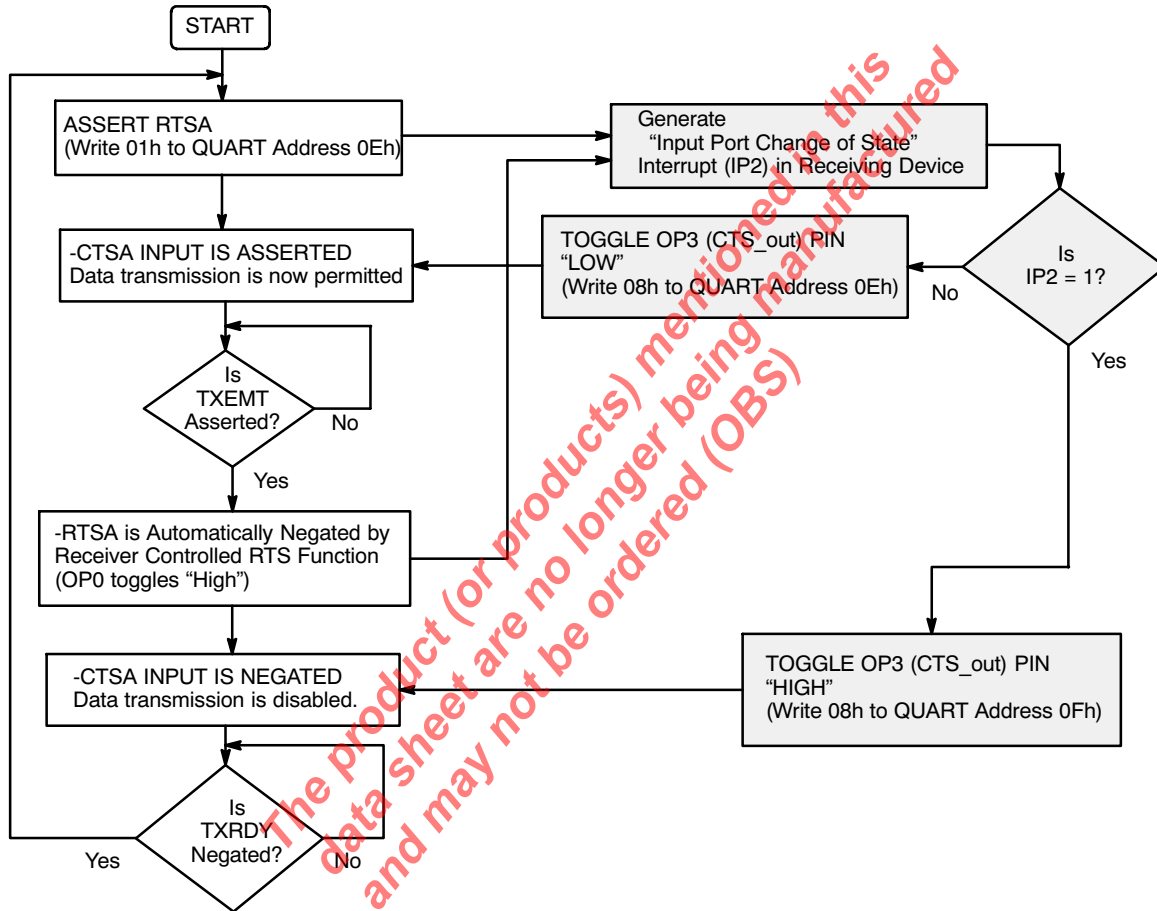


Figure 50. A Flow Diagram depicting an Algorithm That Could Be Used to Realize the Transmitter-Controlled RTS/CTS Handshaking Mode

H.2 Multi-drop (8051 9 bit) Mode.

Each serial channel of the QUART can be configured to operate in a wake up mode useful for multi-drop or multiprocessor applications. This section will first present the concept of the Multi-Drop Mode. Afterwards, the function and procedure of operating the QUART in the Multi-Drop mode is discussed below.

H.2.1 Concept of Multi-Drop Mode

This mode is compatible with the serial “Nine bit Mode” of 8051 family microcomputers. In this mode of operation a “master station”, connected to a maximum of 256 slave station is possible, as depicted in *Figure 51*.

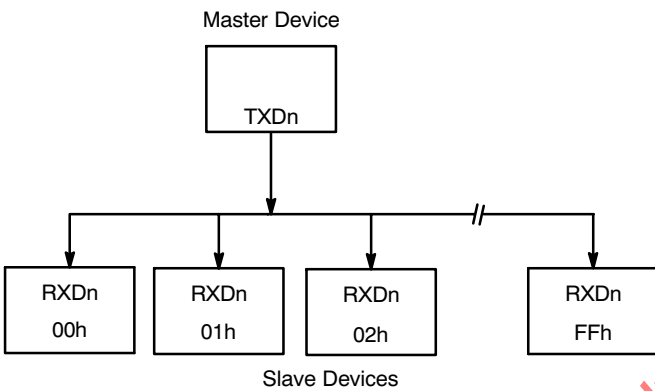


Figure 51. An Illustration Depicting the Concept of Multi-Drop Mode

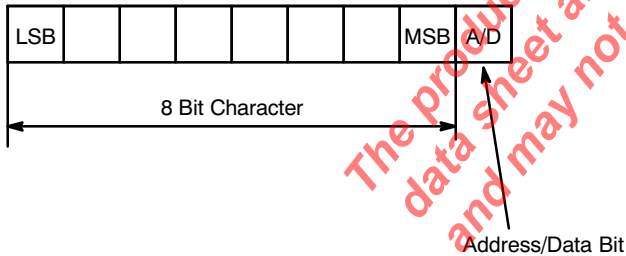


Figure 52. Bit Format of Character Data Being Transmitted in the Multi-Drop Mode

The “Master Station” communicates to the “Slave Stations” by transmitting a character (typically a byte) with an “Address/Data” bit flag appended to the end of the character. This typically results in nine bits of being transmitted for every character byte, as presented in *Figure 52*.

When the “Master Station” wants to transmit a block of data to one of several slaves, it first sends out an Address byte that identifies the “Target Slave”. An address byte differs from a data byte in that the ninth bit is a “1” in an Address Byte and a “0” in a Data Byte.

An Address Byte, however, interrupts all “Slaves” so that each can examine the received byte to test if it (the individual slave device) is being addressed. The receiver of the addressed slave will be enabled and will prepare for reception of the data bytes that follows. The slaves that were not addressed will leaves their Receivers disabled, and will continue to ignore the data bytes that follows. They will be interrupted again when the next address byte is transmitted by the “Master Device”.

H.2.2 QUART Multi-Drop Operation

A given channel, within the QUART is programmed into the Multi-Drop mode by setting $MR1n[4:3] = “1, 1”$. In this mode, a transmitted character consists of a START bit, the programmed number of data bits, the Address/Data (A/D) flag bit; and the programmed STOP bit length. $A/D = 0$ indicates that the character is data, while $A/D = 1$ identifies it as an address.

Transmitter Operation During Multi-Drop Mode

The user/CPU controls the state of the transmitted character by programming $MR1n[2]$ of the channel prior to loading the data bits into the THR. Setting $MR1n[2] = “0”$ results in $A/D = “0”$ and setting $MR1n[2] = “1”$ results in $A/D = “1”$. *Figure 53* presents a procedural flow diagram for transmitting characters (Address or Data), while in the Multi-Drop Mode.

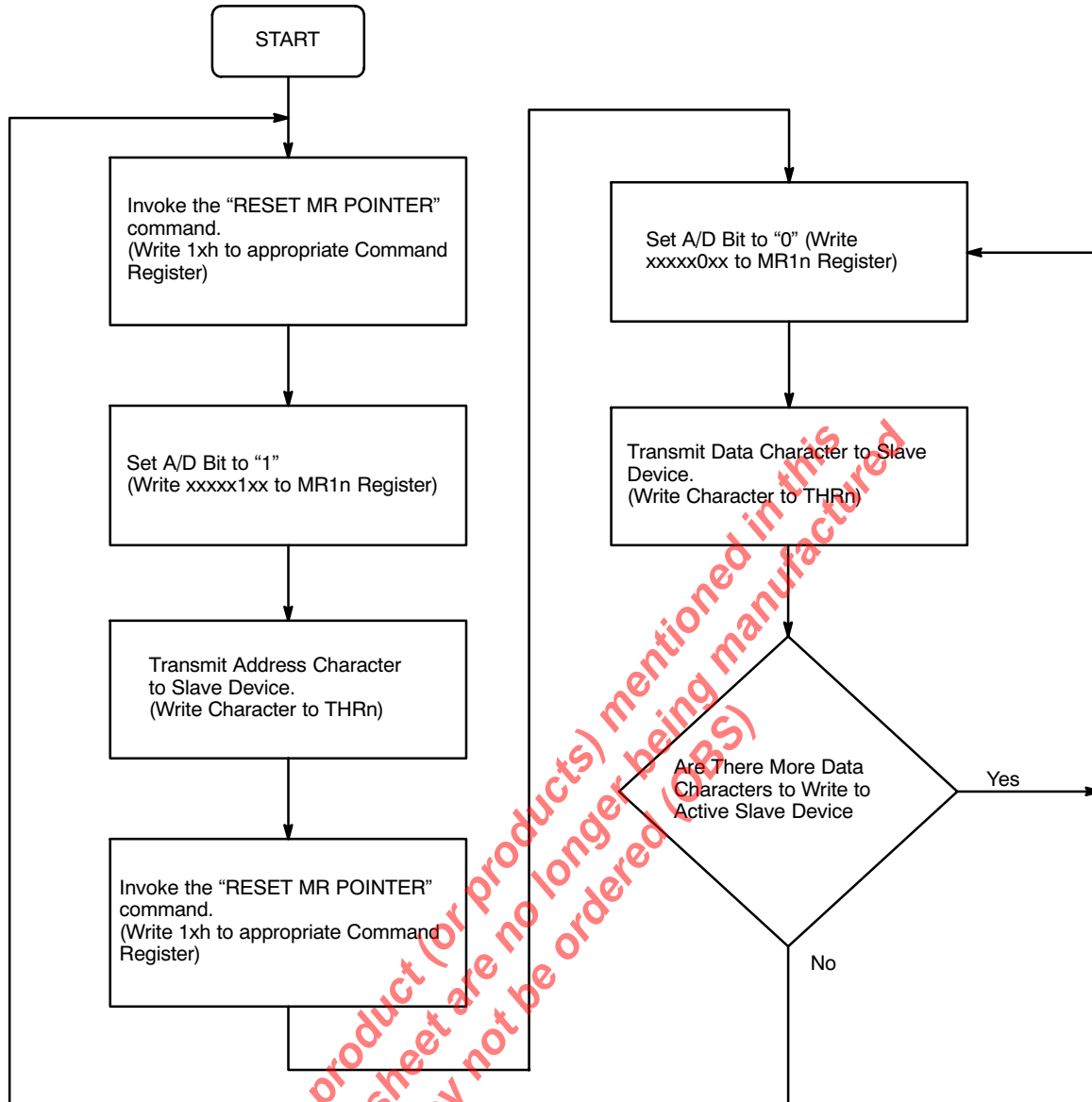


Figure 53. A Flow Diagram Depicting a Procedure that Can Be Used to Transmit Characters in the Multi-Drop Mode

Receiver Operation During Multi-Drop Mode

When a channel has been programmed into the Multi-Drop Mode, and the Receiver has been disabled (a typical configuration), the Receiver will load a character into the RHR and set the RXRDY indicator (and/or interrupt) if the A/D bit is "1" (Address flag). However, the character will be discarded if its A/D bit is "0" (Data flag). Therefore, in response to the RXRDY indicator, the CPU should then read the received character and determine if

the address that it represents matches that of the CPU. If the addresses do match, (indicating that it is the Target Slave), then the CPU should enable the Receiver, in preparation for the subsequent blocks of data.

Once the Receiver has been enabled the Receiver Serial Data will be processed as in Normal Operation. The received characters are accessible to the CPU by reading the RHR. The state of the A/D flag bit is available at SRn[5], the Status Register bit normally used to indicate

“Parity Error”. Therefore, in conjunction with receiver each new character, the CPU should continue to monitor SRn[5] in order to verify that it is a “0” (Data characters).

Once the “Target CPU” detects a new address character, SRn[5] = “1”, it should compare this address with its own.

If the addresses do not match, then this CPU is not the intended recipient of the next block of data, and now should disable the Receiver. *Figure 54* presents a flow diagram depicting a recommended procedure for handling received characters while in the Multi-Drop Mode.

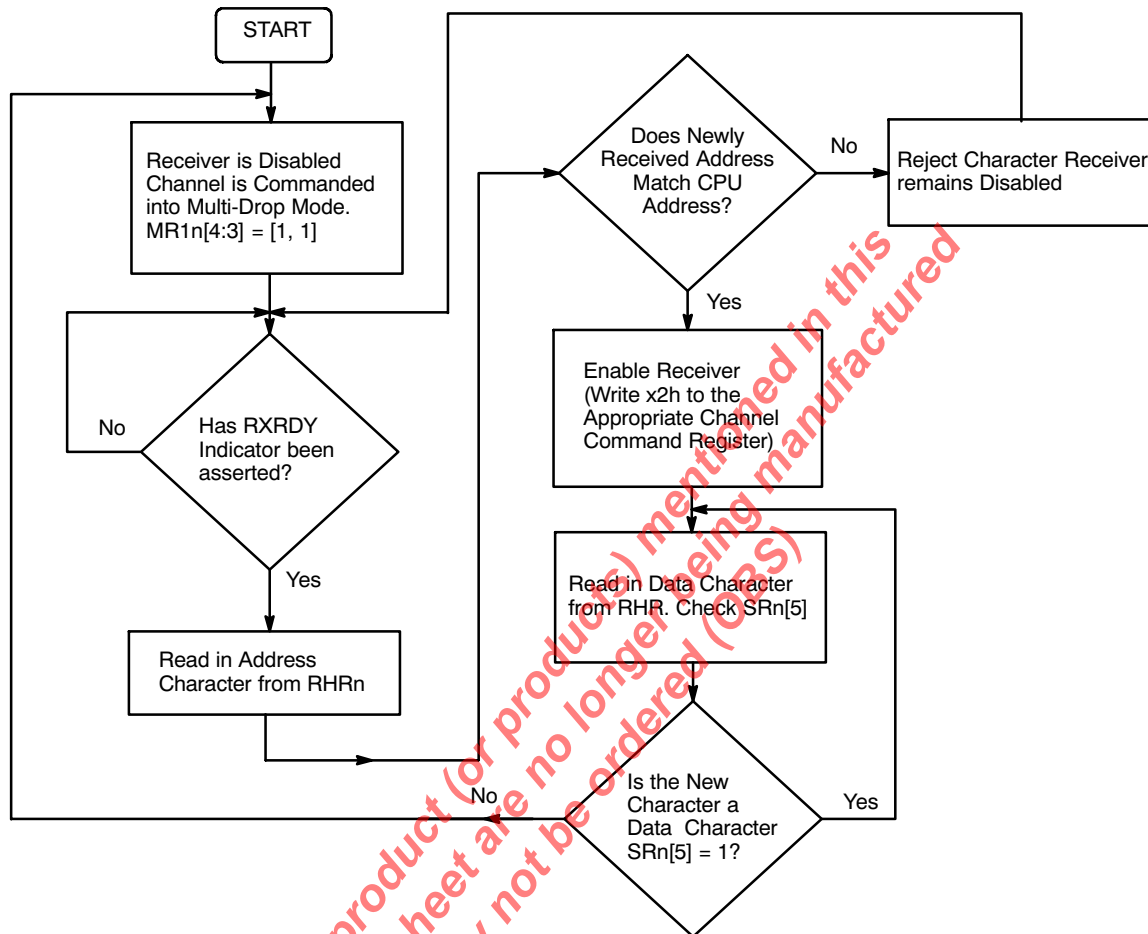


Figure 54. A Flow Diagram Depicting a Procedure That Can Be Used to Receive Characters in the Multi-Drop Mode

H.3 Standby Mode

The QUART may be placed in a standby mode to conserve power when its operation is not required. Upon reset, the QUART will be in the “Active Operation” mode. A “Set Standby Mode” command issued via the channel A Command Register disables all clocks on the device except for the crystal oscillator, which significantly reduces the operating current. In this mode that only functions which will operate correctly are reading the input port, writing the output port and the “Set Active

Mode” command. The latter, also invoked via the Channel A Command register, restores the device to normal operation within 25•s. Resetting the transmitters and receivers and writing 00h into both of the IMRs (Interrupt Mask Registers) before going into the Standby mode is recommended to prevent any spurious interrupts from being generated. The chip should be reprogrammed after the “Set Active Mode” command since register contents are not guaranteed to remain stable during the standby mode. Active operation can also be restored via hardware reset.

I. COMMENTS ABOUT THE XR82C684 IN 44 PIN PLCC

Much of this data sheet discussed features which are available to the QUARTs which are packaged in the 68 pin PLCC. However, because of the reduced number of pins the QUARTs in the 44 pin package do not have the following features.

- The ability to apply external clock signals into the Timing Control Block (other than the X1/CLK pin).
- The ability to configure some the Output Ports to function as the TXRDY and RXRDY/FFULL indicators

J. PROGRAMMING

Operation of the QUART is programmed by writing control words into the appropriate registers, while operational feedback is provided by status registers

which can be read by the CPU. Register addressing is shown in *Table 1*.

A hardware reset clears the contents of the SRn, IMRs, ISRs, OPRs, and OPCR registers and initializes the IVRs to 0F₁₆. During operation, care should be exercised if the contents of control registers are to be changed, since certain changes may result in improper operation. For example, changing the number of bits per character while data is being received may result in reception of erroneous character. In general, changes to registers which control receiver or transmitter operation should be made only while the transmitter or receiver are disabled, and certain changes to the ACRs should be made only when the C/T's are stopped.

Mode, command, clock select, and status registers are duplicated for each channel to provide total independent operation. *NO TAG* summarizes the bit assignments for each register.

Bit 7	Bit 6	Bit 5	Bit 4	Bit 3	Bit 2	Bit 1	Bit 0
Rx RTS Control	Rx Int Select	Error Mode	Parity Mode Select		Parity Select	Number of Bits/Char.	
0 = No 1 = Yes	0=RXRDY 1=FFULL	0= Char. 1= Block	00 = With Parity 01 = Force Parity 10 = No Parity 11 = Multi-Drop Mode		0 = Even 1 = Odd	00 = 5 01 = 6 10 = 7 11 = 8	

Table 28. Mode Registers 1: MR1A, MR1B, MR1C, MR1D

Bit 7	Bit 6	Bit 5	Bit 4	Bit 3	Bit 2	Bit 1	Bit 0
Channel Mode		Tx RTS Control	CTS Enable Tx	Stop Bit Length			
00 = Normal 01 = Auto Echo 10 = Local Loop 11 = Remote Loop		0 = No 1 = Yes	0 = No 1 = Yes	0h = 0.563 1h = 0.625 2h = 0.688 3h = 0.750 4h = 0.813 5h = 0.875 6h = 0.938 7h = 1.000		8h = 1.563 9h = 1.625 Ah = 1.688 Bh = 1.750 Ch = 1.813 Dh = 1.875 Eh = 1.938 Fh = 2.000	

Table 29. Mode Register 2: MR2A, MR2B, MR2C, MR2D

Bit 7	Bit 6	Bit 5	Bit 4	Bit 3	Bit 2	Bit 1	Bit 0
Receiver Clock Select				Transmitter Clock Select			
See <i>Table 6</i>				See <i>Table 6</i>			

Table 30. Clock Select Registers: CSRA, CSRB, CSRC, CSRD

Bit 7	Bit 6	Bit 5	Bit 4	Bit 3	Bit 2	Bit 1	Bit 0
Miscellaneous Commands				Enable/Disable Tx		Enable/Disable Rx	
See Text in Section B.2.				00 = No Change 01 = Enable Tx 10 = Disable Tx 11 = Not Allowed (Do Not Use)		00 = No Change 01 = Enable Tx 10 = Disable Tx 11 = Not Allowed (Do Not Use)	

Table 31. Command Registers: CRA, CRB, CRC, CRD

Bit 7	Bit 6	Bit 5	Bit 4	Bit 3	Bit 2	Bit 1	Bit 0
Received Break	Framing Error	Parity Error	Overrun Error	TXEMT	TXRDY	FFULL	RXRDY
0 = No 1 = Yes	0 = No 1 = Yes	0 = No 1 = Yes	0 = No 1 = Yes	0 = No 1 = Yes	0 = No 1 = Yes	0 = No 1 = Yes	0 = No 1 = Yes

Table 32. Status Registers: SRA, SRB, SRC, SRD

Bit 7	Bit 6	Bit 5	Bit 4	Bit 3	Bit 2	Bit 1	Bit 0
OP7	OP6	OP5	OP4	OP3	OP2		
0=OPR1[7] 1=TXRDYB	0=OPR1[6] 1=TXRDYA	0=OPR1[5] 1=RXRDY/ FFULLB	0=OPR1[4] 1=RXRDY/ FFULLA	00 = OPR1[3] 01 = C/T #1 Output 10 = TXCB (1X) 11 = RXCB (1X)	00 = OPR1[2] 01 = TXCA (16X) 10 = TXCA (1X) 11 = RXCA (1X)		

Table 33. Output Port Configuration Register 1: OPCR1

Bit 7	Bit 6	Bit 5	Bit 4	Bit 3	Bit 2	Bit 1	Bit 0
OP7	OP6	OP5	OP4	OP3	OP2		
0=OPR2[7] 1=TXRDYD	0=OPR2[6] 1=TXRDYC	0=OPR2[5] 1=RXRDY/ FFULLD	0=OPR2[4] 1=RXRDY/ FFULLC	00 = OPR2[3] 01 = C/T #2 Output 10 = TXCD (1X) 11 = RXCD (1X)	00 = OPR2[2] 01 = TXCC (16X) 10 = TXCC (1X) 11 = RXCC (1X)		

Table 34. Output Port Configuration Register 2: OPCR2

Bit 7	Bit 6	Bit 5	Bit 4	Bit 3	Bit 2	Bit 1	Bit 0
BRG Set Select	Counter/Timer #1 Mode and Source			Delta IP3 Interrupt	Delta IP2 Interrupt	Delta IP1 Interrupt	Delta IP0 Interrupt
0 = Set1 1 = Set2	See Table 13			0 = OFF 1 = ON	0 = OFF 1 = ON	0 = OFF 1 = ON	0 = OFF 1 = ON

Table 35. Auxiliary Control Register 1: ACR1

Bit 7	Bit 6	Bit 5	Bit 4	Bit 3	Bit 2	Bit 1	Bit 0
BRG Set Select	Counter/Timer #2 Mode and Source			Delta IP11 Interrupt	Delta IP10 Interrupt	Delta IP9 Interrupt	Delta IP8 Interrupt
0 = Set1 1 = Set2	See Table 13A			0 = OFF 1 = ON	0 = OFF 1 = ON	0 = OFF 1 = ON	0 = OFF 1 = ON

Table 36. Auxiliary Control Register 2: ACR2

Bit 7	Bit 6	Bit 5	Bit 4	Bit 3	Bit 2	Bit 1	Bit 0
Delta IP3	Delta IP2	Delta IP1	Delta IP0	IP3	IP2	IP1	IP0
0 = No 1 = Yes	0 = No 1 = Yes	0 = No 1 = Yes	0 = No 1 = Yes	0 = Low 1 = High	0 = Low 1 = High	0 = Low 1 = High	0 = Low 1 = High

Table 37. Input Port Configuration Register 1, IPCR1

Bit 7	Bit 6	Bit 5	Bit 4	Bit 3	Bit 2	Bit 1	Bit 0
Delta IP11	Delta IP10	Delta IP9	Delta IP8	IP11	IP10	IP9	IP8
0 = No 1 = Yes	0 = No 1 = Yes	0 = No 1 = Yes	0 = No 1 = Yes	0 = Low 1 = High	0 = Low 1 = High	0 = Low 1 = High	0 = Low 1 = High

Table 38. Input Port Configuration Register 2, IPCR2

Bit 7	Bit 6	Bit 5	Bit 4	Bit 3	Bit 2	Bit 1	Bit 0
Input Port Change	Delta Break B	RXRDY/FFULLB	TXRDYB	Counter #1 Ready	Delta Break A	RXRDY/FFULLA	TXRDYA
0 = No 1 = Yes	0 = No 1 = Yes	0 = No 1 = Yes	0 = No 1 = Yes	0 = No 1 = Yes	0 = No 1 = Yes	0 = No 1 = Yes	0 = No 1 = Yes

Table 39. Interrupt Status Register 1, ISR1

Bit 7	Bit 6	Bit 5	Bit 4	Bit 3	Bit 2	Bit 1	Bit 0
Input Port Change	Delta Break D	RXRDY/FFULLD	TXRDYD	Counter #2 Ready	Delta Break C	RXRDY/FFULLC	TXRDYC
0 = No 1 = Yes	0 = No 1 = Yes	0 = No 1 = Yes	0 = No 1 = Yes	0 = No 1 = Yes	0 = No 1 = Yes	0 = No 1 = Yes	0 = No 1 = Yes

Table 40. Interrupt Status Register 2, ISR2

Bit 7	Bit 6	Bit 5	Bit 4	Bit 3	Bit 2	Bit 1	Bit 0
Input Port Change	Delta Break B	RXRDY/FFULLB	TXRDYB	Counter #1 Ready	Delta Break A	RXRDY/FFULLA	TXRDYA
0 = Off 1 = On	0 = Off 1 = On	0 = Off 1 = On	0 = Off 1 = On	0 = Off 1 = On	0 = Off 1 = On	0 = Off 1 = On	0 = Off 1 = On

Table 41. Interrupt Mask Register 1, IMR1

Bit 7	Bit 6	Bit 5	Bit 4	Bit 3	Bit 2	Bit 1	Bit 0
Input Port Change	Delta Break D	RXRDY/FFULLD	TXRDYD	Counter #2 Ready	Delta Break C	RXRDY/FFULLC	TXRDYC
0 = Off 1 = On	0 = Off 1 = On	0 = Off 1 = On	0 = Off 1 = On	0 = Off 1 = On	0 = Off 1 = On	0 = Off 1 = On	0 = Off 1 = On

Table 42. Interrupt Mask Register 2, IMR2

Bit 7	Bit 6	Bit 5	Bit 4	Bit 3	Bit 2	Bit 1	Bit 0
C/T(15)	C/T(14)	C/T(13)	C/T(12)	C/T(11)	C/T(10)	C/T(9)	C/T(8)

Table 43. Counter/Timer Upper Byte Register, CTUR (applies to CTUR1 and CTUR2)

Bit 7	Bit 6	Bit 5	Bit 4	Bit 3	Bit 2	Bit 1	Bit 0
C/T(7)	C/T(6)	C/T(5)	C/T(4)	C/T(3)	C/T(2)	C/T(1)	C/T(0)

Table 44. Counter/Timer Lower Byte Register, CTLR (applies to CTLR1 and CTLR2)

Bit 7	Bit 6	Bit 5	Bit 4	Bit 3	Bit 2	Bit 1	Bit 0
IVR(7)	IVR(6)	IVR(5)	IVR(4)	IVR(3)	IVR(2)	IVR(1)	IVR(0)

Table 45. Interrupt Vector Register: IVR (applies to IVR1 and IVR2)

K. Timing Diagrams

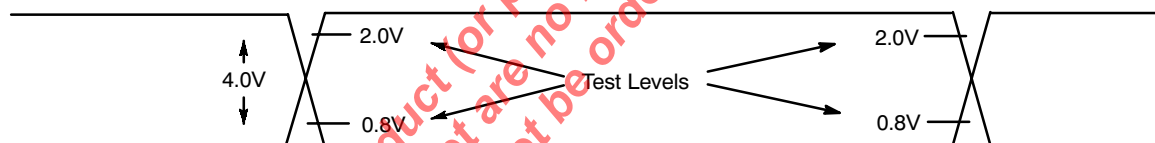


Figure 55. Input and Output Levels for Timing Measurements

Note: AC testing inputs are driven at 0.4V for a logic “0” and 2.4V for a logic “1” except for -40 to 85°C and -55 to 125°C, logic “1” shall be 2.6V. Timing measurements are made at 0.8V for a logic “0” and 2.0V for a logic “1”.

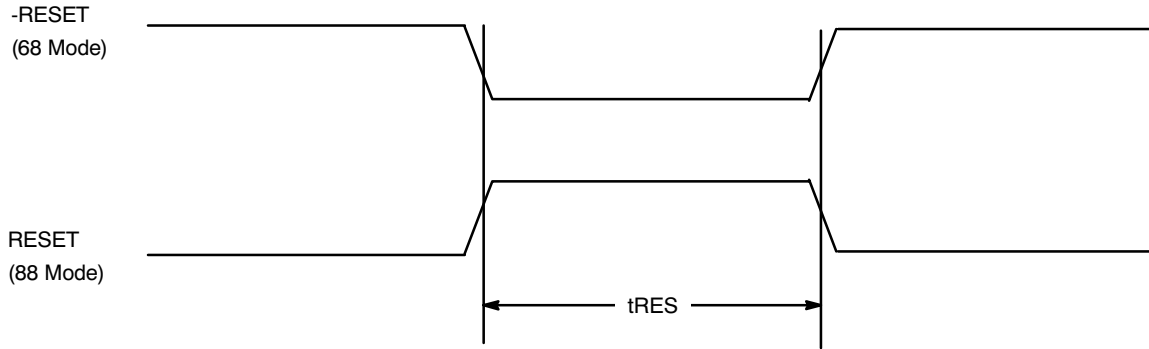


Figure 56. Reset Timing

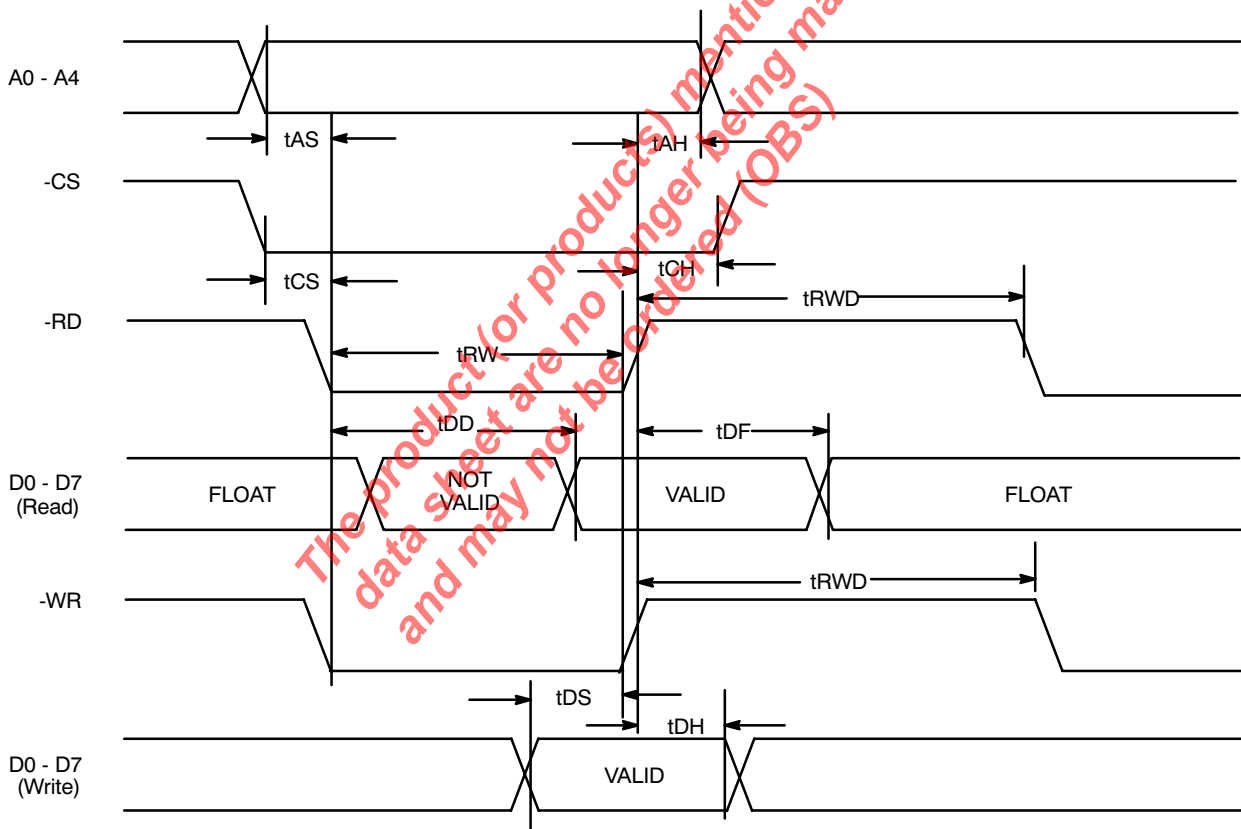


Figure 57. XR82C684 Read and Write Cycle Timing (88 Mode)

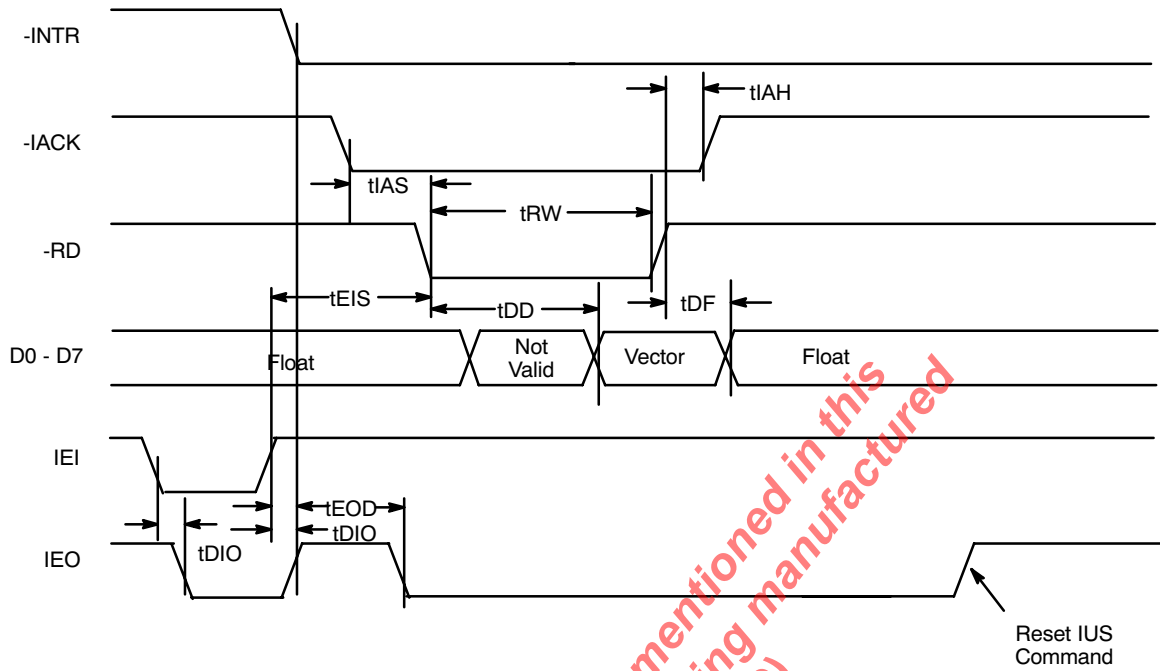


Figure 58. XR82C684 Z Mode Interrupt Cycle Timing (88 - Mode)

The product (or products) mentioned in this data sheet are no longer being manufactured and may not be ordered (OES)

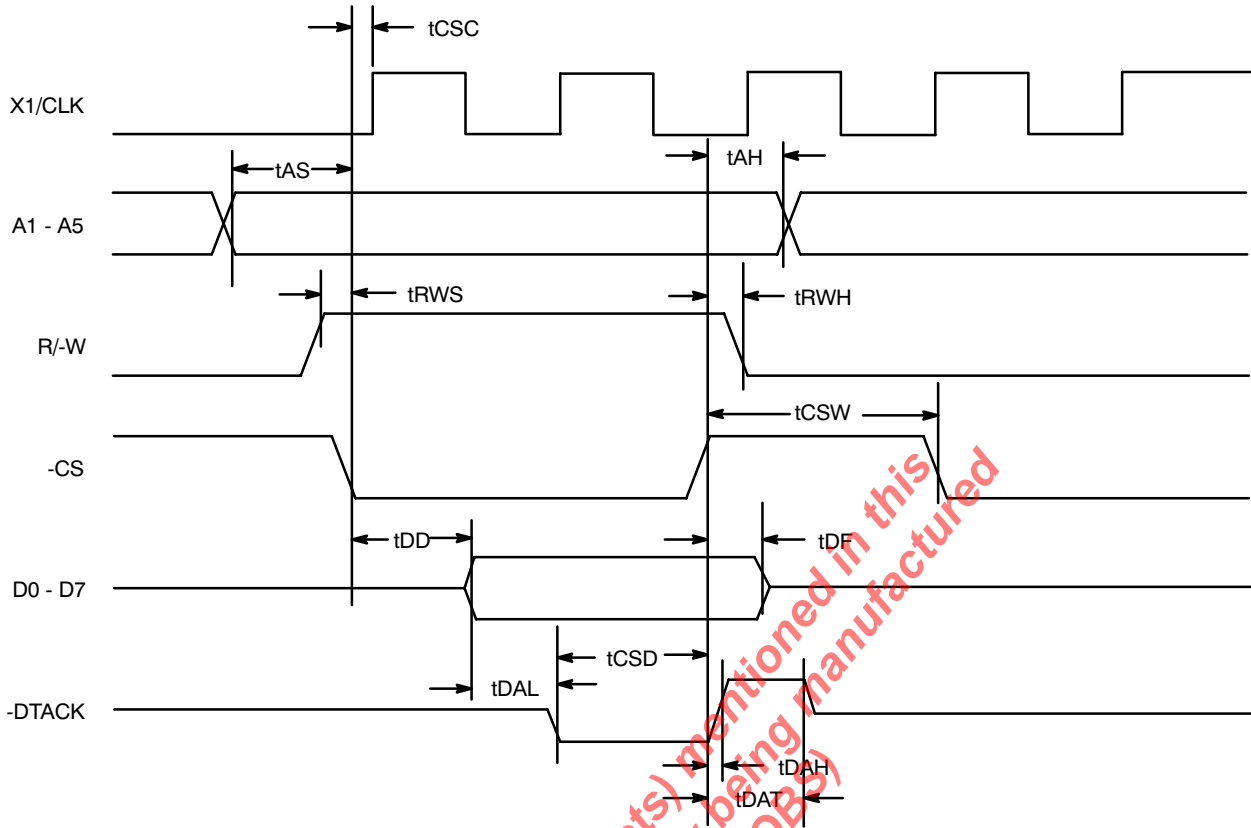


Figure 59. XR82C684 Read Cycle Timing (68 - Mode)

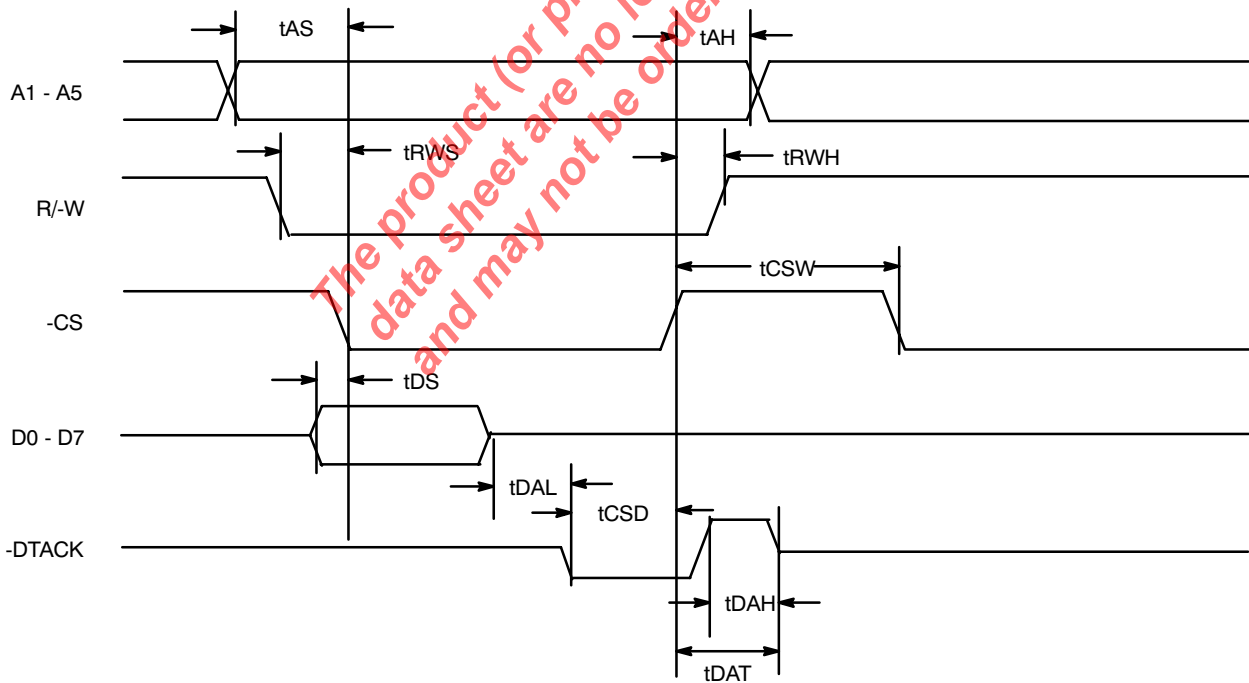


Figure 60. XR82C684 Write Cycle Timing (68 - Mode)

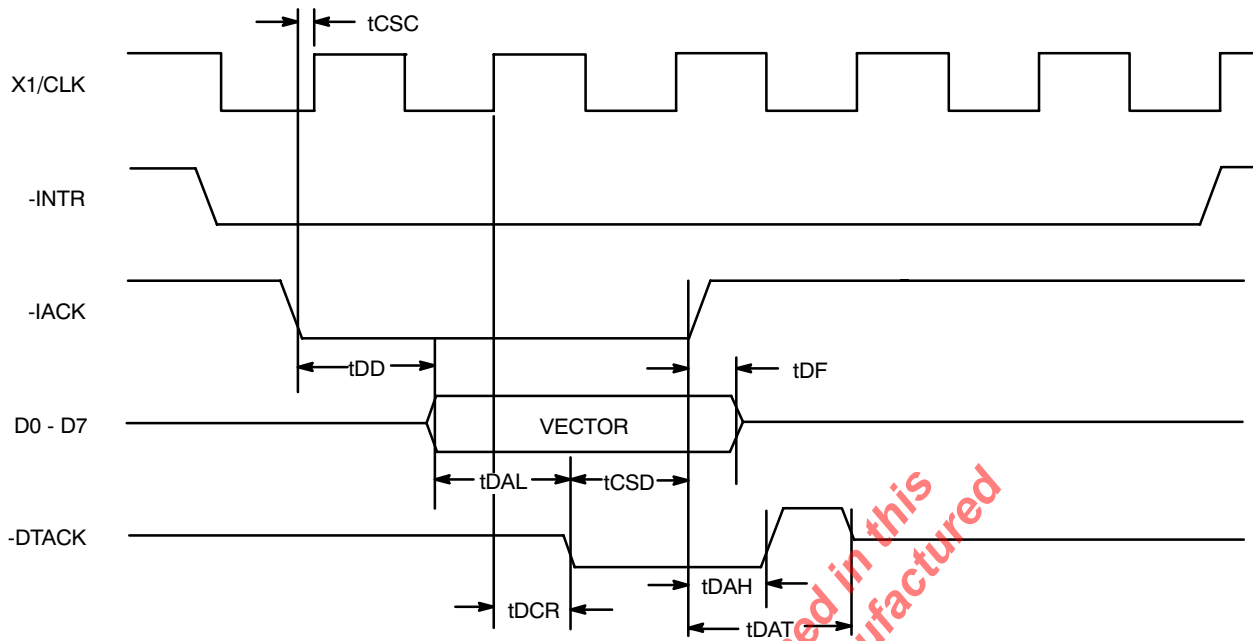


Figure 61. XR82C684 Interrupt Cycle Timing (68 - Mode)

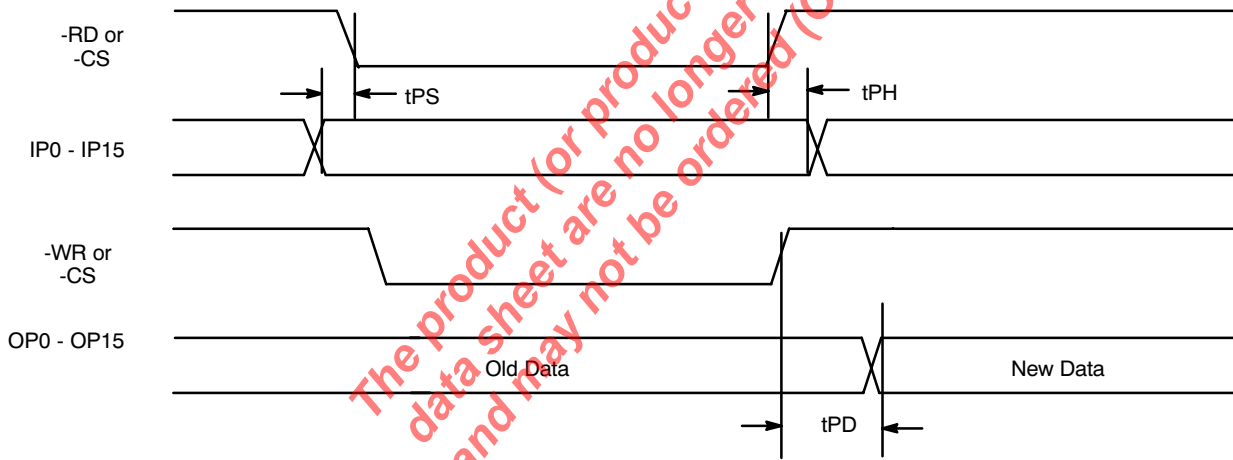


Figure 62. Port Timing

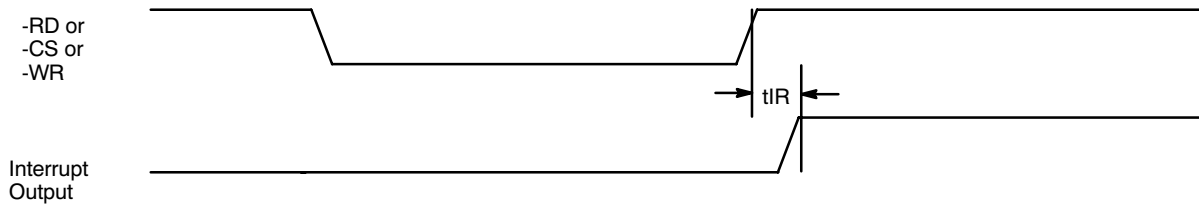


Figure 63. Interrupt Timing

C1: 10pF + (Stray < 5pF)

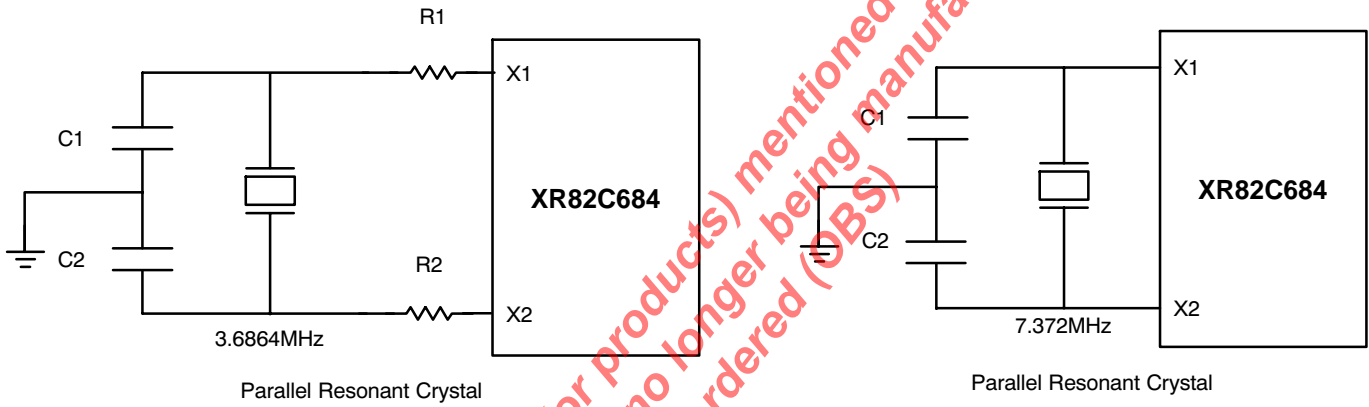
C2: 10pF + (Stray < 5pF)

R1: 100ohm

R2: 100ohm

C1: 10 - 15pF + (Stray < 5pF)

C2: 0 - 5pF + (Stray < 5pF)



X1/CLK
C/T CLK
RXC
TXC

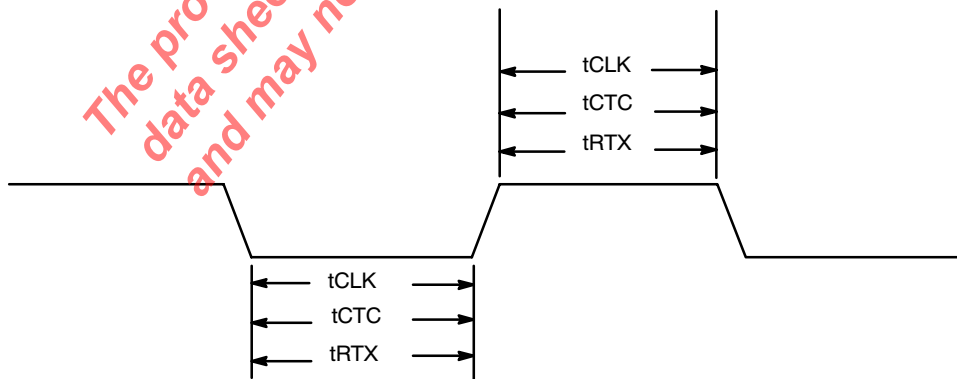


Figure 64. Clock Timing



Figure 65. Transmitter Timing

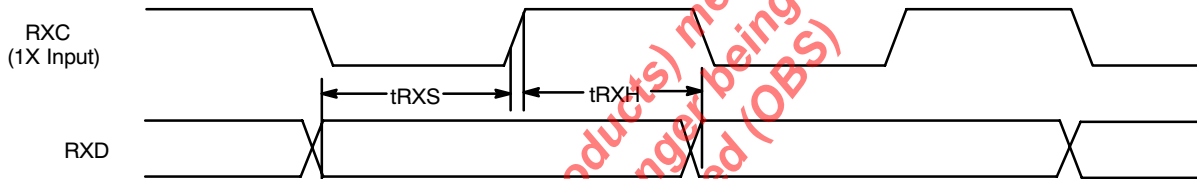
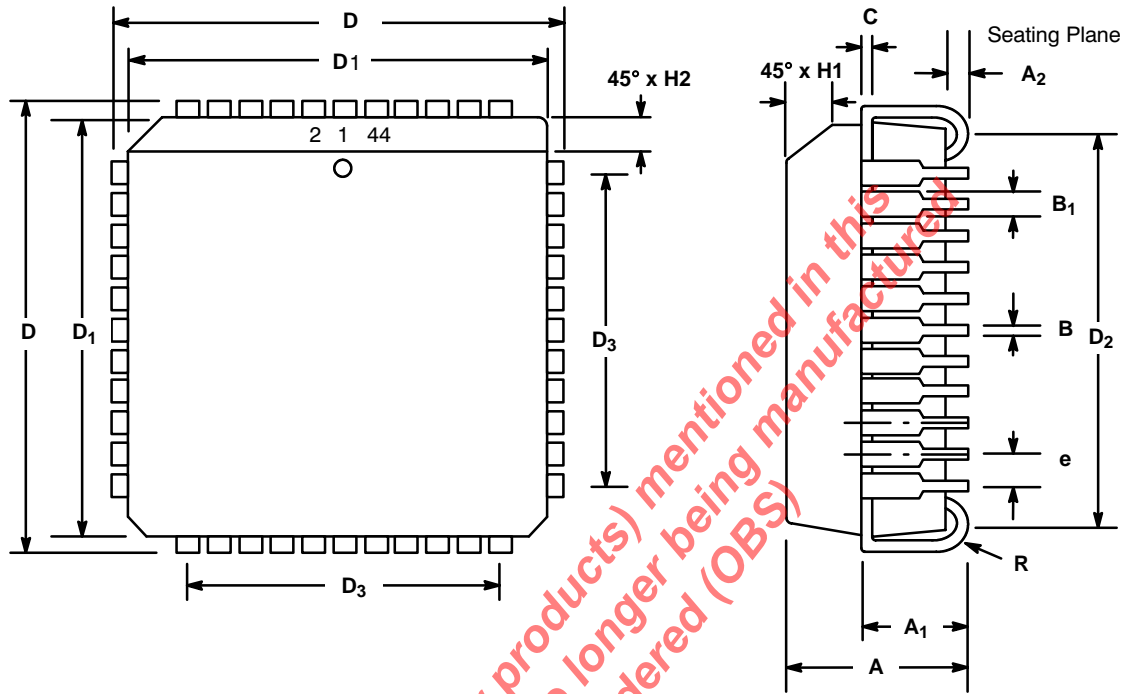


Figure 66. Receiver Timing

The product (or products) mentioned in this data sheet are no longer being manufactured and may not be ordered (OBS)

**44 LEAD PLASTIC LEADED CHIP CARRIER
(PLCC)**

Rev. 1.00

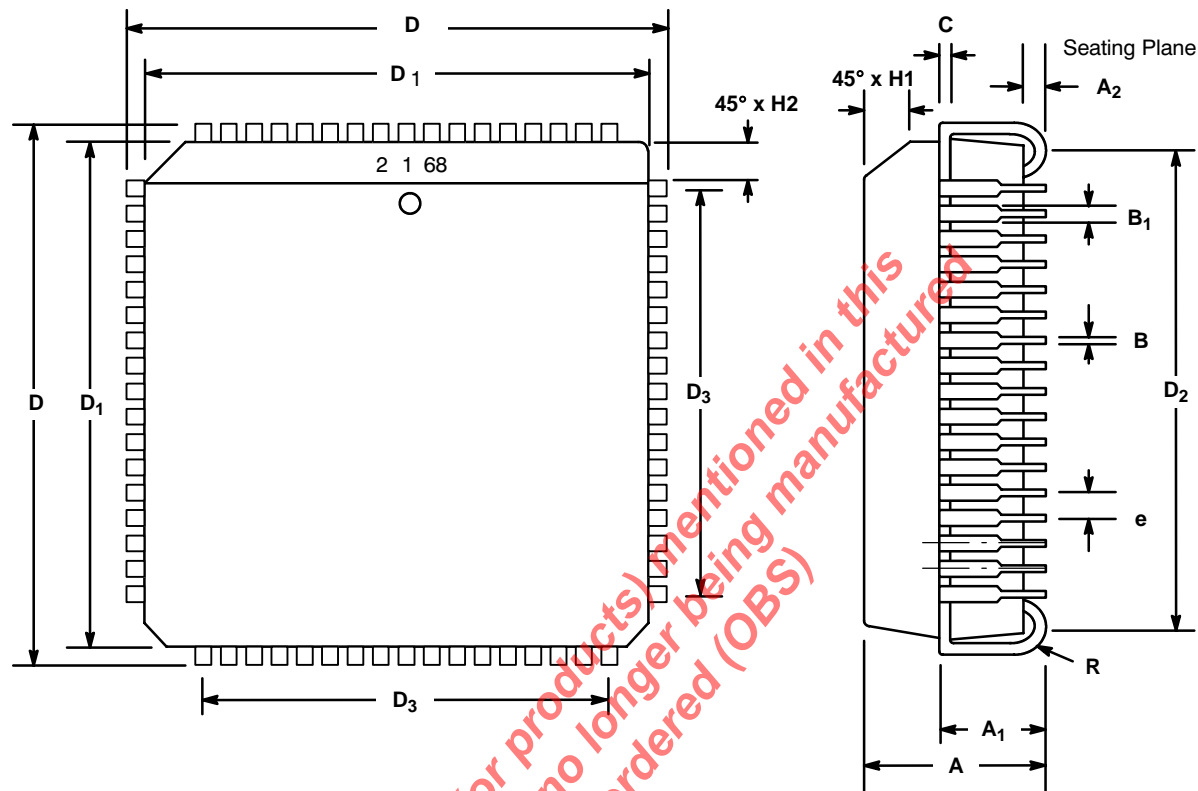


SYMBOL	INCHES		MILLIMETERS	
	MIN	MAX	MIN	MAX
A	0.165	0.180	4.19	4.57
A ₁	0.090	0.120	2.29	3.05
A ₂	0.020	----	0.51	----
B	0.013	0.021	0.33	0.53
B ₁	0.026	0.032	0.66	0.81
C	0.008	0.013	0.19	0.32
D	0.685	0.695	17.40	17.65
D ₁	0.650	0.656	16.51	16.66
D ₂	0.590	0.630	14.99	16.00
D ₃	0.500 typ.		12.70 typ.	
e	0.050 BSC		1.27 BSC	
H1	0.042	0.056	1.07	1.42
H2	0.042	0.048	1.07	1.22
R	0.025	0.045	0.64	1.14

Note: The control dimension is the inch column

68 LEAD PLASTIC LEADED CHIP CARRIER (PLCC)

Rev. 1.00



SYMBOL	INCHES		MILLIMETERS	
	MIN	MAX	MIN	MAX
A	0.165	0.200	4.19	5.08
A ₁	0.090	0.130	2.29	3.30
A ₂	0.020	----	0.51	----
B	0.013	0.021	0.33	0.53
B ₁	0.026	0.032	0.66	0.81
C	0.008	0.013	0.19	0.32
D	0.985	0.995	25.02	25.27
D ₁	0.950	0.958	24.13	24.33
D ₂	0.890	0.930	22.61	23.62
D ₃	0.800 typ.		20.32 typ.	
e	0.050 BSC		1.27 BSC	
H1	0.042	0.056	1.07	1.42
H2	0.042	0.048	1.07	1.22
R	0.025	0.045	0.64	1.14

Note: The control dimension is the inch column

*The product (or products) mentioned in this
datasheet are no longer being manufactured
(OBS)*

NOTICE

EXAR Corporation reserves the right to make changes to the products contained in this publication in order to improve design, performance or reliability. EXAR Corporation assumes no responsibility for the use of any circuits described herein, conveys no license under any patent or other right, and makes no representation that the circuits are free of patent infringement. Charts and schedules contained here in are only for illustration purposes and may vary depending upon a user's specific application. While the information in this publication has been carefully checked; no responsibility, however, is assumed for inaccuracies.

EXAR Corporation does not recommend the use of any of its products in life support applications where the failure or malfunction of the product can reasonably be expected to cause failure of the life support system or to significantly affect its safety or effectiveness. Products are not authorized for use in such applications unless EXAR Corporation receives, in writing, assurances to its satisfaction that: (a) the risk of injury or damage has been minimized; (b) the user assumes all such risks; (c) potential liability of EXAR Corporation is adequately protected under the circumstances.

Copyright 1999 EXAR Corporation
Datasheet September 1999

Reproduction, in part or whole, without the prior written consent of EXAR Corporation is prohibited.