

## 20A Integrated Power Stage “DrMOS” with Current and Temperature Monitoring

### General Description

The XR78021 is an integrated power stage containing a synchronous buck gate driver which is packaged with both half bridge MOSFETs designed to provide output currents up to 20Amps. Also known as “DrMOS” (Driver plus MOSFETs), the package design provides very low thermal impedance and excellent EMI performance by minimizing parasitic inductances. The ratio of the MOSFET  $R_{DS(ON)}$  is optimized for conversions from 12V rails to the low output voltages required for the latest processor and chipsets of computing systems.

Computing systems are demanding more and more telemetry of the power system. The XR78021 monitors internal temperature (TOUT pin) and uses that temperature information to provide a temperature corrected current output (IOUT pin) derived from the inductor DCR. The output current information has minimal phase delay and is suitable for use with current mode PWM and valley current mode constant on-time control.

TOUT serves the secondary function of a fault flag for  $V_{CC}$  UVLO and Over-Temp fault. The XR78021 is offered in a 4 x 5 x 0.9mm QFN package.

### Typical Application

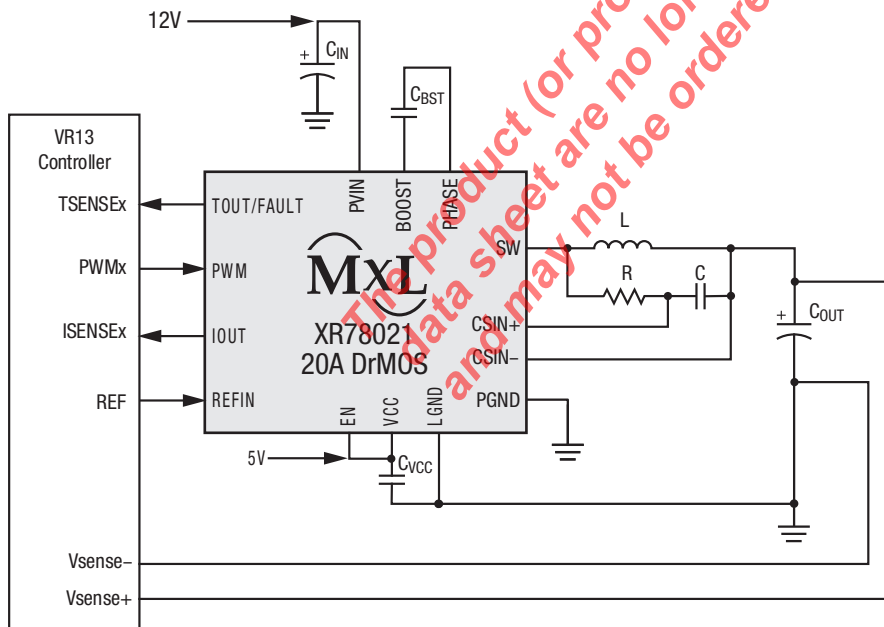


Figure 1: Typical Application Circuit

### FEATURES

- 20A Integrated Power Stage
- Input Voltage Range: 4.5V to 17V
- Output Voltage Range: 0.6V to 3.3V
  - 0.6V to 5.5V without current sense
- IMON output 5mV/A (DCR=0.29mΩ) with temperature compensation
  - Suitable for current mode control loops
  - Trimmed and tested at 27°C
- TOUT output 8mV/°C with fault flags for  $V_{CC}$  UVLO and temperature
- Designed for 3.3V tristate PWM outputs
- Boost pin refresh
- 4 x 5 x 0.9mm RoHS compliant package

### APPLICATIONS

- Servers
- Networking Equipment
- Industrial PC

Ordering Information - [Back Page](#)

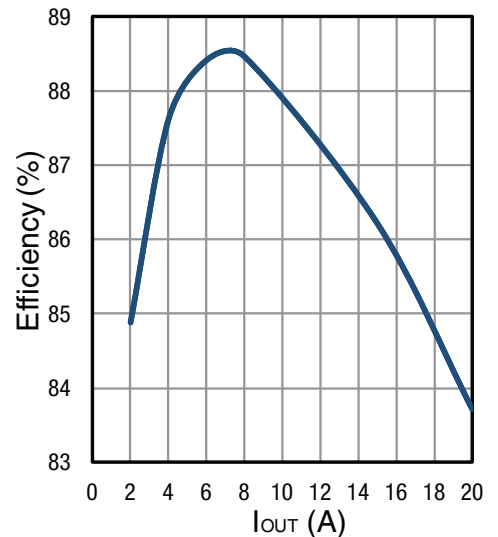


Figure 2: Efficiency 12VIN 1VOUT 600kHz

## Absolute Maximum Ratings

Stresses beyond the limits listed below may cause permanent damage to the device. Exposure to any Absolute Maximum Rating condition may affect device reliability and lifetime.

PV <sub>IN</sub> .....	-0.3V to 25V
SW, PHASE.....	-1V to 25V <sup>(1)</sup>
V <sub>CC</sub> .....	-0.3V to 6V
BOOST .....	-0.3V to 29V <sup>(2)</sup>
PWM, IOUT, GATEL, EN, TOUT .....	-0.3V to V <sub>CC</sub> +0.3V
CSIN-, CSIN+ .....	-0.3V to V <sub>CC</sub> +0.3V
REFIN.....	-0.3V to 3.5V
Storage Temperature Range.....	-65°C to 150°C
Peak Package Body Temperature.....	260°C
MSL .....	2
ESD rating (HBM – human body model) .....	2kV
ESD rating (CDM – Charged Device Model).....	750V

## Operating Conditions

V <sub>CC</sub> .....	4.25V to 5.5V
PV <sub>IN</sub> .....	3V to 17V
SW.....	-1V to 17V <sup>(1)</sup>
V <sub>CC</sub> , EN.....	-0.3V to 5.5V
CSIN-, CSIN+ .....	-0.3V to 3.3V
Switching Frequency .....	up to 1500kHz
Junction Temperature Range (T <sub>J</sub> ).....	-40°C to 125°C
JEDEC51 Package Thermal Resistance $\Theta_{JA}$ .....	24.2°C/W
Thermal Resistance, $\Theta_{JCBOT}$ .....	4.9°C/W

Note 1: SW pin's DC range is -1V, transient is -5V for less than 50ns.

Note 2: No external voltage applied.

**The product (or products) mentioned in this data sheet are no longer being manufactured and may not be ordered (OBS)**

## Electrical Characteristics

Specifications are for Operating Junction Temperature of  $T_J = 27^\circ\text{C}$  only; limits applying over the full Operating Junction Temperature range are denoted by a “\*”. Typical values represent the most likely parametric norm at  $T_J = 27^\circ\text{C}$ , and are provided for reference purposes only. Unless otherwise indicated,  $PV_{IN}=12\text{V}$ ,  $V_{CC}=5\text{V}$ .

Symbol	Parameter	Conditions	•	Min	Typ	Max	Units
DC Specifications							
$V_{VCC}$	$V_{CC}$ input range		•	4.25	5.0	5.5	V
$I_{q\_DC}$	Non-switching quiescent current	EN = Vcc, PWM floating				5.1	mA
$I_{q\_shutdown}$	Shutdown quiescent current	EN = 0V				300	$\mu\text{A}$
$I_{q\_leakage}$	$PV_{IN}$ leakage current in tri-state	EN = 5V, PWM = Tri-state			0.1		$\mu\text{A}$
$V_{UVLO}$	$V_{CC}$ UVLO Threshold	$V_{CC}$ rising		3.5	3.7	3.9	V
$V_{UVLO\_HYST}$	$V_{CC}$ UVLO Hysteresis	$V_{CC}$ falling			300		mV
EN Input							
$V_{IH\_EN}$	Logic level high, chip enabled			2			V
$V_{IL\_EN}$	Logic level low, chip shutdown					0.8	V
$t_{DLY\_ENH}$	Delay EN transitions from 0 to 1				4.4		us
$t_{DLY\_ENL}$	Delay EN transitions from 1 to 0				37	45	ns
$R_{PLD\_EN}$	Enable pull down resistance				570		k $\Omega$
PWM Input							
$V_{IH\_PWM}$	Logic level high			2.5			V
$V_{IL\_PWM}$	Logic level low					0.8	V
$V_{PWM\_HYST}$	PWM hysteresis	Active to tristate or tristate to active		80	110	140	mV
$V_{TRI\_PWM}$	Tristate voltage measured on PWM	PWM = FLOAT		1.4	1.65	1.8	V
$R_{IN\_PWM}$	PWM input resistance	EN = HIGH			8		k $\Omega$
$t_{PD\_IH}$	PWM high propagation delay	PWM logic low $\rightarrow$ high to SW high			40		ns
$t_{PD\_IL}$	PWM low propagation delay	PWM logic high $\rightarrow$ low to SW low			40		ns
$t_{PD\_IL\_TRI}$	PWM low to tristate propagation delay	PWM logic low $\rightarrow$ tristate to GL falling			25	45	ns
$t_{PD\_TRI\_IH}$	PWM tristate to high propagation delay	PWM tristate $\rightarrow$ logic high to SW >1V			25		ns
$t_{MIN\_ONTIME}$	Minimum on-time measured at SW	15ns < PWM Input < 30ns			40		ns
$t_{MIN\_PWM}$	Minimum pulse width resulting in no output pulse				15		ns

## Electrical Characteristics (continued)

Specifications are for Operating Junction Temperature of  $T_J = 27^\circ\text{C}$  only; limits applying over the full Operating Junction Temperature range are denoted by a “•”. Typical values represent the most likely parametric norm at  $T_J = 27^\circ\text{C}$ , and are provided for reference purposes only. Unless otherwise indicated,  $V_{IN}=12\text{V}$ ,  $V_{CC}=5\text{V}$ .

Symbol	Parameter	Conditions	•	Min	Typ	Max	Units
<b>TOUT Output</b>							
$V_{TOUT\_SLOPE}$	Temperature sense slope	$0^\circ\text{C} \leq T_J \leq 125^\circ\text{C}$		7.8	8.0	8.2	mV/°C
$T_{SNSOFFSET}$	Temperature sense offset ( $27^\circ\text{C}$ )			0.798	0.816	0.834	°C
$I_{TOUT\_SOURCE}$	TOUT source current	TMON driven down 2%			22		mA
$I_{TOUT\_SINK}$	TOUT sink current	TMON driven up 2%			75		$\mu\text{A}$
$R_{PLD\_TOUT}$	TOUT pull down resistance				30		k $\Omega$
$V_{TOUT\_OH}$	TOUT fault level high	TEMP fault active		2.6	3.3	3.6	V
$I_{TOUT\_SC}$	TOUT short circuit source current	TOUT = 0V		5			mA
$V_{TOUT\_OL}$	TOUT fault level low	$V_{CC}$ UVLO fault active. No external pullup.			1	280	mV
<b>Current Monitor (IMON) Specifications</b>							
$I_{BIAS\_CSIN}$	CSIN+ and CSIN– input bias current			-100	$\pm 1$	100	nA
$V_{OS\_CSIN}$	Input referred offset voltage	CSIN+ = CSIN– = REFIN; Measure input referred offset from REFIN		-450		450	$\mu\text{V}$
$G_{65^\circ\text{C\_IMON}}$	Gain of IMON amplifier at $65^\circ\text{C}$	$T_J = 65^\circ\text{C}$ , $V_{CC} = 5\text{V}$ , $V_{REFIN} = 1.2\text{V}$ , $V_{OUT} = 1.2\text{V}$			15.0		V/V
$G_{27^\circ\text{C\_IMON}}$	Gain of IMON amplifier at $27^\circ\text{C}$	$T_J = 27^\circ\text{C}$ , $V_{CC} = 5\text{V}$ , $V_{REFIN} = 1.2\text{V}$ , $V_{OUT} = 1.2\text{V}$		16.73	17.25	17.77	V/V
$f_{UNITY\_IMON}$	Unity Gain Bandwidth of IMON signal path	$C_{IOUT} = 10\text{pF}$			10		MHz
$t_{DELAY}$	IMON propagation delay				90		ns
$S_R$	Slew rate of IOOUT				4		V/ $\mu\text{s}$
$V_{ICM\_CSIN}$	Common mode input voltage range	$V_{CC} = 4.25\text{V}$		0		2.5	V
$V_{ICM\_CSIN}$	Common mode input voltage range	$V_{CC} \geq 5.0\text{V}$		0		3.3	V
$I_{SINK\_IOUT}$	IOOUT sink current	$V_{IOUT} - V_{REFIN}$ rises 2% from 150mV		1.2	1.5		mA
$I_{SOURCE\_IOUT}$	IOOUT source current	$V_{IOUT} - V_{REFIN}$ falls 2% from 150mV		1.4	5.1		mA
<b>Fault Flag – Temperature</b>							
$T_{OT\_HIGH}$	Over temperature rising trip threshold				140		°C
$T_{OT\_LOW}$	Over temperature hysteresis				25		°C
<b>BOOST UVLO and <math>C_{BOOST}</math> Refresh – High Side Gate Drive</b>							
$V_{BOOST\_SW\_START}$	Gate voltage required to start switching	Voltage rising			3.5		V
$V_{BOOST\_SW\_HYST}$	UVLO hysteresis				200		mV
$V_{BOOST\_SW\_REFRESH}$	Gate voltage required to activate $C_{BOOST}$ refresh	Voltage falling, PWM = Tristate > 5us			3.5		V
$V_{REFRESH\_HYST}$	$C_{BOOST}$ refresh hysteresis	Voltage rising, PWM = Tristate > 5us			200		mV

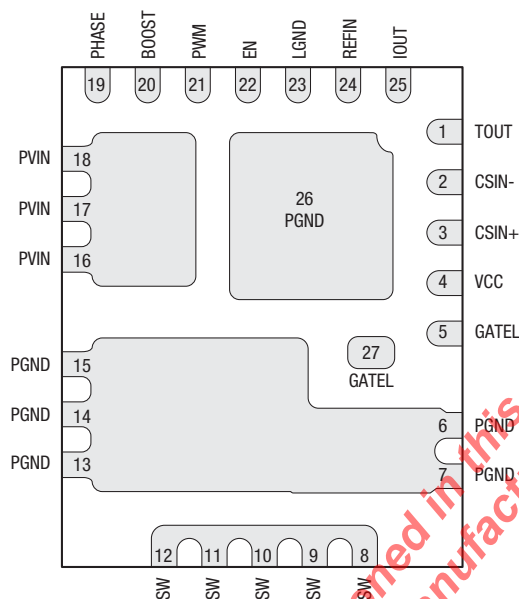
## Electrical Characteristics (Continued)

Specifications are for Operating Junction Temperature of  $T_J = 27^\circ\text{C}$  only; limits applying over the full Operating Junction Temperature range are denoted by a “•”. Typical values represent the most likely parametric norm at  $T_J = 27^\circ\text{C}$ , and are provided for reference purposes only. Unless otherwise indicated,  $PV_{IN}=12\text{V}$ ,  $V_{CC}=5\text{V}$ .

Symbol	Parameter	Conditions	•	Min	Typ	Max	Units
High-Side MOSFET							
$BV_{DSS}$	Drain to source breakdown voltage	$V_{GS} = 0\text{V}$		30			V
$R_{DS(ON)}$	Drain to source on resistance	$T_J = 27^\circ\text{C}$			4.7		$\text{m}\Omega$
		$T_J = 65^\circ\text{C}$			5.6		$\text{m}\Omega$
Low-Side MOSFET							
$BV_{DSS}$	Drain to source breakdown voltage	$V_{GS} = 0\text{V}$		30			V
$R_{DS(ON)}$	Drain to source on resistance	$T_J = 27^\circ\text{C}$			2.9		$\text{m}\Omega$
		$T_J = 65^\circ\text{C}$			3.4		$\text{m}\Omega$

The product (or products) mentioned in this data sheet are no longer being manufactured and may not be ordered (OBS)

## Pin Configuration



## Pin Functions

Pin Number	Pin Name	Description
1	TOUT/ FAULT	The voltage at this pin is defined by the equation $8mV * (\text{Celsius Temperature}) + 0.6V$ . This pin will be pulled low under an UVLO condition. This pin will be pulled to 3.3V when an Over Temp fault is detected.
2	CSIN-	Inverting input to the current sense amplifier. Connect to LGND if the current sense amplifier is not used.
3	CSIN+	Non-inverting input to the current sense amplifier. Connect to LGND if the current sense amplifier is not used.
4	VCC	Bias voltage for BOTH control logic and gate drivers. This VCC pin is monitored by an UVLO circuit. Connect a high quality low ESR 2.2 $\mu$ F X6S 10V 0402 ceramic capacitor.
5, 27	GATEL	Synchronous MOSFET driver pins that can be connected to a test point in order to observe the waveform.
8-12	SW	Switch node of synchronous buck converter.
6, 7, 13-15, 26	PGND	Power grounds of the synchronous MOSFET and also the MOSFET drivers.
16-18	PVIN	High current input voltage connection. Recommended operating range is 4.5V to 17V. Connect at least two 10 $\mu$ F 1206 ceramic capacitors and a 0.1 $\mu$ F 0402 ceramic capacitor. Place the capacitors as close as possible to PVIN pins and PGND pins (pin 15). The 0.1 $\mu$ F 0402 capacitor should be on the same side of the PCB as the XR78021.
19	PHASE	The internal switch node dedicated for Bootstrap capacitor connection.
20	BOOST	Bootstrap capacitor connection. Connect a 0.22 $\mu$ F capacitor from BOOST to PHASE (pin 19). The bootstrap capacitor provides the charge to turn on the control MOSFET.
21	PWM	Tri-State PWM input: "High" turns control MOSFET on; "Tri-state" turns both MOSFETs off; "Low" turns the synchronous MOSFET on. Body braking and diode emulation can be controlled by placing the PWM input to tri-state. 3.3V logic level PWM input and VCC tolerant.
22	EN	Pulling EN high enables the driver; pulling EN low disables the driver and enter low-quiescent current mode. Floating this pin is not recommended. However a low current pull-down is embedded to keep the driver off if the pin is floating. Pin is VCC tolerant.
23	LGND	Signal ground. All signals are referenced to this pin.
24	REFIN	Reference voltage input from the PWM controller. IOU signal is referenced to the voltage on this pin. Connect to LGND if the current sense amplifier is not used.
25	IOU	Current output signal. Voltage on this pin is equal to $V_{REFIN} + \text{Gain} * (V_{CSIN+} - V_{CSIN-})$ . Float this pin if the current sense amplifier is not used. Gain = 15 @ 65°C, Gain = 17.25 @ 27°C

### Typical Performance Characteristics

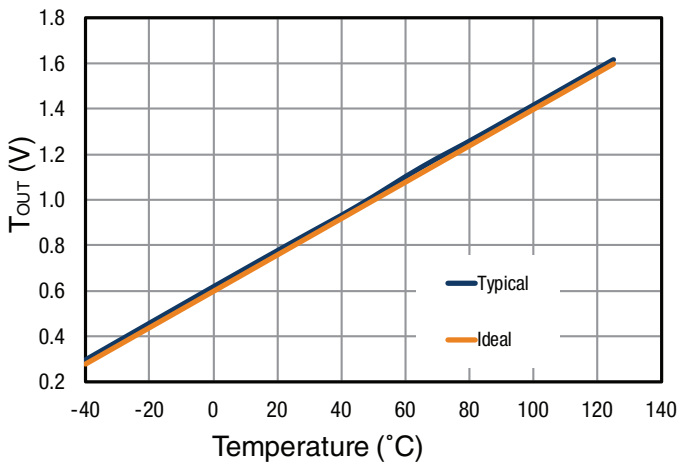


Figure 3: TMON Output vs. Ideal

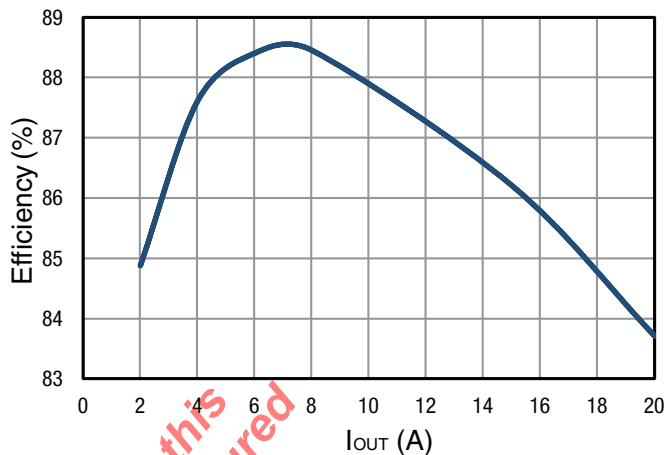


Figure 4: Efficiency – 12VIN, 1VOUT, 600kHz

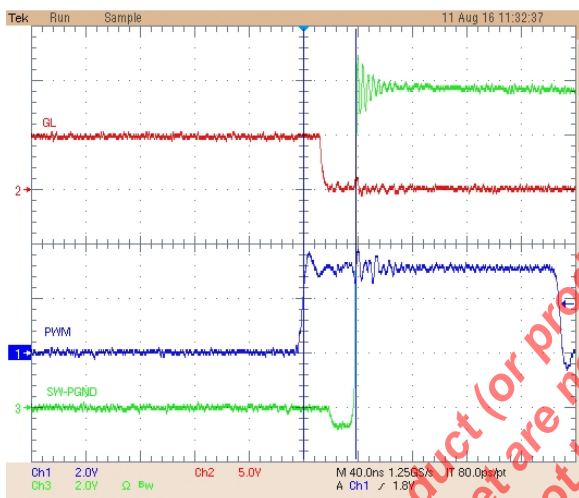


Figure 5: PWM High to SW Delay

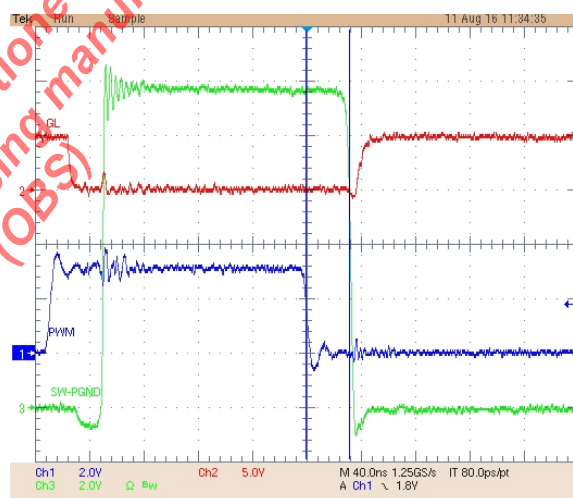


Figure 6: PWM Low to SW Delay

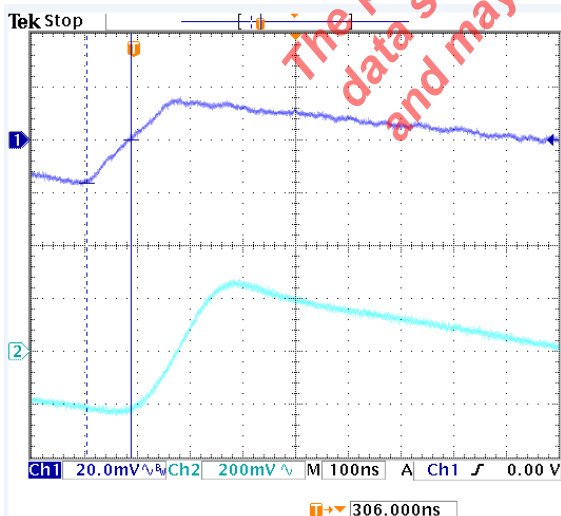


Figure 7: CS Input Signal vs IOUT, Non-Switching

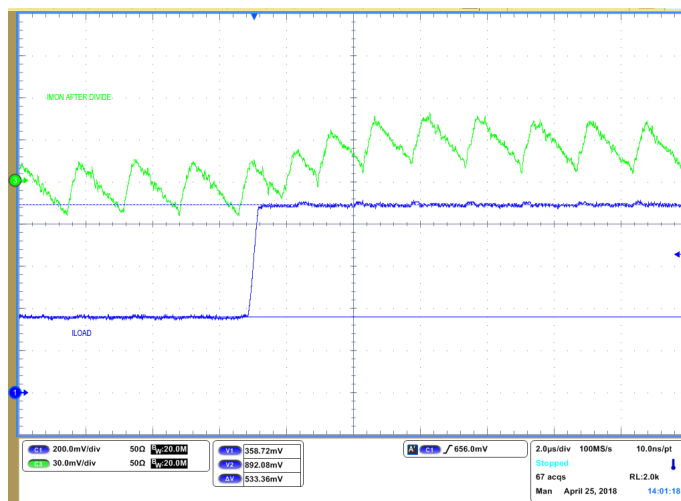


Figure 8: CS Input Signal vs IOUT (2.5V output, 1A - 8A load, L = 470nH, using TI TPS53658 controller on HPE G10 DL380 board)

Functional Block Diagram

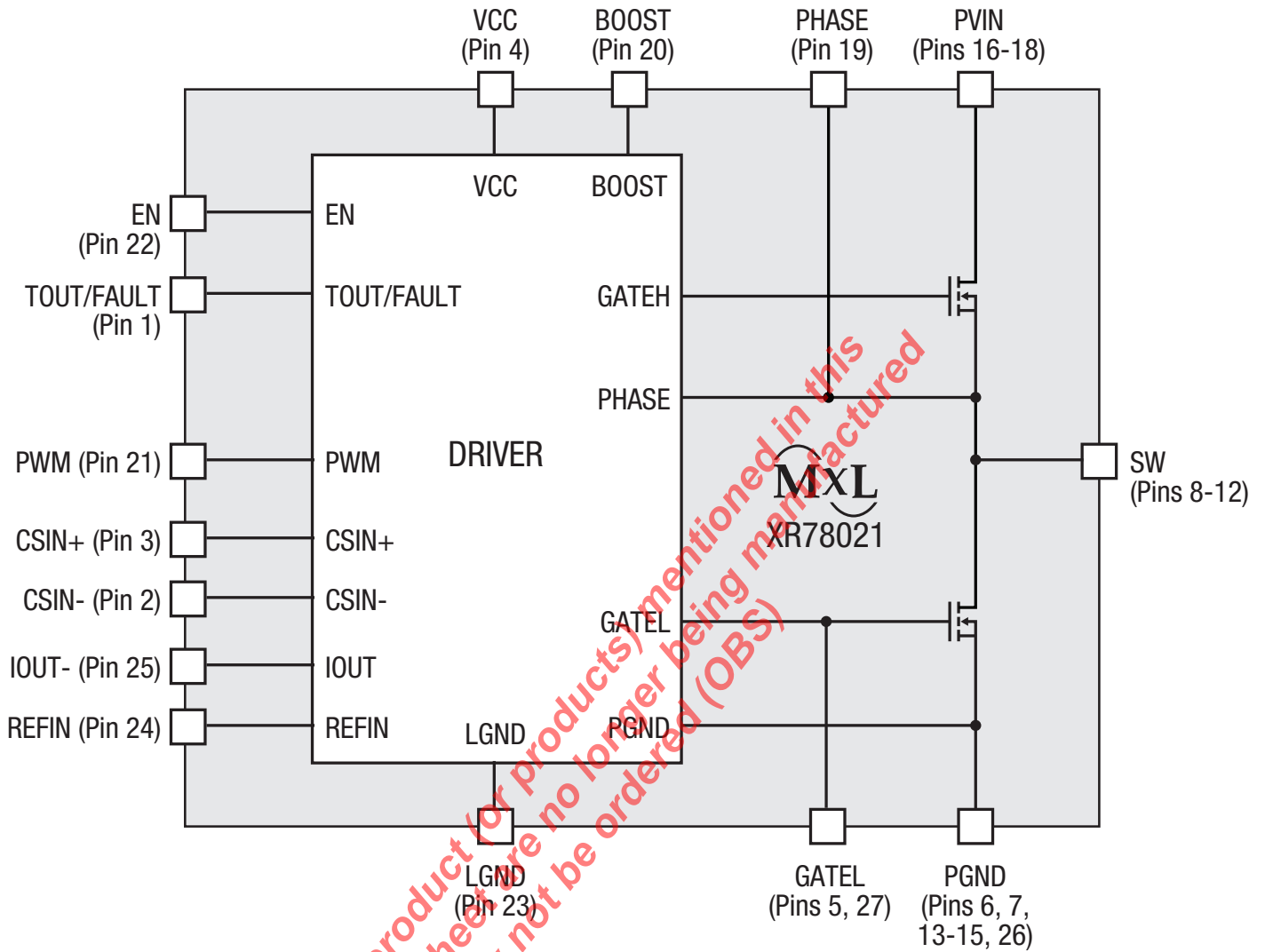


Figure 9: High Level Block Diagram



Functional Block Diagram, continued

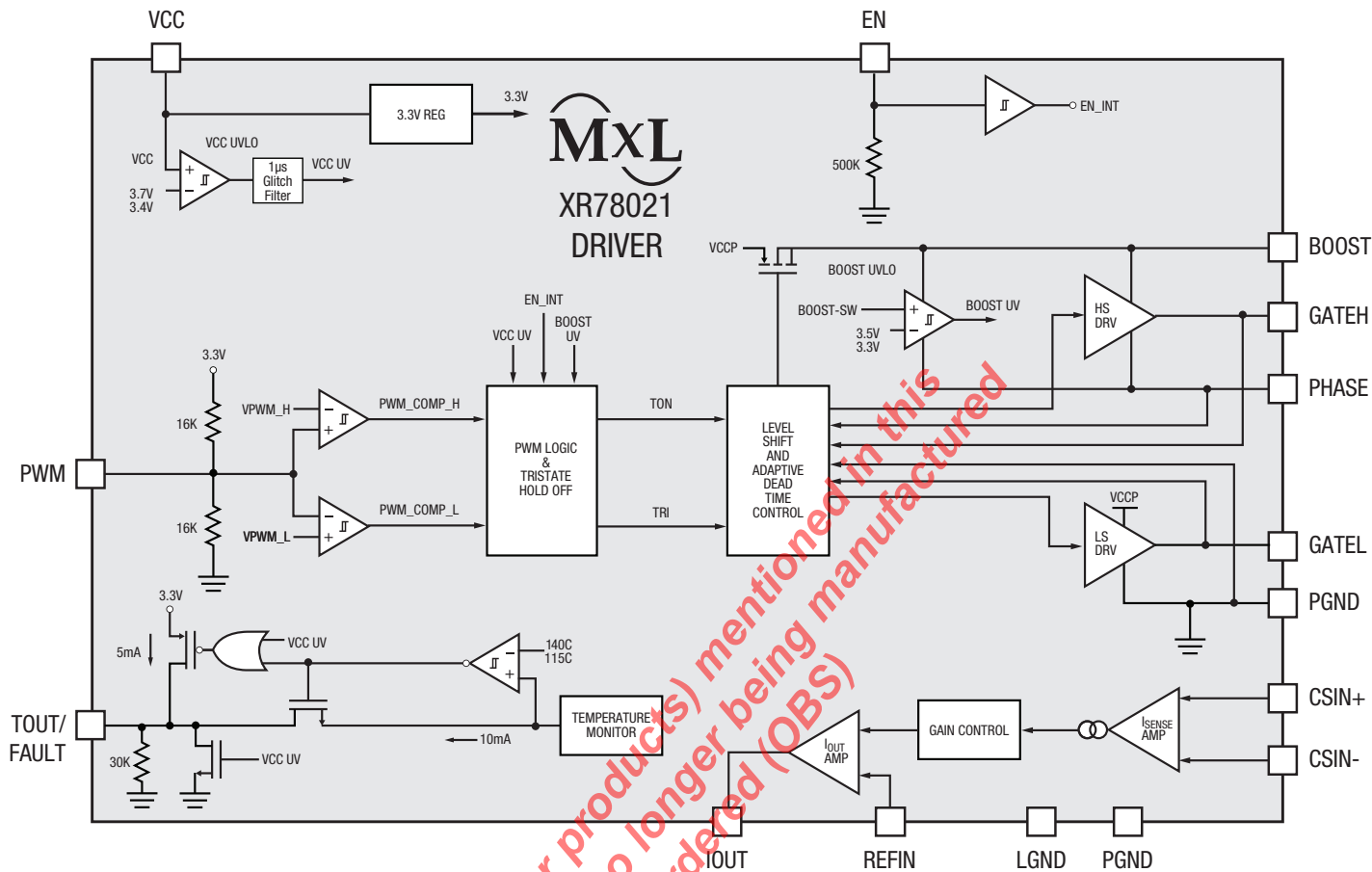


Figure 10: Driver Detailed Block Diagram

The product (or products) mentioned in this data sheet are no longer being manufactured and may not be ordered (OBS)

## Applications Information

### Functional Description

The XR78021 is a 20A “DrMOS” (Driver plus MOSFETs) integrating a high speed, MOSFET driver IC and a pair of Power MOSFETs in a half bridge configuration which can operate up to 1.5MHz.

The XR78021 incorporates an accurate, high speed Current Sense Amplifier (CSA) optimized for use with inductor DCR sensing and achieves spot on inductor current sensing and reporting for use by the PWM Controller. The CSA provides noise immunity along with temperature compensated signal gain to compensate for DCR change with temperature. The sensed current information is referenced to the REFIN pin and is available at IOUT pin as an equivalent voltage.

The XR78021 provides real-time temperature monitoring and reporting output along with fault reporting of Over-Temperature (OT) and VCC under voltage via the TOUT/FAULT pin. When the temperature exceeds 140°C, temperature reporting ceases and pulls the TOUT/FAULT pin high to flag OT. Once the temperature drops below 115°C, the fault is disabled and temperature reporting continues on the TOUT/FAULT pin. VCC UV pulls the TOUT/FAULT pin low.

The XR78021 monitors the voltage between BOOST and PHASE and automatically refreshes the voltage across the bootstrap capacitor if it is in tristate longer than a preset duration. This feature avoids gradual depletion of the bootstrap capacitor voltage when the power stage stays in tristate for long periods of time.

The EN pin supports deep sleep mode whereby if the EN pin is pulled low, the XR78021 shuts down most of the internal circuits and the driver, thereby drawing less than 300µA of quiescent current.

The PWM input pin is a 3.3V logic input with tristate feature and is VCC tolerant.

### PWM Input and Tri-State

The PWM Input receives the PWM control signal from the controller IC. The PWM input is designed to be compatible with standard controllers using two-state logic (HIGH and LOW) and advanced controllers that incorporate “tristate” logic (HIGH, LOW and TRISTATE). When the PWM input is high, the control MOSFET is turned on and the synchronous MOSFET is turned off. When the PWM input is low, the control MOSFET is turned off and the synchronous MOSFET is turned on. If the PWM input is floated, the XR78021 will force the PWM into tristate with a nominal 1.65V. Both MOSFETs are turned off and the SW node will tristate.

### Current Sensing and Reporting (IMON)

The current sensing/reporting circuit is called IMON in this datasheet. IMON monitors the instantaneous inductor current using DCR sensing across the CSIN+ and CSIN- pins, gains up this signal by 17.25V/V at 27°C, level shifts up by voltage at REFIN and drives the IOUT pin. In other words:

$$[V_{IOUT} - V_{REFIN}](V) = 17.25(V/V) \times I_L(A) \times DCR(\Omega)$$

REFIN is commonly connected to a controller reference voltage.

DCR sensing is implemented by placing an R-C across the inductor and monitoring the voltage across the C (Figure 11). Inductor current  $I_L$  results in a voltage across the DCR which is given by  $V = I_L \times DCR$ . If the inductor time constant is matched (i.e.,  $RC = L/DCR$ ), then voltage across C matches  $I_L \times DCR$  in magnitude and phase.

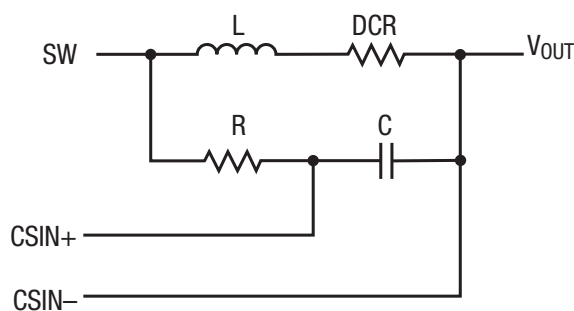


Figure 11: DCR Sensing

As an example consider a 0.33µH-0.29mΩ inductor. The inductor time constant is  $0.33\mu H / 0.29m\Omega = 1138\mu s$ . Let  $C = 0.22\mu F$ , then calculate  $R = 1138\mu s / 0.22\mu F = 5173\Omega$ . Now the voltage across C should match magnitude and phase of  $I_L \times DCR$ . If inductor current  $I_L = 1A$  then  $V_{IOUT} - V_{REFIN} = 1A \times 0.29m\Omega \times 17.25V/V = 5mV$ .

Therefore the IMON amplifier will produce a 5mV/A signal when  $DCR = 0.29m\Omega$ . Gain of the IMON is temperature compensated in order to compensate for DCR increase as a function of temperature (Figure 12). In other words IMON will output 5mV/A regardless of operating temperature, when  $DCR = 0.29m\Omega$ .

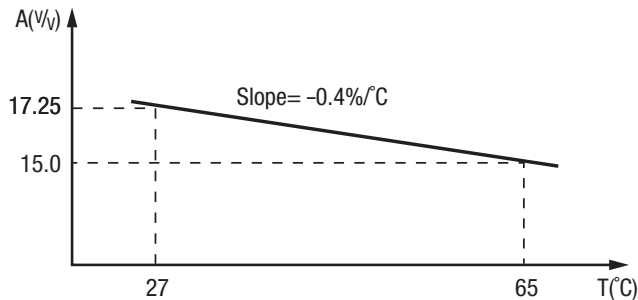


Figure 12: IMON Gain Versus Temperature

If it is required to have IMON output of 5mV/A with a  $DCR > 0.29m\Omega$ , then a voltage divider must be used. This can be implemented by placing a voltage divider across L as shown in Figure 13. Calculate R1 from:

$$R1 = R / ((DCR / 0.29m\Omega) - 1)$$

Where  $R=10k\Omega$  nominal.

To match inductor's time constant, calculate C from:

$$C = (L / DCR) ((R + R1) / (R1 \times R))$$

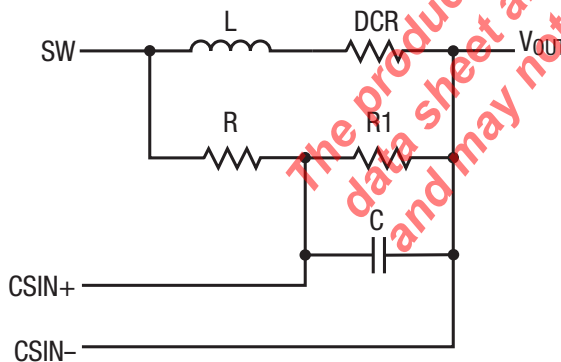


Figure 13: Voltage Divider Across the Inductor

### Temperature Sensing And Reporting (TOUT/FAULT)

XR78021 has an integrated internal temperature sensing circuit that produces a linear voltage slope of 8mV/°C with a 0.6V offset at 0°C. This linearly varying voltage is available at the TOUT/FAULT pin under normal operating conditions.

The voltage at TOUT/FAULT pin during temperature reporting is given as:

$$V_{TOUT/FAULT} (V) = 0.6V + (\text{Temperature in } ^\circ\text{C} \times 0.008V/^\circ\text{C})$$

Therefore at a die temperature of 65°C,

$$V_{TOUT/FAULT} (V) = 0.6V + (65^\circ\text{C} \times 0.008V/^\circ\text{C}) = 1.12V$$

A typical graph of TOUT versus temperature is shown in Figure 3. In a multi-phase system, the TOUT/FAULT pins of several XR78021 can be connected together to create a system in which the highest temperature on the bus will drive the bus.

### Fault Sensing And Reporting (TOUT/FAULT)

VCC under-voltage VCC UVLO and Over-Temperature OT faults are constantly monitored and flagged via the TOUT/FAULT pin.

The VCC UVLO circuit monitors the VCC input. During power up, the MOSFETs are held off until VCC reaches 3.7V nominal. If at any time VCC drops below 3.4V nominal, the MOSFETs are turned off and a VCC UVLO fault is flagged by pulling the TOUT/FAULT low.

The Over-Temperature circuit monitors the driver temperature and if it exceeds 140°C, the TOUT/FAULT pin is pulled high. The TOUT/FAULT pin resumes temperature monitoring once the junction temperature falls below 115°C.

### Boost UVLO and Refresh

The Boost UVLO circuit monitors the voltage between BOOST and SW. During power up,  $V_{BOOST} - V_{SW}$  must reach 3.5V before the control FET is allowed to switch. If at any time  $V_{BOOST} - V_{SW}$  drops below 3.3V, the control FET is turned off.

The BOOST refresh circuit is activated if PWM stays in tristate  $> 5\mu\text{s}$  and  $V_{BOOST} - V_{SW}$  drops below 3.3V. The refresh circuit will then apply short GL pulses to the synchronous FET until  $V_{BOOST} - V_{SW}$  reaches 3.5V.

### Bootstrap Capacitor ( $C_{BST}$ )

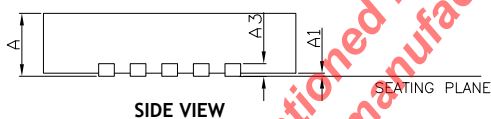
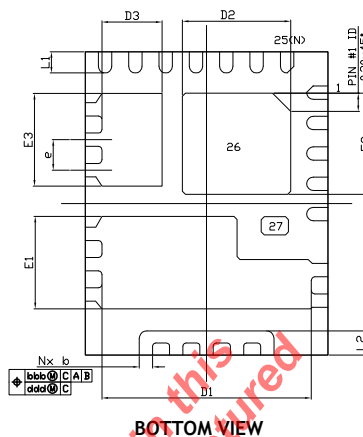
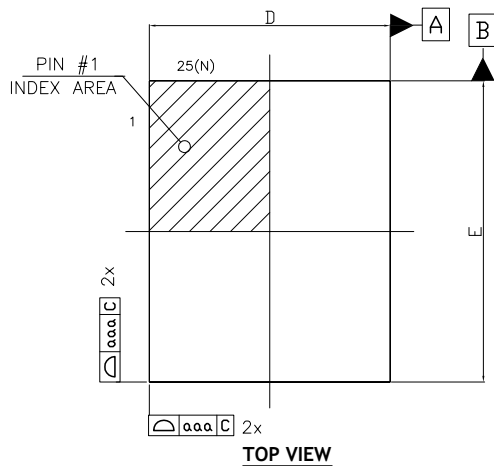
Use a high quality 0.22 $\mu\text{F}$  capacitor as close to PHASE and BOOST pins as possible.

### VCC Decoupling Capacitor (CVCC)

Use a minimum of 2.2 $\mu\text{F}$  high quality ceramic capacitor. Place as close as possible to VCC and LGND, and route with low impedance traces.

Mechanical Dimensions

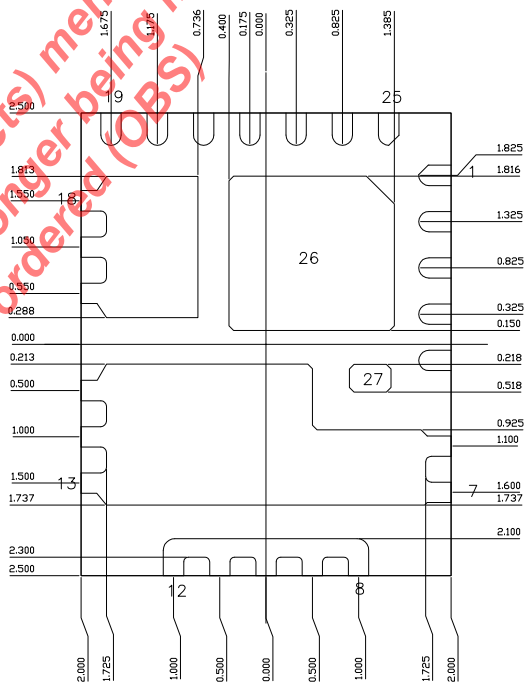
4mm x 5mm x 0.9mm QFN



Dimension Table				
Thickness Symbol	MIN	NOM	MAX	NOTE
A	0.80	0.90	1.00	
A1	0.00	0.02	0.05	
A3	---	0.20Ref	---	
b	0.20	0.25	0.30	
D	4.00 BSC			
E	5.00 BSC			
e	0.50 BSC			
D1	3.350	3.450	3.550	
E1	1.424	1.524	1.624	
D2	1.685	1.785	1.885	
E2	1.566	1.666	1.766	
D3	0.889	0.989	1.089	
E3	1.425	1.525	1.625	
L1	0.25	0.35	0.45	
L2	0.30	0.40	0.50	
aaa	0.15			
bbb	0.10			
ccc	0.10			
ddd	0.05			
eee	0.08			
N	25			

**TERMINAL DETAILS**

The product (or products) mentioned in this data sheet are no longer being manufactured and may not be ordered (OBS)



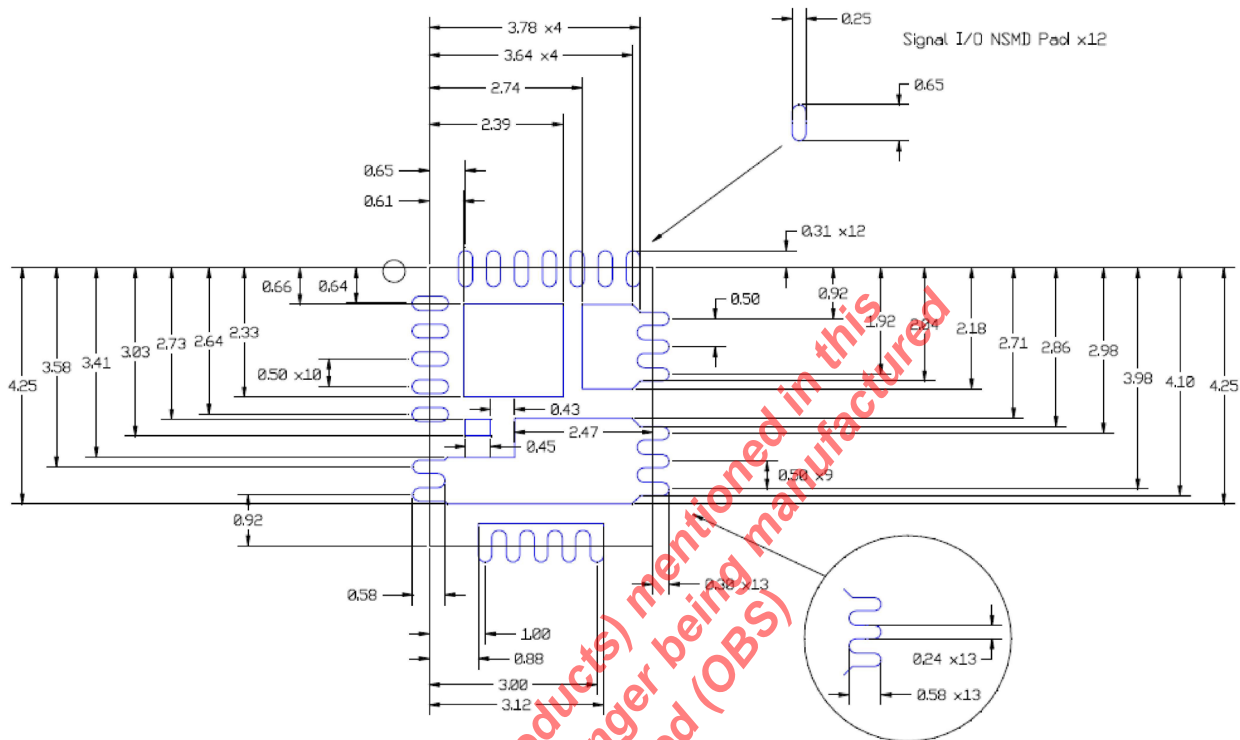
- ALL DIMENSIONS ARE IN MILLIMETERS, ANGLES ARE IN DEGREES.

Drawing No.: POD-00000085

Revision: B.1

## Recommended Land Pattern and Stencil

4mm x 5mm x 0.9mm QFN



### Metal and component placement

#### PCB COPPER

NOTE 1 : LEAD LAND WIDTH SHOULD BE EQUAL TO NOMINAL PART LEAD WIDTH.

NOTE 2 : MINIMUM LEAD SPACE TO SPACE SHOULD BE  $\geq 0.2\text{mm}$  TO PREVENT SHORTING.

NOTE 3 : LEAD LAND LENGTH SHOULD BE EQUAL TO MAXIMUM PART LEAD LENGTH  $+0.15 -0.3\text{mm}$

OUTBOARD EXTENSION AND 0 TO  $+0.05\text{mm}$  INBOARD EXTENSION.

THE OUTBOARD EXTENSION ENSURES A LARGE AND VISIBLE TOE FILLET AND THE

INBOARD EXTENSION WILL ACCOMODATE ANY PART MISALIGNMENT AND ENSURE A FILLET.

NOTE 4 : CENTER PAD LAND LENGTH AND WIDTH SHOULD BE EQUAL TO MAXIMUM PART PAD LENGTH

AND WIDTH. BUT, MIN  $0.2\text{mm}$  SPACE AMONG PADS SHOULD BE KEPT TO PREVENT SHORTING.

NOTE 5 : ONLY  $0.15\sim 0.3\text{mm}$  DIAMETER VIA SHALL BE PLACED IN THE AREA OF THE POWER PAD LANDS

AND CONNECTED TO POWER PLANES TO MINIMIZE THE NOISE EFFECT ON THE IC AND

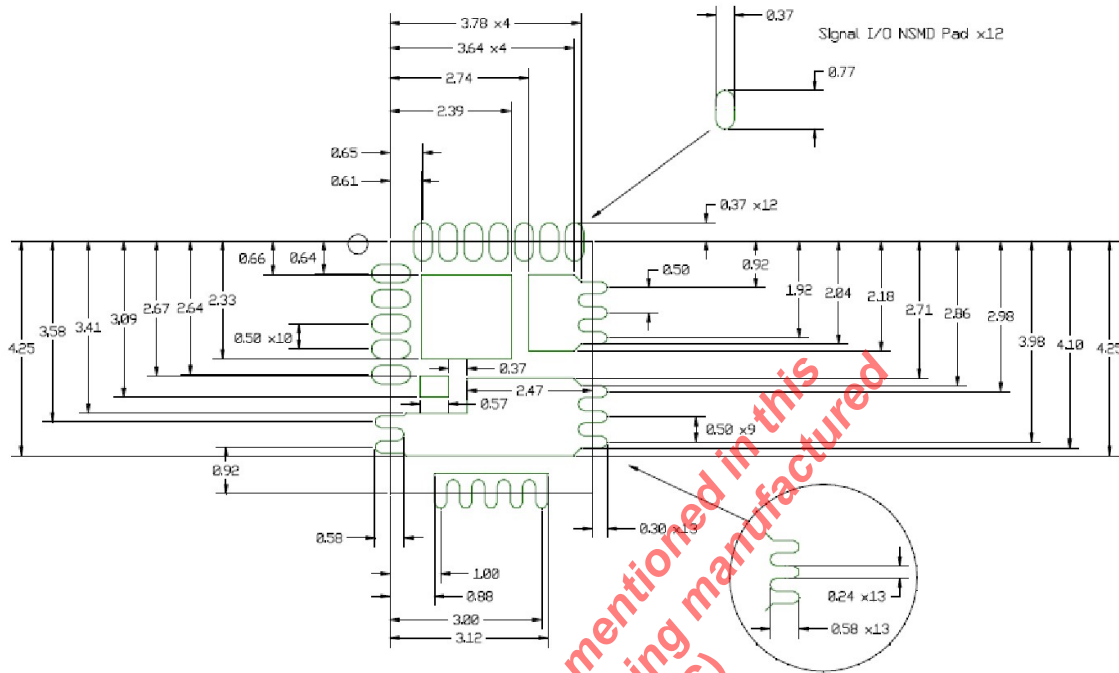
TO IMPROVE THERMAL PERFORMANCE.

Drawing No.: POD-0000085

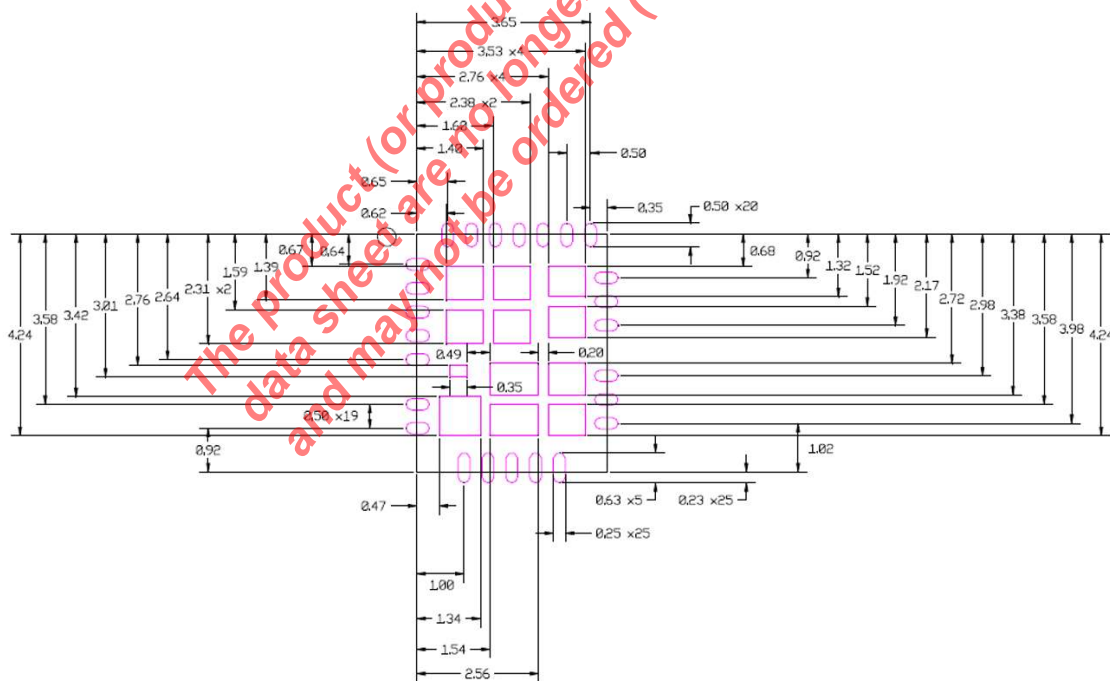
Revision: B.1

Recommended Land Pattern and Stencil, Continued

4mm x 5mm x 0.9mm QFN



PCB SOLDER MASK



TYPICAL RECOMMENDED STENCIL DESIGN

Drawing No.: POD-0000085

Revision: B.1

Ordering Information<sup>(1)</sup>

Part Number	Operating Temperature Range	Lead-free	Package	Packaging Method
XR78021ELTR-F	-40°C ≤ T <sub>J</sub> ≤ 125°C	No <sup>(2)</sup>	4mm x 5mm x 0.9mm QFN	Reel

## NOTE:

1. Refer to [www.maxlinear.com/XR78021](http://www.maxlinear.com/XR78021) for most up-to-date Ordering Information.
2. RoHS Compliant with 7(a) Exemption taken. Lead based die adhesive is used between the die and lead frame.

## Revision History

Revision	Date	Description
1A	July 2017	Initial Release
1B	September 2017	Minor graphical corrections to Figure 10: Driver Detailed Block Diagram. Clarified lead-free status in ordering information.
2A	July 2019	Electrical Table updated based upon corner lot simulation. No change to final test limits.

The product (or products) mentioned in this data sheet are no longer being manufactured and may not be ordered (OBS)



MaxLinear, Inc.  
5966 La Place Court  
Suite 100  
Carlsbad, CA 92008  
Tel.: +1 (760) 692-0711  
Fax: +1 (760) 444-8598  
[www.maxlinear.com](http://www.maxlinear.com)

The content of this document is furnished for informational use only, is subject to change without notice, and should not be construed as a commitment by MaxLinear, Inc. MaxLinear, Inc. assumes no responsibility or liability for any errors or inaccuracies that may appear in the informational content contained in this guide. Complying with all applicable copyright laws is the responsibility of the user. Without limiting the rights under copyright, no part of this document may be reproduced into, stored in, or introduced into a retrieval system, or transmitted in any form or by any means (electronic, mechanical, photocopying, recording, or otherwise), or for any purpose, without the express written permission of MaxLinear, Inc.

MaxLinear, Inc. does not recommend the use of any of its products in life support applications where the failure or malfunction of the product can reasonably be expected to cause failure of the life support system or to significantly affect its safety or effectiveness. Products are not authorized for use in such applications unless MaxLinear, Inc. receives, in writing, assurances to its satisfaction that: (a) the risk of injury or damage has been minimized; (b) the user assumes all such risks; (c) potential liability of MaxLinear, Inc. is adequately protected under the circumstances.

MaxLinear, Inc. may have patents, patent applications, trademarks, copyrights, or other intellectual property rights covering subject matter in this document. Except as expressly provided in any written license agreement from MaxLinear, Inc., the furnishing of this document does not give you any license to these patents, trademarks, copyrights, or other intellectual property.

MaxLinear, the MaxLinear logo, and any MaxLinear trademarks, MxL, Full-Spectrum Capture, FSC, G.now, AirPHY and the MaxLinear logo are all on the products sold, are all trademarks of MaxLinear, Inc. or one of MaxLinear's subsidiaries in the U.S.A. and other countries. All rights reserved. Other company trademarks and product names appearing herein are the property of their respective owners.