

GENERAL DESCRIPTION

The XRT7300 DS3/E3/STS-1 Line Interface Unit is designed to be used in DS3, E3 or SONET STS-1 applications and consists of a line transmitter and receiver integrated on a single chip.

XRT7300 can be configured to support the E3 (34.368 Mbps), DS3 (44.736 Mbps) or the SONET STS-1 (51.84 Mbps) rates.

In the transmit direction, the XRT7300 encodes input data to either B3ZS (for DS3/STS-1 applications) or HDB3 (for E3 applications) format and converts the data into the appropriate pulse shapes for transmission over coaxial cable via a 1:1 transformer.

In the receive direction the XRT7300 performs equalization on incoming signals, performs Clock Recovery, decodes data from either B3ZS or HDB3 format, converts the receive data into TTL/CMOS format, checks for LOS or LOL conditions and detects and declares the occurrence of line code violations.

The XRT7300 also contains a 4-Wire Microprocessor Serial Interface for accessing the on-chip Command registers.

FEATURES

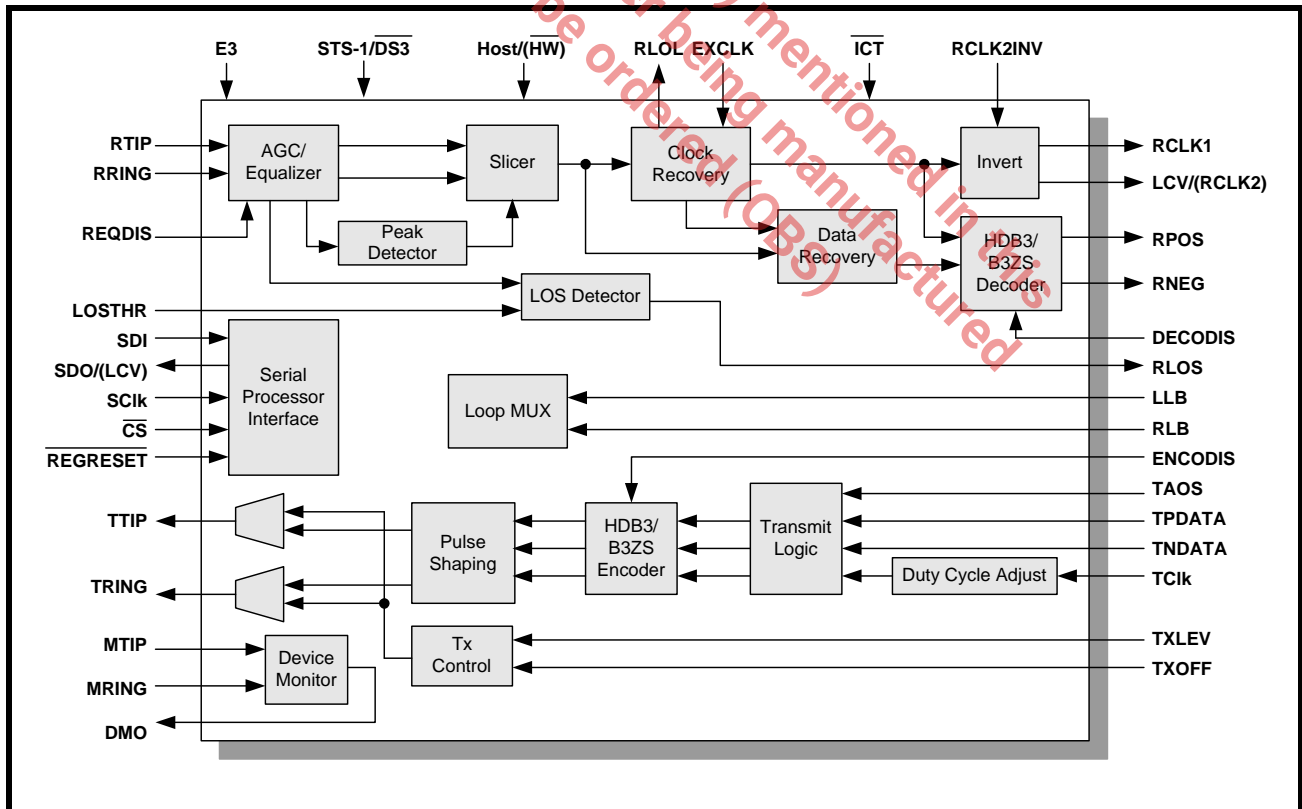
- Meets E3/DS3/STS-1 Jitter Tolerance Requirements
- Full Loop-Back Capability
- Transmit and Receive Power Down Modes
- Full Redundancy Support
- Contains a 4-Wire Microprocessor Serial Interface
- Uses Minimum External components
- Requires Single +5V Power Supply
- -40°C to +85°C Operating Temperature Range
- Available in a 44 pin TQFP package

APPLICATIONS

- Interfaces to E3, DS3 or SONET STS-1 Networks
- CSU/DSU Equipment
- PCM Test Equipment
- Fiber Optic Terminals
- Multiplexers

NOTE: This Device is Protected by US Patent # 6,157,270

FIGURE 1. BLOCK DIAGRAM OF THE XRT7300



ORDERING INFORMATION

PART NUMBER	PACKAGE TYPE	OPERATING TEMPERATURE RANGE
XRT7300IV	44 Pin TQFP (10mm x 10mm)	-40°C to +85°C

FIGURE 2. PIN OUT OF THE XRT7300 IN THE 44 PIN TQFP

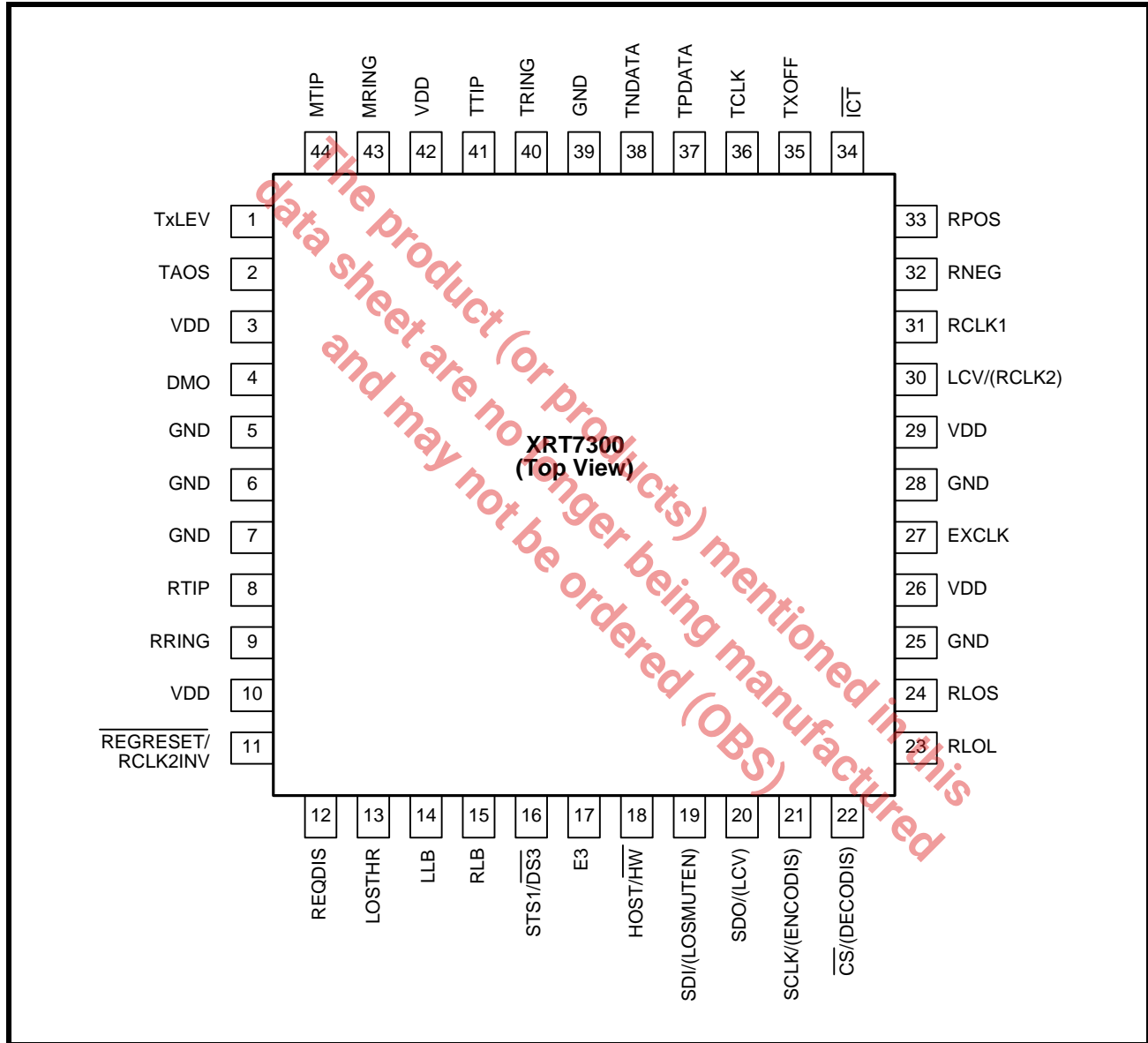




TABLE OF CONTENTS

General description	1
FEATURES	1
APPLICATIONS	1
<i>Figure 1. Block Diagram of the XRT7300</i>	1
Ordering Information	2
<i>Figure 2. Pin Out of the XRT7300 in the 44 Pin TQFP</i>	2
TABLE OF CONTENTS	1
Pin Description	3
Electrical Characteristics	10
DC ELECTRICAL CHARACTERISTICS (TA = 25°C, VDD = 5.0V + 5%, UNLESS OTHERWISE SPECIFIED)	10
AC ELECTRICAL CHARACTERISTICS (TA = 25°C, VDD = 5.0V + 5%, UNLESS OTHERWISE SPECIFIED)	10
<i>Figure 3. Timing Diagram of the Transmit Terminal Input Interface</i>	11
<i>Figure 4. Timing Diagram of the Receive Terminal Output Interface</i>	11
AC ELECTRICAL CHARACTERISTICS (CONTINUED) (TA = 25°C, VDD = 5.0V + 5%, UNLESS OTHERWISE SPECIFIED)	12
AC ELECTRICAL CHARACTERISTICS (CONTINUED) (TA = 25°C, VDD = 5.0V + 5%, UNLESS OTHERWISE SPECIFIED)	13
ABSOLUTE MAXIMUM RATINGS	14
<i>Figure 5. Transmit Pulse Amplitude Test Circuit for DS3, E3 and STS-1 Rates</i>	15
<i>Figure 6. ITU-T G.703 Transmit Output Pulse Template for E3 Applications</i>	15
<i>Figure 7. Bellcore GR-499-CORE Transmit Output Pulse Template for DS3 Applications</i>	16
<i>Figure 8. Bellcore GR-253-CORE Transmit Output Pulse Template for SONET STS-1 Applications</i>	16
MICROPROCESSOR SERIAL INTERFACE TIMING (SEE FIGURE 9)	17
<i>Figure 9. Timing Diagram for the Microprocessor Serial Interface</i>	17
System Description	18
THE TRANSMIT SECTION	18
THE RECEIVE SECTION	18
THE MICROPROCESSOR SERIAL INTERFACE	18
<i>Table 1: Role of Microprocessor Serial Interface pins when the XRT7300 is operating in the Hardware Mode</i>	18
1.0 SELECTING THE DATA RATE	19
<i>Table 2: Selecting the Data Rate for the XRT7300 via the E3 and STS-1/DS3 input pins (Hardware Mode)</i>	19
COMMAND REGISTER CR4 (ADDRESS = 0X04)	19
<i>Table 3: Selecting the Data Rate for the XRT7300 Via the STS-1/DS3 and the E3 Bit-fields Within Command Register CR4 (HOST Mode)</i>	19
2.0 THE TRANSMIT SECTION	20
2.1 THE TRANSMIT LOGIC BLOCK	20
<i>Figure 10. The Typical Interface for the Transmission of Data in a Dual-Rail Format From the Transmitting Terminal Equipment to the Transmit Section of the XRT7300</i>	20
<i>Figure 11. How the XRT7300 Samples the Data on the TPDATA and TNDATA Input Pins</i>	20
Accepting Single-Rail Data from the Terminal Equipment	21
COMMAND REGISTER CR1 (ADDRESS = 0X01)	21
<i>Figure 12. The Behavior of the TPDATA and TCLK Input Signals While the Transmit Logic Block is Accepting Single-Rail Data From the Terminal Equipment</i>	21

XRT7300

E3/DS3/STS-1 LINE INTERFACE UNIT

REV. 1.1.2



2.2 THE TRANSMIT CLOCK DUTY CYCLE ADJUST CIRCUITRY	21
2.3 THE HDB3/B3ZS ENCODER BLOCK.....	22
B3ZS Encoding	22
<i>Figure 13. An Example of B3ZS Encoding</i>	22
HDB3 Encoding.....	22
<i>Figure 14. An Example of HDB3 Encoding</i>	23
Enabling/Disabling the HDB3/B3ZS Encoder	23
COMMAND REGISTER CR2 (ADDRESS = 0X02)	23
2.4 THE TRANSMIT PULSE SHAPER CIRCUITRY	23
Enabling the Transmit Line Build-Out Circuit	23
COMMAND REGISTER CR1 (ADDRESS = 0X01)	23
Disabling the Transmit Line Build-Out Circuit	23
COMMAND REGISTER CR1 (ADDRESS = 0X01)	24
Design Guideline for Setting the Transmit Line Build-Out Circuit	24
The Transmit Line Build-Out Circuit and E3 Applications	24
2.5 INTERFACING THE TRANSMIT SECTION OF THE XRT7300 TO THE LINE	24
<i>Figure 15. Recommended Schematic for Interfacing the Transmit Section of the XRT7300 to the Line</i>	24
TRANSFORMER RECOMMENDATIONS	25
3.0 THE RECEIVE SECTION	25
3.1 INTERFACING THE RECEIVE SECTION OF THE XRT7300 TO THE LINE	25
<i>Figure 16. Recommended Schematic for Interfacing the Receive Section of the XRT7300 to the Line (Transformer-Coupling)</i>	26
<i>Figure 17. Recommended Schematic for Interfacing the Receive Section of the XRT7300 to the Line (Capacitive-Coupling)</i>	26
3.2 THE RECEIVE EQUALIZER BLOCK	26
<i>Figure 18. The Typical Application for the System Installer</i>	27
COMMAND REGISTER CR2 (ADDRESS = 0X02)	28
3.3 PEAK DETECTOR AND SLICER	28
3.4 CLOCK RECOVERY PLL	28
3.5 THE HDB3/B3ZS DECODER	28
B3ZS Decoding DS3/STS-1 Applications	29
<i>Figure 19. An Example of B3ZS Decoding</i>	29
HDB3 Decoding E3 Applications.....	29
<i>Figure 20. An Example of HDB3 Decoding</i>	29
Enabling/Disabling the HDB3/B3ZS Decoder	30
COMMAND REGISTER CR2 (ADDRESS = 0X02)	30
3.6 LOS DECLARATION/CLEARANCE	30
The LOS Declaration/Clearance Criteria for E3 Applications.....	30
<i>Figure 21. The Signal Levels that the XRT7300 Declares and Clears LOS (E3 Mode Only)</i>	31
<i>Figure 22. The Behavior the LOS Output Indicator In Response to the Loss of Signal and the Restoration of Signal</i>	31
The LOS Declaration/Clearance Criteria for DS3 and STS-1 Applications.....	32
<i>Table 4: The ALOS Declaration and Clearance Thresholds for a Given Setting of LOSTHR (DS3 and STS-1 Applications) for Equalizer Enabled or Disabled</i>	32
COMMAND REGISTER CR0 (ADDRESS = 0X00)	32
COMMAND REGISTER CR2 (ADDRESS = 0X02)	33
COMMAND REGISTER CR0 (ADDRESS = 0X00)	33



COMMAND REGISTER CR2 (ADDRESS = 0X02)	33
Muting the Recovered Data while the LOS is being Declared.....	33
COMMAND REGISTER CR3 (ADDRESS = 0X03)	33
3.7 ROUTING THE RECOVERED TIMING AND DATA INFORMATION TO THE RECEIVING TERMINAL EQUIPMENT	33
<i>Figure 23. The Typical Interface for the Transmission of Data in a Dual-Rail Format From the Receive Section of the XRT7300 to the Receiving Terminal Equipment</i>	<i>34</i>
<i>Figure 24. How the XRT7300 Outputs Data on the RPOS and RNEG Output Pins</i>	<i>34</i>
<i>Figure 25. The Behavior of the RPOS, RNEG and RCLK1 Signals When RCLK1 is Inverted</i>	<i>35</i>
COMMAND REGISTER CR3 (ADDRESS = 0X03)	35
Routing Single-Rail Format data (Binary Data Stream) to the Receive Terminal Equipment	35
COMMAND REGISTER CR3 (ADDRESS = 0X03)	35
<i>Figure 26. The Typical Interface for the Transmission of Data in a Single-Rail Format From the Receive Section of the XRT7300 to the Receiving Terminal Equipment</i>	<i>36</i>
<i>Figure 27. The Behavior of the RPOS and RCLK1 Output Signals While the XRT7300 is Transmitting Single-Rail Data to the Receiving Terminal Equipment.....</i>	<i>36</i>
4.0 DIAGNOSTIC FEATURES OF THE XRT7300	36
4.1 THE ANALOG LOCAL LOOP-BACK MODE	36
<i>Figure 28. The Analog Local Loop-Back in the XRT7300</i>	<i>37</i>
COMMAND REGISTER CR4 (ADDRESS = 0X04)	37
4.2 THE DIGITAL LOCAL LOOP-BACK MODE	37
<i>Figure 29. The Digital Local Loop-Back path in the XRT7300</i>	<i>38</i>
COMMAND REGISTER CR4 (ADDRESS = 0X04)	38
4.3 THE REMOTE LOOP-BACK MODE	38
<i>Figure 30. The Remote Loop-Back Path in the XRT7300</i>	<i>39</i>
COMMAND REGISTER CR4 (ADDRESS = 0X04)	39
4.4 TXOFF FEATURES.....	40
COMMAND REGISTER CR1 (ADDRESS = 0X01)	40
4.5 THE TRANSMIT DRIVE MONITOR FEATURES	40
<i>Figure 31. The XRT7300 Employing the Transmit Drive Monitor Features.....</i>	<i>40</i>
<i>Figure 32. Two LIU's, Each Monitoring the Transmit Output Signal of the Other LIU IC</i>	<i>41</i>
4.6 THE TAOS (TRANSMIT ALL ONES) FEATURE	41
COMMAND REGISTER CR1 (ADDRESS = 0X01)	41
5.0 THE MICROPROCESSOR SERIAL INTERFACE	42
5.1 DESCRIPTION OF THE COMMAND REGISTERS	42
<i>Table 5: Addresses and Bit Formats of XRT7300 Command Registers</i>	<i>42</i>
DESCRIPTION OF BIT-FIELDS FOR EACH COMMAND REGISTER	42
Command Register - CR0	42
Command Register - CR1	43
Command Register - CR2	44
Command Register - CR3	44
Command Register - CR4	45
<i>Table 6: Loop-Back Modes.....</i>	<i>45</i>
5.2 OPERATING THE MICROPROCESSOR SERIAL INTERFACE	45
<i>Figure 33. Microprocessor Serial Interface Data Structure</i>	<i>46</i>
<i>Figure 34. How to Interface the XRT7300 IC to the XRT7234/45 E3/DS3 ATM UNI IC</i>	<i>47</i>
<i>Figure 35. How to Interface the XRT7300 IC to the XRT7250 DS3/E3 Framer IC.....</i>	<i>48</i>
ORDERING INFORMATION	49
Package Dimensions	49



REVISION HISTORY50

The product (or products) mentioned in this data sheet are no longer being manufactured and may not be ordered (OBS)



PIN DESCRIPTION

PIN DESCRIPTION

PIN #	SYMBOL	TYPE	DESCRIPTION
1	TXLEV	I	<p>Transmit Line Build-Out Enable/Disable Select: This input pin is used to enable or disable the Transmit Line Build-Out circuit in the XRT7300. Setting this pin to "High" disables the Line Build-Out circuit. In this mode, the XRT7300 outputs partially shaped pulses onto the line via the TTIP and TRING output pins. Setting this pin to "Low" enables the Line Build-Out circuit. In this mode, the XRT7300 outputs partially-shaped pulses onto the line via the TTIP and TRING output pins. To comply with the isolated DSX-3/STSX-1 Pulse Template Requirements per Bellcore GR-499-Core or Bellcore GR-253-Core: 1. Set this input pin to a "1" if the cable length between the Cross-Connect and the transmit output of the XRT7300 is greater than 225 feet. 2. Set this input pin to a "0" if the cable length between the Cross-Connect and the transmit output of the XRT7300 is less than 225 feet. This pin is active only if both of the following are true: (a) The XRT7300 is configured to operate in either the DS3 or SONET STS-1 modes and (b) The XRT7300 is configured to operate in the Hardware Mode. NOTE: This pin should be tied to GND if the XRT7300 is to be operated in the HOST mode.</p>
2	TAOS	I	<p>Transmit All Ones Select: A "High" on this pin causes a continuous AMI all "1's" pattern to be transmitted onto the line. The frequency of this "1's" pattern is determined by TCLK. NOTES: 1. This input pin is ignored if the XRT7300 is operating in the HOST Mode. 2. Tie this pin to GND if the XRT7300 is going to be operating in the HOST Mode.</p>
3	VDD	****	Transmit Digital Power Supply
4	DMO	O	<p>Drive Monitor Output: If no transmitted AMI signal is present on MTIP and MRING input pins for 128±32 TCLK periods, then the DMO pin toggles and remains "High" until the next AMI signal is detected.</p>
5	GND	****	Transmit Digital GND
6	GND	****	Analog GND (Substrate)
7	GND	****	Receive Analog GND
8	RTIP	I	<p>Receive TIP Input: This input pin along with RRING is used to receive the line signal from the Remote DS3/E3/STS-1 Terminal.</p>
9	RRING	I	<p>Receive RING Input: This input pin along with RTIP is used to receive the line signal from the Remote DS3/E3/STS-1 Terminal.</p>
10	VDD	****	Receive Analog VDD

XRT7300

E3/DS3/STS-1 LINE INTERFACE UNIT

REV. 1.1.2



PIN DESCRIPTION

PIN #	SYMBOL	TYPE	DESCRIPTION
11	REGRESET/ (RCLK2INV)	I	<p>Register Reset Input pin (Invert RCLK2 Output - Select): The function of this pin depends upon whether the XRT7300 is operating in the HOST Mode or in the Hardware Mode.</p> <p>HOST Mode - Register Reset Input pin: Setting this input pin “Low” causes the XRT7300 to reset the contents of the Command Registers to their default settings and operating configuration. This pin is internally pulled “High”.</p> <p>Hardware Mode - Invert RCLK2 Output Select: Setting this input pin “Low” configures the Receive Section of the XRT7300 to output the recovered data via the RPOS and RNEG output pins on the rising edge of the RCLK2 output signal. Setting this input pin “High” configures the Receive Section to output the recovered data on the falling edge of the RCLK2 output signal.</p>
12	REQDIS	I	<p>Receive Equalization Disable Input: Setting this input pin “High” disables the Internal Receive Equalizer in the XRT7300. Setting this pin “Low” enables the Internal Receive Equalizer. The guidelines for enabling and disabling the Receive Equalizer are described in Section 3.2.</p> <p>NOTES:</p> <ol style="list-style-type: none"> 1. This input pin is ignored if the XRT7300 is operating in the HOST Mode. 2. Tie this pin to GND if the XRT7300 is going to be operating in the HOST Mode.
13	LOSTHR	I	<p>Loss of Signal Threshold Control: The voltage forced on this pin controls the input loss of signal (LOS) threshold. Two settings are provided by forcing this signal to either GND or VDD.</p> <p>NOTE: This pin is only applicable during DS3 or STS-1 operations.</p>
14	LLB	I	<p>Local Loop-Back Select: This input pin along with RLB dictates which Loop-Back mode the XRT7300 is operating in. A “High” on this pin with RLB being set to “Low” configures the XRT7300 to operate in the Analog Local Loop-Back Mode. A “High” on this pin with RLB also being set to “High” configures the XRT7300 to operate in the Digital Local Loop-Back Mode.</p> <p>NOTES:</p> <ol style="list-style-type: none"> 1. This input pin is ignored if the XRT7300 is operating in the HOST Mode. 2. Tie this pin to GND if the XRT7300 is going to be operating in the HOST Mode.
15	RLB	I	<p>Remote Loop-Back Select: This input pin along with LLB dictates which Loop-Back mode the XRT7300 is be operating in. A “High” on this pin with LLB being set to “Low” configures the XRT7300 to operate in the Remote Loop-Back Mode. A “High” on this pin with LLB also being set to “High” configures the XRT7300 to operate in the Digital Local Loop-Back Mode.</p> <p>NOTES:</p> <ol style="list-style-type: none"> 1. This input pin is ignored if the XRT7300 is operating in the HOST Mode. 2. Tie this pin to GND if the XRT7300 is going to be operating in the HOST Mode.



PIN DESCRIPTION

PIN #	SYMBOL	TYPE	DESCRIPTION
16	STS-1/DS3	I	<p>STS-1/DS3 Select Input:</p> <p>A “High” on this pin configures the Clock Recovery Phase Locked Loop to set its VCO Center frequency to around 51.84 MHz (optimal for SONET STS-1 operations). A “Low” on this pin configures the Clock Recovery Phase Locked Loop to set its VCO Center frequency to around 44.736 MHz (optimal for DS3 operations).</p> <p>NOTES:</p> <ol style="list-style-type: none"> 1. The XRT7300 ignores this pin if the E3 pin (pin 17) is set to “1”. 2. This input pin is ignored if the XRT7300 is operating in the HOST Mode. 3. Tie this pin to GND if the XRT7300 is going to be operating in the HOST Mode.
17	E3	I	<p>E3 Select Input:</p> <p>A “High” on this pin configures the XRT7300 to operate in the E3 Mode.</p> <p>A “Low” on this pin configures the XRT7300 to check the state of the STS-1/DS3 input pin.</p> <p>NOTES:</p> <ol style="list-style-type: none"> 1. This input pin is ignored if the XRT7300 is operating in the HOST Mode. 2. Tie this pin to GND if the XRT7300 is going to be operating in the HOST Mode.
18	HOST/HW	I	<p>HOST/HW Mode Select:</p> <p>This input pin is used to enable or disable the Microprocessor Serial Interface (e.g., consisting of the SDI, SDO, SCLK, CS and REGRESET pins).</p> <p>Setting this input pin “High” enables the Microprocessor Serial Interface (e.g. configures the XRT7300 to operate in the HOST Mode). In this mode, the XRT7300 is configured by writing data into the on-chip Command Registers via the Microprocessor Serial Interface. When the XRT7300 is operating in the HOST Mode, it ignores the states of many of the discrete input pins.</p> <p>Setting this input pin “Low” disables the Microprocessor Serial Interface (e.g., configures the XRT7300 to operate in the Hardware Mode). In this mode, many of the external input control pins are functional.</p>
19	SDI/ (LOSMUTEN)	I	<p>Serial Data Input for the Microprocessor Serial Interface (HOST Mode) or MUTE-upon-LOS Enable Input (Hardware Mode):</p> <p>The function of this input pin depends upon whether the XRT7300 is operating in the HOST or the Hardware Mode.</p> <p>Serial Data Input for the Microprocessor Serial Interface (HOST Mode):</p> <p>This pin is used to read or write data into the Command Registers of the Microprocessor Serial Interface. The Read/Write bit, the Address Values of the Command Registers and Data Value to be written during Write Operations are applied to this pin.</p> <p>This input is sampled on the rising edge of the SCLK pin (pin 21).</p> <p>MUTE-upon-LOS Enable Input (Hardware Mode):</p> <p>When in the Hardware Mode, this input pin is used to configure the XRT7300 to MUTE the recovered data via the RPOS and RNEG output pins whenever it declares an LOS condition.</p> <p>Setting this input pin “High” configures the XRT7300 to automatically pull the RPOS and RNEG output pins to GND whenever it is declaring an LOS condition, thereby MUTing the data being output to the Terminal Equipment.</p> <p>Setting this input pin “Low” configures the XRT7300 to NOT automatically MUTE the recovered data whenever an LOS condition is declared.</p>

XRT7300

E3/DS3/STS-1 LINE INTERFACE UNIT

REV. 1.1.2



PIN DESCRIPTION

PIN #	SYMBOL	TYPE	DESCRIPTION
20	SDO/(LCV)	O	<p>Serial Data Output from the Controller Port/(Line Code Violation Output (LCV) Indicator):</p> <p>The function of this input pin depends upon whether the XRT7300 is operating in the HOST or the Hardware Mode.</p> <p>HOST Mode - Microprocessor Serial Interface - Serial Data Output. This pin serially outputs the contents of the specified Command Register during Read Operations. The data on this pin is updated on the falling edge of the SCLK input signal. This pin is tri-stated upon completion of data transfer.</p> <p>Hardware Mode - Line Code Violation Output Indicator. This pin pulses "High" for one bit period any time the Receive Section of the XRT7300 detects a Line Code Violation in the incoming E3, DS3 or STS-1 Data Stream.</p>
21	SCLK/(ENCODIS)	I	<p>Microprocessor Serial Interface Clock Signal/Encoder Disable:</p> <p>HOST Mode - Microprocessor Serial Interface Clock Signal This signal is used to sample the data on the SDI pin on the rising edge of this signal. Additionally, during Read operations the Microprocessor Serial Interface updates the SDO output on the falling edge of this signal.</p> <p>Hardware Mode - B3ZS/HDB3 Encoder Disable Setting this input pin "High" disables the B3ZS/HDB3 Encoder and configures the XRT7300 to transmit the line signal in an AMI Format. Setting this input pin "Low" enables the B3ZS/HDB3 Encoder and configures the XRT7300 to transmit the line signal in the B3ZS format (for DS3/STS-1 operation) or in the HDB3 format (for E3 operation).</p>
22	\overline{CS} /(DECODIS)	I	<p>Microprocessor Serial Interface - Chip Select/Decoder Disable</p> <p>The function of this input pin depends upon whether the XRT7300 is operating in the HOST or the Hardware Mode.</p> <p>HOST Mode - Chip Select Input: The Local Microprocessor must assert this pin (e.g., set it to "0") in order to enable communication with the XRT7300 via the Microprocessor Serial Interface.</p> <p>Hardware Mode - (B3ZS/HDB3 Decoder Disable) Setting this input pin "High" disables the B3ZS/HDB3 Decoder. Setting this input pin "Low" enables the B3ZS/HDB3 Decoder.</p>
23	RLOL	O	<p>Receive Loss of Lock Output Indicator</p> <p>This output pin toggles "High" if the XRT7300 has detected a Loss of Lock Condition. The XRT7300 declares an LOL (Loss of Lock) Condition if the recovered clock frequency deviates from the Reference Clock frequency (available at the EXCLK input pin) by more than 0.5%.</p>
24	RLOS	O	<p>Receive Loss of Signal Output Indicator</p> <p>This output pin toggles "High" if the XRT7300 has detected a Loss of Signal Condition in the incoming line signal.</p> <p>The criteria the XRT7300 uses to declare an LOS Condition depends upon whether the device is operating in the E3 or DS3/STS-1 Mode.</p>
25	GND	****	Digital GND
26	VDD	****	Digital VDD



PIN DESCRIPTION

PIN #	SYMBOL	TYPE	DESCRIPTION
27	EXCLK	I	External Reference Clock Input: Apply a 34.368MHz clock signal for E3 applications, a 44.736 MHz clock signal for DS3 applications or a 51.84 MHz clock signal for SONET STS-1 applications.
28	GND	****	Receiver Digital Ground
29	VDD	****	Receiver Digital VDD
30	LCV/(RCLK2)	O	Line Code Violation Indicator/Receive Clock Output pin 2: The function of this pin depends upon whether the XRT7300 is operating in the HOST Mode, the Hardware Mode or User selection. HOST Mode - Line Code Violation Indicator Output: If the XRT7300 is configured to operate in the HOST Mode, then this pin functions as the LCV output pin by default. However, by using the on-chip Command Registers, this pin can be configured to function as the second Receive Clock signal output pin (RCLK2). Hardware Mode - Receive Clock Output pin 2: This output pin is the Recovered Clock signal from the incoming line signal. The receive section of the XRT7300 outputs data via the RPOS and RNEG output pins on the rising edge of this clock signal. NOTE: If the XRT7300 is operating in the HOST Mode and this pin is configured to function as the additional Receive Clock signal output pin, then the XRT7300 can be configured to update the data on the RPOS and RNEG output pins on the falling edge of this clock signal.
31	RCLK1	O	Receive Clock Output pin 1: This output pin is the Recovered Clock signal from the incoming line signal. The receive section of the XRT7300 outputs data via the RPOS and RNEG output pins on the rising edge of this clock signal. NOTE: If the XRT7300 device is operating in the "Host" Mode, then the user can configure the device to update the data on the RPOS and RNEG output pins on the falling edge of this clock signal.
32	RNEG	O	Receive Negative Pulse Output: This output pin pulses "High" whenever the XRT7300 has received a Negative Polarity pulse in the incoming line signal at the RTIP/RRING inputs. NOTE: If the B3ZS/HDB3 Decoder is enabled, then the zero suppression patterns in the incoming line signal (such as: "00V", "000V", "B0V", "B00V") is not reflected at this output.
33	RPOS	O	Receive Positive Pulse Output: This output pin pulses "High" whenever the XRT7300 has received a Positive Polarity pulse in the incoming line signal at the RTIP/RRING inputs. NOTE: If the B3ZS/HDB3 Decoder is enabled, then the zero suppression patterns in the incoming line signal (such as: "00V", "000V", "B0V", "B00V") is not reflected at this output.
34	$\overline{\text{ICT}}$	I	In-Circuit Test Input: Setting this pin "Low" causes all digital and analog outputs to go into a high-impedance state to allow for in-circuit testing. This pin is internally pulled "High".

XRT7300

E3/DS3/STS-1 LINE INTERFACE UNIT

REV. 1.1.2



PIN DESCRIPTION

PIN #	SYMBOL	TYPE	DESCRIPTION
35	TXOFF	I	<p>Transmitter OFF Input: Setting this input pin "High" configures the XRT7300 to turn off the Transmitter in the device.</p> <p>NOTES:</p> <ol style="list-style-type: none"> This input pin is ignored if the XRT7300 is operating in the HOST Mode. Tie this pin to GND if the XRT7300 is going to be operating in the HOST Mode.
36	TCLK	I	<p>Transmit Clock Input for TPDATA and TNDATA: This input pin must be driven at 34.368 MHz for E3 applications, 44.736MHz for DS3 applications, or 51.84MHz for SONET STS-1 applications. The XRT7300 uses this signal to sample the TPDATA and TNDATA input pins. By default, the XRT7300 is configured to sample these two pins on the falling edge of this signal.</p> <p>If the XRT7300 is operating in the HOST Mode, then the device can be configured to sample the TPDATA and TNDATA input pins on the rising edge of TCLK.</p>
37	TPDATA	I	<p>Transmit Positive Data Input: The XRT73L00 samples this pin on the falling edge of TCLK. If the device samples a "1" at this input pin, then it generates and transmits a positive polarity pulse to the line.</p> <p>NOTES:</p> <ol style="list-style-type: none"> The data should be applied to this input pin if the Transmit Section is configured to accept Single-Rail data from the Terminal Equipment. If the XRT73L00 is operating in the HOST Mode, then the XRT73L00 can be configured to sample the TPDATA pin on either the rising or falling edge of TCLK.
38	TNDATA	I	<p>Transmit Negative Data Input: The XRT7300 samples this pin on the falling edge of TCLK. If the device samples a "1" at this input pin, then it generates and transmits a negative polarity pulse to the line.</p> <p>NOTES:</p> <ol style="list-style-type: none"> This input pin is ignored and should be tied to GND if the Transmit Section is configured to accept Single-Rail data from the Terminal Equipment. If the XRT7300 is operating in the HOST Mode, then the XRT7300 can be configured to sample the TNDATA pin on either the rising or falling edge of TCLK.
39	GND	-	Transmit Analog Ground
40	TRING	O	<p>Transmit RING Output: The XRT7300 uses this pin, along with TRING, to transmit a bipolar line signal via a 1:1 transformer.</p>
41	TTIP	O	<p>Transmit TIP Output: The XRT7300 uses this pin, along with TTIP, to transmit a bipolar line signal via a 1:1 transformer.</p>
42	VDD	-	Transmit Analog Power Supply



PIN DESCRIPTION

PIN #	SYMBOL	TYPE	DESCRIPTION
43	MRING	I	Monitor Ring Input: The bipolar line output signal from TRING can be connected to this pin via a 270 Ω resistor in order to check for line driver failure. This pin is internally pulled "High".
44	MTIP	I	Monitor Tip Input: The bipolar line output signal from TTIP can be connected to this pin via a 270 Ω resistor in order to check for line driver failure. This pin is internally pulled "High".

The product (or products) mentioned in this data sheet are no longer being manufactured and may not be ordered (OBS)

XRT7300

E3/DS3/STS-1 LINE INTERFACE UNIT

REV. 1.1.2



ELECTRICAL CHARACTERISTICS

DC ELECTRICAL CHARACTERISTICS (TA = 25°C, VDD = 5.0V ± 5%, UNLESS OTHERWISE SPECIFIED)

SYMBOL	PARAMETER	MIN.	TYP.	MAX.	UNITS
V _{DDD}	DC Supply Voltage	4.75	5	5.25	V
V _{DDA}	DC Supply Voltage	4.75	5	5.25	V
I _{CC}	Supply Current (Measured while Transmitting and Receiving all "1's")				
	DS-3 Mode		167	200	mA
	STS-1 Mode		180	220	mA
V _{IL}	Input Low Voltage			0.8	V
V _{IH}	Input High Voltage	2.0		VDD	V
V _{OL}	Output Low Voltage, I _{OUT} = -4.0mA	0		0.4	V
V _{OH}	Output High Voltage, I _{OUT} = 4.0mA	2.8		VDD	V
I _L	Input Leakage Current*			±10	mA

* Not applicable to pins with pull-up/pull-down resistors.

AC ELECTRICAL CHARACTERISTICS (TA = 25°C, VDD = 5.0V ± 5%, UNLESS OTHERWISE SPECIFIED)

SYMBOL	PARAMETER	MIN.	TYP.	MAX.	UNITS
Terminal Side Timing Parameters (See Figure 3 & Figure 4)					
	TCLK Clock Duty Cycle (DS3/STS-1)	30	50	70	%
	TCLK Clock Duty Cycle (E3)	30	50	70	%
	TCLK Frequency (SONET STS-1)		51.84		MHz
	TCLK Frequency (DS3)		44.736		MHz
	TCLK Frequency (E3)		34.368		MHz
t _{RTX}	TCLK Clock Rise Time (10% to 90%)			4	ns
t _{FTX}	TCLK Clock Fall Time (90% to 10%)			4	ns
t _{TSU}	TPDATA/TNDATA to TCLK Falling Set up time	3			ns
t _{THO}	TPDATA/TNDATA to TCLK Falling Hold time	3			ns
t _{LCVO}	RCLK to rising edge of LCV output delay		2.5		ns
t _{TDY}	TTIP/TRING to TCLK Rising Propagation Delay time	0.6		14	ns
	RCLK Clock Duty Cycle	45	50	55	%
	RCLK Frequency (SONET STS-1)		51.84		MHz
	RCLK Frequency (DS3)		44.736		MHz
	RCLK Frequency (E3)		34.368		MHz

AC ELECTRICAL CHARACTERISTICS (TA = 25°C, VDD = 5.0V ± 5%, UNLESS OTHERWISE SPECIFIED)

SYMBOL	PARAMETER	MIN.	TYP.	MAX.	UNITS
t _{CO}	RCLK to RPOS/RNEG Delay Time			4	ns
t _{RRX}	RCLK Clock Rise Time (10% to 90%)		2	4	ns
t _{FRX}	RCLK Clock Fall Time (10% to 90%)		1.5	3	ns
C _i	Input Capacitance			10	pF
C _L	Load Capacitance			10	pF

FIGURE 3. TIMING DIAGRAM OF THE TRANSMIT TERMINAL INPUT INTERFACE

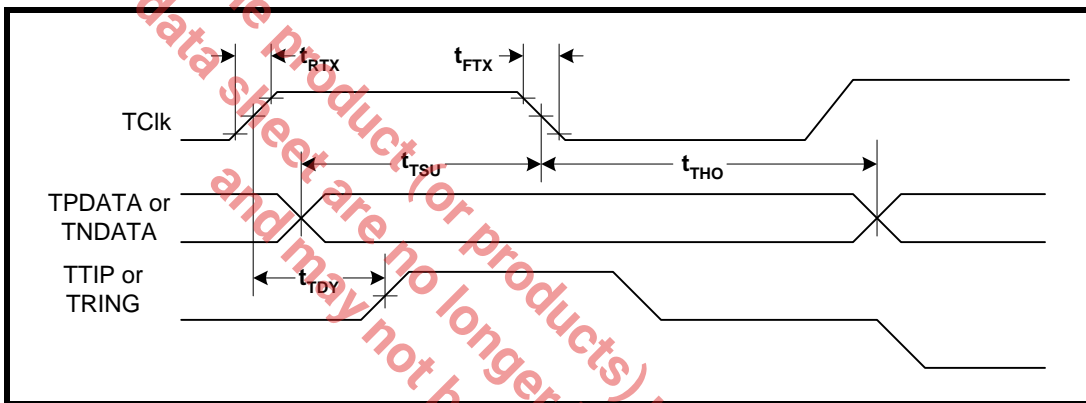
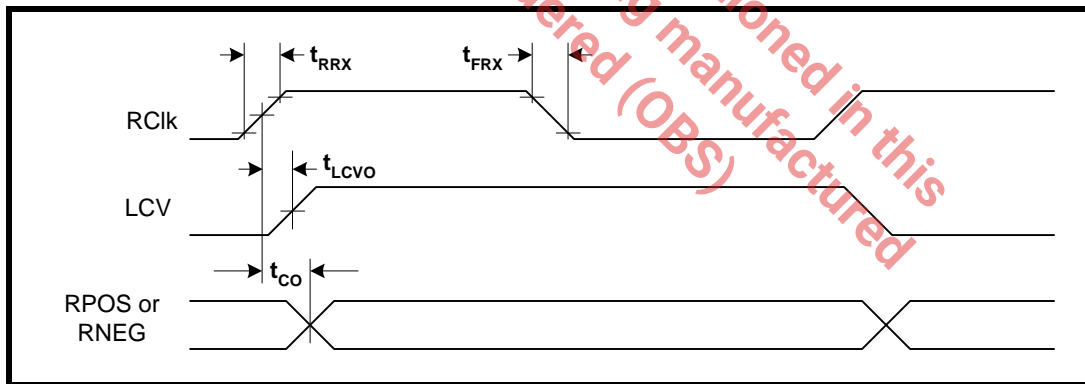


FIGURE 4. TIMING DIAGRAM OF THE RECEIVE TERMINAL OUTPUT INTERFACE



XRT7300

E3/DS3/STS-1 LINE INTERFACE UNIT

REV. 1.1.2



AC ELECTRICAL CHARACTERISTICS (CONTINUED) (TA = 25°C, VDD = 5.0V ± 5%, UNLESS OTHERWISE SPECIFIED)

Line Side Parameters

SYMBOL	PARAMETER	MIN.	TYP.	MAX.	UNITS
DS3 Application Parameters					
Transmit Line Characteristics (See Figure 5)					
	Transmit Output Pulse Amplitude (Measured at 0 feet, TXLEV = 0)	0.68	0.75	0.85	Vpk
	Transmit Output Pulse Amplitude (Measured at 0 feet, TXLEV = 1)	0.90	1.0	1.1	Vpk
	Transmit Output Pulse Width	10.10	11.18	12.28	ns
	Transmit Output Pulse Amplitude Ratio	0.9	1.0	1.1	
	Transmit Output Jitter with jitter-free input clock at TCLK		0.02	0.05	UIpp
Receive Line Characteristics					
	Receive Sensitivity (Length of Cable)	900	1000		feet
	Receive Intrinsic Jitter (All One's Pattern)		0.01		UI
	Receive Intrinsic Jitter (100 Pattern) ⁽¹⁾		0.02		UI
LOS Level With Equalizer Enabled (Table 4)					
	Signal Level to Declare Loss of Signal (LOSTHR = 0)			55	mV
	Signal Level to Clear Loss of Signal (LOSTHR = 0)	220			mV
	Signal Level to Declare Loss of Signal (LOSTHR = 1)			22	mV
	Signal Level to Clear Loss of Signal (LOSTHR = 1)	90			mV
LOS Level With Equalizer Disabled (Table 4)					
	Signal Level to Declare Loss of Signal (LOSTHR = 0)			35	mV
	Signal Level to Clear Loss of Signal (LOSTHR = 0)	155			mV
	Signal Level to Declare Loss of Signal (LOSTHR = 1)			17	mV
	Signal Level to Clear Loss of Signal (LOSTHR = 1)	70			mV
	Max Jitter Tolerance @ Jitter Frequency = 100Hz	64			UI
	Max Jitter Tolerance @ Jitter Frequency = 1KHz	64			UI
	Max Jitter Tolerance @ Jitter Frequency = 10KHz	5			UI
	Max Jitter Tolerance @ Jitter Frequency = 800KHz	0.4			UI

(1) Measured at Nominal DSX3 level, Equalizer enabled, VDD = 5V and TA = 25°C



AC ELECTRICAL CHARACTERISTICS (CONTINUED) (TA = 25°C, VDD = 5.0V ± 5%, UNLESS OTHERWISE SPECIFIED)

Line Side Parameters

SYMBOL	PARAMETER	MIN.	TYP.	MAX.	UNITS
E3 Application Parameters					
Transmit Line Characteristics (See Figure 5)					
	Transmit Output Pulse Amplitude (Measured at Secondary Output of Transformer)	0.9	1.00	1.1	Vpk
	Transmit Output Pulse Amplitude Ratio	0.95	1.00	1.05	
	Transmit Output Pulse Width	12.5	14.55	16.5	ns
	Transmit Output Pulse Width Ratio	0.95	1.00	1.05	
	Transmit Output Jitter with jitter-free input clock at TCLK		0.02	0.05	UIpp
Receive Line Characteristics					
	Receive Sensitivity (Length of cable)	1100			feet
	Interference Margin	-20	-17		dB
	Signal Level to Declare Loss of Signal			-35	dB
	Signal Level to Clear Loss of Signal	-15			dB
	Occurrence of LOS to LOS Declaration Time	10	100	255	UI
	Termination of LOS to LOS Clearance Time	10	100	255	UI
	Intrinsic Jitter (all "1's" Pattern) ⁽¹⁾		0.01		UI
	Intrinsic Jitter (100 Pattern)		0.03		
	Max Jitter Tolerance @ Jitter Frequency = 100Hz	64			UI
	Max Jitter Tolerance @ Jitter Frequency = 1KHz	30			UI
	Max Jitter Tolerance @ Jitter Frequency = 10KHz	4			UI
	Max Jitter Tolerance @ Jitter Frequency = 800KHz	0.15			UI
SONET STS-1 Application Parameters					
Transmit Line Characteristics (See Figure 5)					
	Transmit Output Pulse Amplitude (Measured with TXLEV = 0)	0.68	0.75	0.85	Vpk
	Transmit Output Pulse Amplitude (Measured with TXLEV = 1)	0.93	0.98	1.08	Vpk
	Transmit Output Pulse Width	8.6	9.65	10.6	ns
	Transmit Output Pulse Amplitude Ratio	0.9	1.0	1.1	
	Transmit Output Jitter with jitter-free clock input at TCLK		0.02	0.05	UIpp

XRT7300

E3/DS3/STS-1 LINE INTERFACE UNIT

REV. 1.1.2



AC ELECTRICAL CHARACTERISTICS (CONTINUED) (TA = 25°C, VDD = 5.0V ± 5%, UNLESS OTHERWISE SPECIFIED)

Line Side Parameters

SYMBOL	PARAMETER	MIN.	TYP.	MAX.	UNITS
Receive Line Characteristics					
	Receive Sensitivity (Length of cable)	900			feet
	Signal Level to Declare or Clear Loss of Signal (see Table 4)				mV
	Intrinsic Jitter (all "1's" Pattern) ⁽²⁾		0.03		UI
	Intrinsic Jitter (100 Pattern)		0.03		UI
	Max Jitter Tolerance @ Jitter Frequency = 100Hz	64			UI
	Max Jitter Tolerance @ Jitter Frequency = 1KHz	64			UI
	Max Jitter Tolerance @ Jitter Frequency = 10KHz	5			UI
	Max Jitter Tolerance @ Jitter Frequency = 800KHz	0.4			UI

(1) Measured with Equalizer enabled, 12db cable attenuation, VDD = 5V and TA = 25°C

(2) Measured at nominal STSX-1 level with Equalizer enabled, VDD = 5V and TA = 25°C

ABSOLUTE MAXIMUM RATINGS

POWER SUPPLY	-0.5 TO +6.5V
STORAGE TEMPERATURE	-65°C TO 150°C
INPUT VOLTAGE AT ANY PIN	-0.5V TO VDD +0.5V
POWER DISSIPATION TQFP PACKAGE	1.2W
INPUT CURRENT AT ANY PIN	+100MA
ESD RATING (MIL-STD-883, M-3015)	AT LEAST 1500V

Figure 5 presents the test circuit that was used to test and measure the pulse amplitudes as listed in the ELECTRICAL CHARACTERISTICS tables.

Figure 6, Figure 7 and Figure 8 present the Pulse Template requirements for the E3, DS3 and STS-1 Rates.

FIGURE 5. TRANSMIT PULSE AMPLITUDE TEST CIRCUIT FOR DS3, E3 AND STS-1 RATES

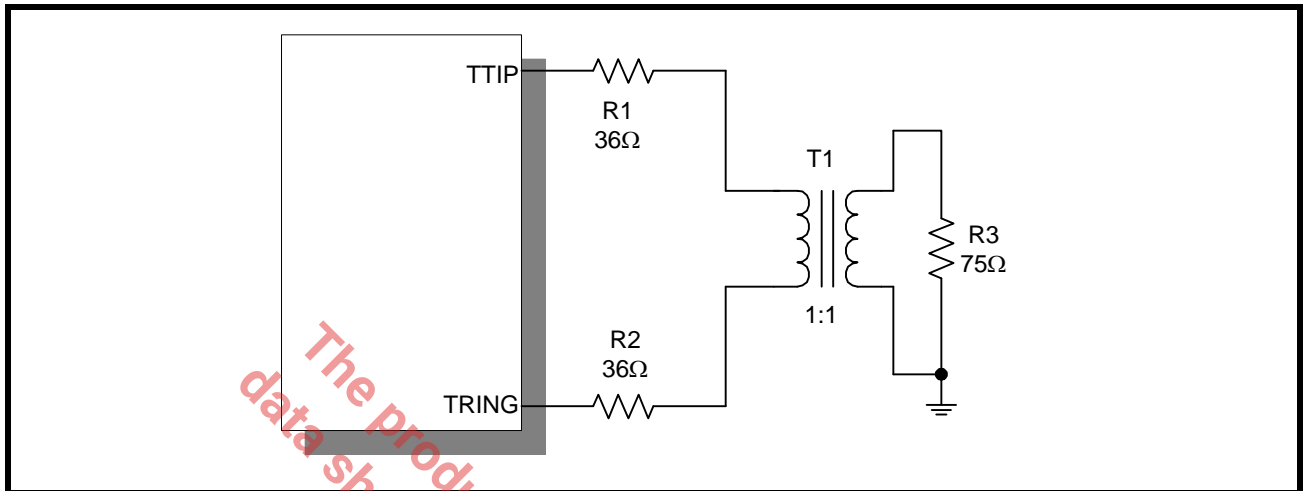


FIGURE 6. ITU-T G.703 TRANSMIT OUTPUT PULSE TEMPLATE FOR E3 APPLICATIONS

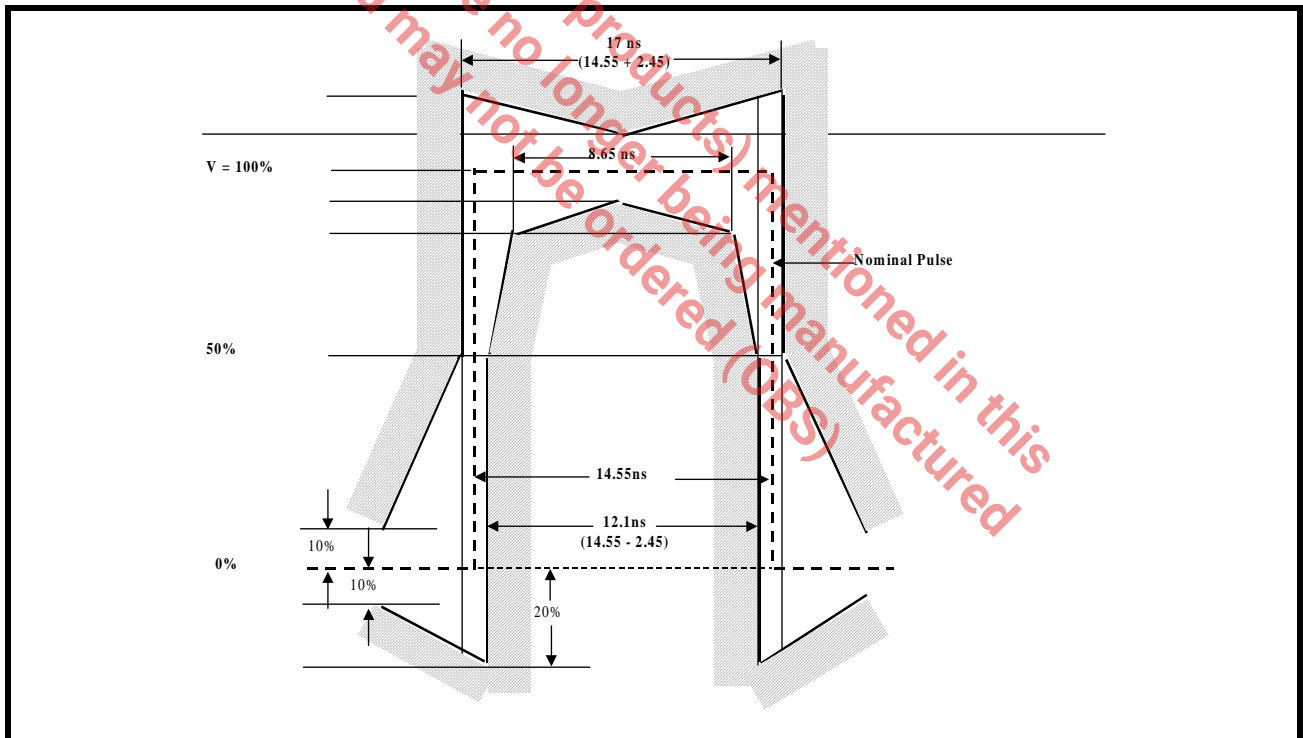


FIGURE 7. BELLCORE GR-499-CORE TRANSMIT OUTPUT PULSE TEMPLATE FOR DS3 APPLICATIONS

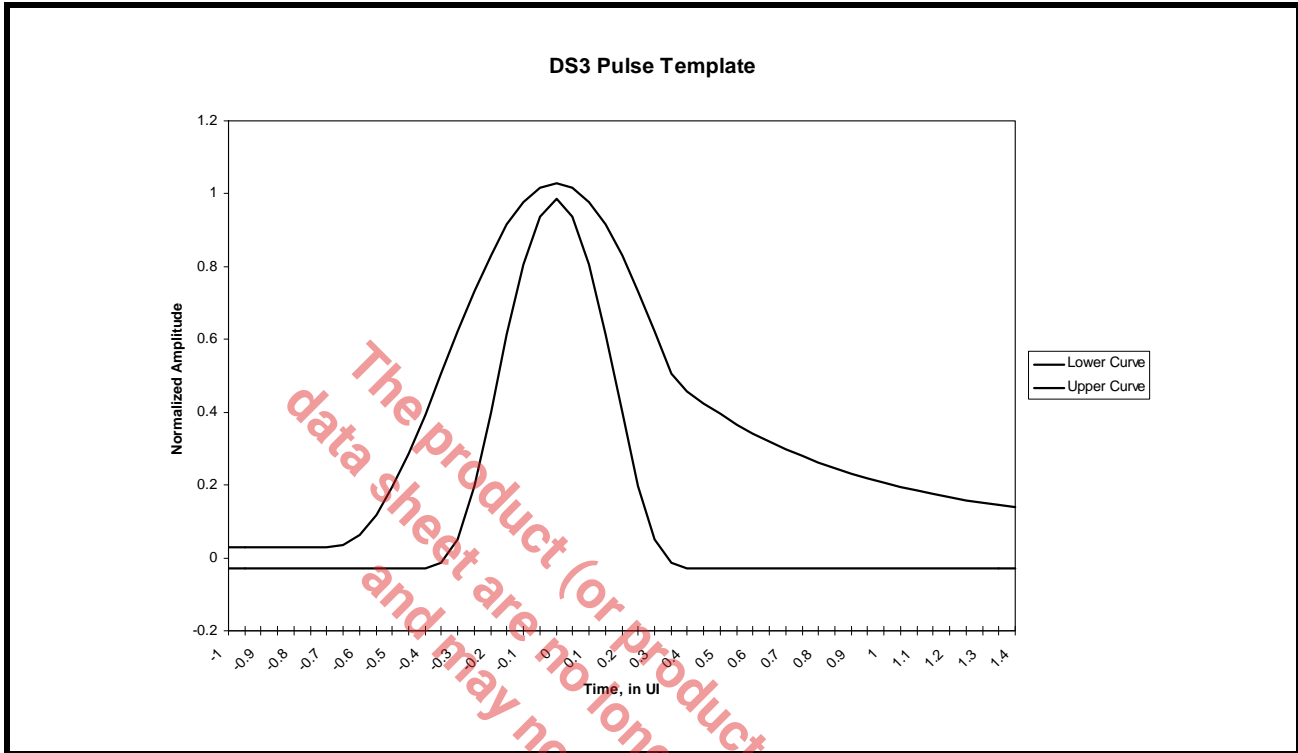
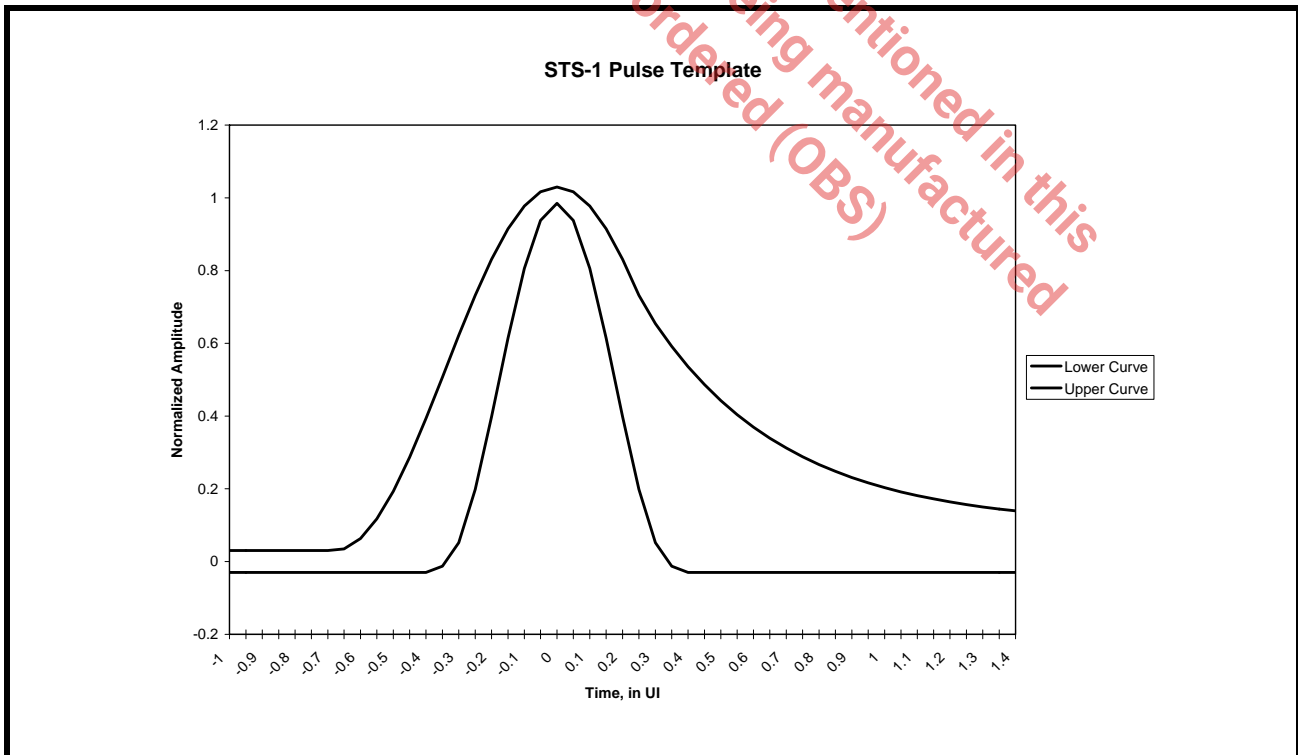


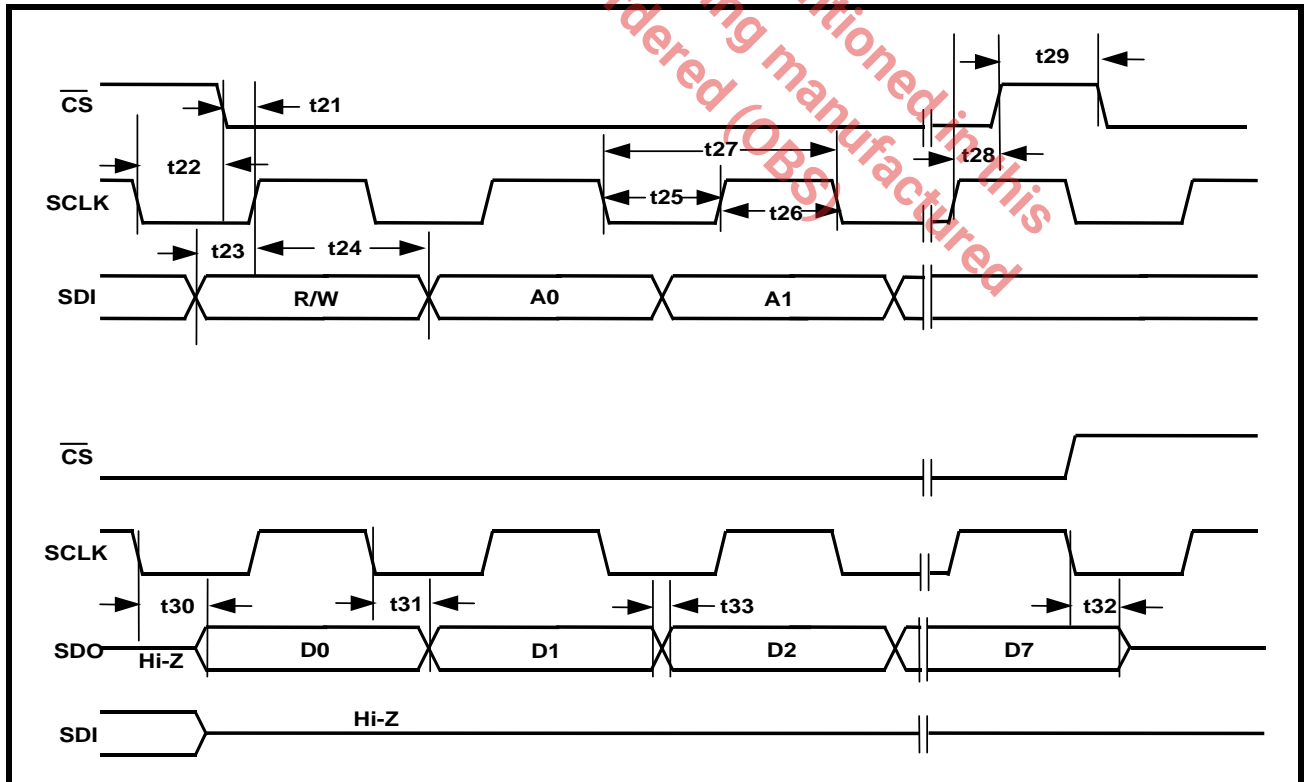
FIGURE 8. BELLCORE GR-253-CORE TRANSMIT OUTPUT PULSE TEMPLATE FOR SONET STS-1 APPLICATIONS



MICROPROCESSOR SERIAL INTERFACE TIMING (SEE FIGURE 9)

SYMBOL	PARAMETER	MIN.	TYP.	MAX.	UNITS
t ₂₁	\overline{CS} Low to Rising Edge of SCLK Setup Time	50			ns
t ₂₂	\overline{CS} High to Rising Edge of SCLK Hold Time	20			ns
t ₂₃	SDI to Rising Edge of SCLK Setup Time	50			ns
t ₂₄	SDI to Rising Edge of SCLK Hold Time	50			ns
t ₂₅	SCLK "Low" Time	240			ns
t ₂₆	SCLK "High" Time	240			ns
t ₂₇	SCLK Period	500			ns
t ₂₈	\overline{CS} Low to Rising Edge of SCLK Hold Time	50			ns
t ₂₉	\overline{CS} Inactive Time	250			ns
t ₃₀	Falling Edge of SCLK to SDO Valid Time			200	ns
t ₃₁	Falling Edge of SCLK to SDO Invalid Time			100	ns
t ₃₂	Falling Edge of SCLK or Rising Edge of \overline{CS} to High Z		100		ns
t ₃₃	Rise/Fall time of SDO Output			40	ns

FIGURE 9. TIMING DIAGRAM FOR THE MICROPROCESSOR SERIAL INTERFACE



XRT7300

E3/DS3/STS-1 LINE INTERFACE UNIT

REV. 1.1.2



SYSTEM DESCRIPTION

A functional block diagram of the XRT7300 E3/DS3/STS-1 Transceiver IC (see Figure 1) shows that the device contains three distinct sections:

- The Transmit Section
- The Receive Section
- The Microprocessor Serial Interface

THE TRANSMIT SECTION

The Transmit Section accepts TTL/CMOS level signals from the Terminal Equipment in either a Single-Rail or Dual-Rail format. The Transmit Section then takes this data and does the following:

- Encodes the data into the B3ZS format if the DS3 or SONET STS-1 Modes have been selected or into the HDB3 format if the E3 Mode has been selected.
- Converts the CMOS level B3ZS or HDB3 encoded data into pulses with shapes that are compliant with the various industry standard pulse template requirements.
- Drives these pulses onto the line via the TTIP and TRING output pins across a 1:1 Transformer.

NOTE: The Transmit Section drives a "1" (or a Mark) on the line by driving either a positive or negative polarity pulse across the 1:1 Transformer within a given bit period. The Transmit Section drives a "0" (or a Space) onto the line by driving no pulse onto the line.

THE RECEIVE SECTION

The Receive Section receives a bipolar signal from the line either via a 1:1 Transformer or a 0.01mF Capacitor. As the Receive Section receives this line signal it does the following:

- Adjusts the signal level through an AGC circuit.
- Optionally equalizes this signal for cable loss.
- Attempts to quantify a bit-interval within the line signal as either a "1", "-1" or a "0" by slicing this data. This sliced data is used by the Clock Recovery PLL to recover the timing element within the line signal.
- The sliced data is routed to the HDB3/B3ZS Decoder, during which the original data content as transmitted by the Remote Terminal Equipment is restored to its original content.
- Outputs the recovered clock and data to the Local Terminal Equipment in the form of CMOS level signals via the RPOS, RNEG, RCLK1 and RCLK2 output pins.

THE MICROPROCESSOR SERIAL INTERFACE

The XRT7300 can be configured to operate in either the Hardware Mode or the HOST Mode.

The Hardware Mode

Connect the HOST/HW input pin (pin 18) to GND to configure the XRT7300 to operate in the Hardware Mode.

When the XRT7300 is operating in the Hardware Mode, the following is true:

1. The Microprocessor Serial Interface block is disabled.
2. The XRT7300 is configured via input pin settings. Each of the pins associated with the Microprocessor Serial Interface takes on their alternative role as defined in Table 1.
3. All of the remaining input pins become active.

TABLE 1: ROLE OF MICROPROCESSOR SERIAL INTERFACE PINS WHEN THE XRT7300 IS OPERATING IN THE HARDWARE MODE

PIN #	PIN NAME	FUNCTION WHILE IN THE HARDWARE MODE
11	REGRESET/(RCLK2INV)	RCLK2INV
19	SDI/(LOSMUTEN)	LOSMUTEN
20	SDO/(LCV)	LCV
21	SCLK/(ENCODIS)	ENCODIS
22	CS/(DECODIS)	DECODIS
30	LCV/(RCLK2)	RCLK2



The HOST Mode

To configure the XRT7300 to operate in the HOST Mode, connect the HOST/HW input pin (pin 18) to VDD.

When the XRT7300 is operating in the HOST Mode, the following is true:

1. The Microprocessor Serial Interface block is enabled. Many configuration selections are made by writing the appropriate data into the on-chip Command Registers via the Microprocessor Serial Interface.
2. All of the following input pins are disabled:
 - Pin 1 - TXLEV
 - Pin 2 - TAOS
 - Pin 12 - REQDIS
 - Pin 14 - LLB

- Pin 15 - RLB
- Pin 16 - STS-1/ $\overline{\text{DS3}}$
- Pin 17 - E3
- Pin 35 - TXOFF

Tie each of these pins to GND if the XRT7300 IC is to be operated in the HOST Mode.

Please see Section 5.0 for a detailed description on operating the Microprocessor Serial Interface or the on-chip Command Registers.

1.0 SELECTING THE DATA RATE

The XRT7300 can be configured to support the E3 (34.368 Mbps), DS3 (44.736 Mbps) or the SONET STS-1 (51.84 Mbps) rates. Selection of the data rate is dependent on whether the XRT7300 is operating in the Hardware or HOST Mode.

TABLE 2: SELECTING THE DATA RATE FOR THE XRT7300 VIA THE E3 AND STS-1/ $\overline{\text{DS3}}$ INPUT PINS (HARDWARE MODE)

DATA RATE	STATE OF E3 PIN (PIN 17)	STATE OF STS-1/ $\overline{\text{DS3}}$ PIN (PIN 16)	MODE OF B3ZS/HDB3 ENCODER/DECODER BLOCKS
E3 (34.368 Mbps)	VDD	X (Don't Care)	HDB3
DS3 (44.736 Mbps)	0	0	B3ZS
STS-1 (51.84 Mbps)	0	VDD	B3ZS

A. When operating in the Hardware Mode.

To configure the XRT7300 for the desired data rate, the E3 and the STS-1/ $\overline{\text{DS3}}$ pins must be set to the appropriate logic states shown in Table 2.

B. When operating in the HOST Mode.

To configure the XRT7300 for the desired data rate, appropriate values need to be written into the STS-1/ $\overline{\text{DS3}}$ and E3 bit-fields in Command Register CR4.

COMMAND REGISTER CR4 (ADDRESS = 0X04)

D4	D3	D2	D1	D0
X	STS-1/ $\overline{\text{DS3}}$	E3	LLB	RLB
X	X	X	X	X

Table 3 relates the values of these two bit-fields with respect to the selected data rates.

TABLE 3: SELECTING THE DATA RATE FOR THE XRT7300 VIA THE STS-1/ $\overline{\text{DS3}}$ AND THE E3 BIT-FIELDS WITHIN COMMAND REGISTER CR4 (HOST MODE)

SELECTED DATA RATE	STS-1/ $\overline{\text{DS3}}$	E3
E3	Don't Care	1
DS3	0	0
STS-1	1	0

The results of making these selections are:

1. The VCO Center Frequency of the Clock Recovery Phase-Locked-Loop is configured to match the selected data rate.
2. The B3ZS/HDB3 Encoder and Decoder blocks are configured to support B3ZS Encoding/Decoding if the DS3 or STS-1 data rates were selected or,
3. The B3ZS/HDB3 Encoder and Decoder blocks are configured to support HDB3 Encoding/Decoding if the E3 data rate was selected.
4. The on-chip Pulse-Shaping circuitry is configured to generate Transmit Output pulses of the correct

XRT7300

E3/DS3/STS-1 LINE INTERFACE UNIT

REV. 1.1.2



shape and width to meet the applicable pulse template requirement.

- The LOS Declaration/Clearance Criteria is established.

2.0 THE TRANSMIT SECTION

Figure 1 indicates that the Transmit Section of the XRT7300 consists of the following blocks:

- Transmit Logic Block
- Duty Cycle Adjust Block
- HDB3/B3ZS Encoder
- Pulse Shaping Block

The purpose of the Transmit Section in the XRT7300 is to take TTL/CMOS level data from the terminal equipment and encode it into a format that can:

- be efficiently transmitted over coaxial cable at E3, DS3 or STS-1 data rates.
- be reliably received by the Remote Terminal at the other end of the E3, DS3 or STS-1 data link.

- comply with the applicable pulse template requirements.

2.1 THE TRANSMIT LOGIC BLOCK

The purpose of the Transmit Logic Block is to accept either Dual-Rail or Single-Rail (a binary data stream) TTL/CMOS level data and timing information from the Terminal Equipment.

Accepting Dual-Rail Data from the Terminal Equipment

The XRT7300 accepts Dual-Rail data from the Terminal Equipment via the following input signals:

- TPDATA
- TNDATA
- TCLK

Figure 10 illustrates the typical interface for the transmission of data in a Dual-Rail Format between the Terminal Equipment and the Transmit Section of the XRT7300.

FIGURE 10. THE TYPICAL INTERFACE FOR THE TRANSMISSION OF DATA IN A DUAL-RAIL FORMAT FROM THE TRANSMITTING TERMINAL EQUIPMENT TO THE TRANSMIT SECTION OF THE XRT7300

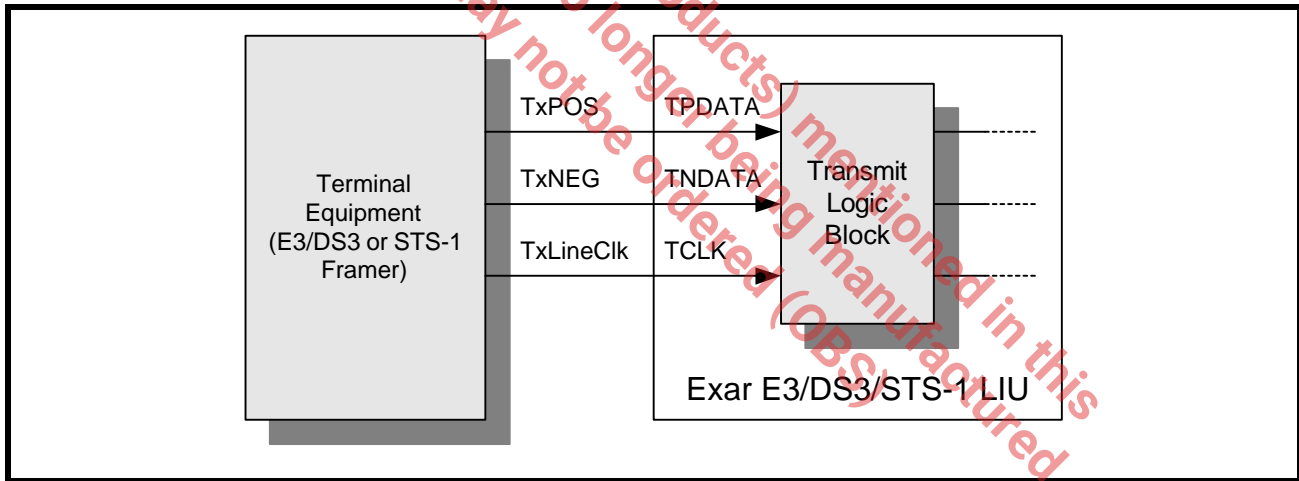
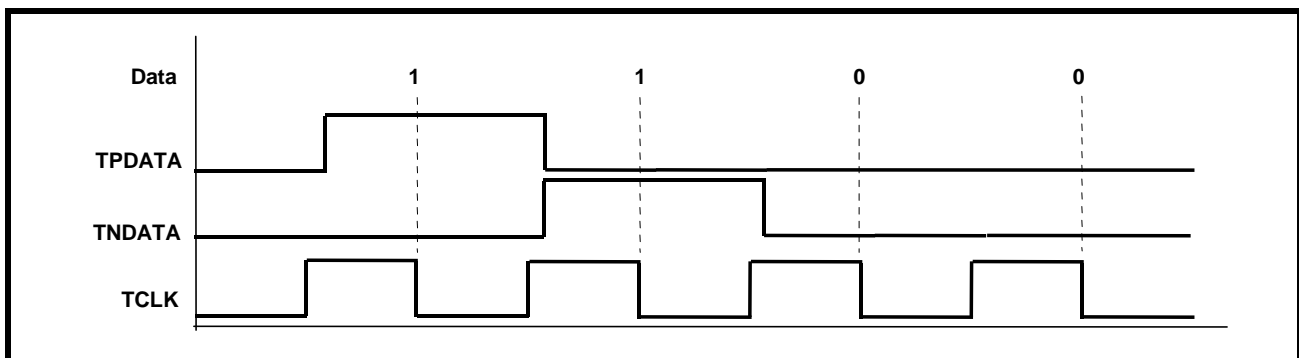


FIGURE 11. HOW THE XRT7300 SAMPLES THE DATA ON THE TPDATA AND TNDATA INPUT PINS



The manner that the LIU handles Dual-Rail data is described below and illustrated in Figure 11. The XRT7300 typically samples the data on the TPDATA and TNDATA input pins on the falling edge of TCLK.

TCLK is typically a clock signal that is of the selected data rate frequency. For the E3 data rate, TCLK is 34.368 MHz. For the DS3 data rate, TCLK is 44.736 MHz and for the SONET STS-1 rate, TCLK is 51.84 MHz. In general, if the XRT7300 samples a “1” on the TPDATA input pin, the Transmit Section of the device ultimately generates a positive polarity pulse via the TTIP and TRING output pins across a 1:1 transformer. If the XRT7300 samples a “1” on the TNDATA input pin, the Transmit Section of the device ultimately generates a negative polarity pulse via the TTIP and TRING output pins across a 1:1 transformer.

2.1.1 Accepting Single-Rail Data from the Terminal Equipment

Do the following if data is to be transmitted from the Terminal Equipment to the XRT7300 in Single-Rail format (a binary data stream) without having to convert it into a Dual-Rail format.

- A. Configure the XRT7300 to operate in the HOST Mode or,

- B. access the Microprocessor Serial Interface and write a “1” into the TXBIN (TRANSMIT BINARY) bit-field in Command Register 1.

COMMAND REGISTER CR1 (ADDRESS = 0X01)

D4	D3	D2	D1	D0
TXOFF	TAOS	TXCLKINV	TXLEV	TXBIN
X	X	X	X	1

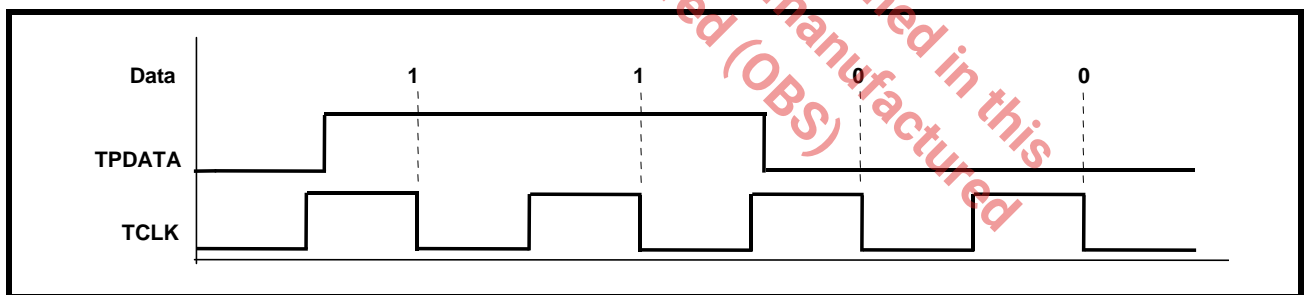
After taking these steps, the Transmit Logic Block accepts Single-Rail data via the TPDATA input pin. The XRT7300 samples this input pin on the falling edge of the TCLK clock signal and encodes it into the appropriate bipolar line signal across the TTIP and TRING output pins.

NOTES:

1. In this mode the Transmit Logic Block ignores the TNDATA input pin.
2. If the Transmit Section of the XRT7300 is configured to accept Single-Rail data from the Terminal Equipment, the B3ZS/HDB3 Encoder must be enabled.

Figure 12 illustrates the behavior of the TPDATA and TCLK signals when the Transmit Logic Block has been configured to accept Single-Rail data from the Terminal Equipment.

FIGURE 12. THE BEHAVIOR OF THE TPDATA AND TCLK INPUT SIGNALS WHILE THE TRANSMIT LOGIC BLOCK IS ACCEPTING SINGLE-RAIL DATA FROM THE TERMINAL EQUIPMENT



2.2 THE TRANSMIT CLOCK DUTY CYCLE ADJUST CIRCUITRY

The on-chip Pulse-Shaping circuitry (in the Transmit Section of the XRT7300) has the responsibility for generating pulses of the shape and width to comply with the applicable pulse template requirement. The widths of these output pulses are defined by the width of the half-period pulses in the TCLK signal.

Allowing the widths of the pulses in the TCLK clock signal to vary significantly could jeopardize the chip's ability to generate Transmit Output pulses of the appropriate width, thereby failing the applicable Pulse

Template Requirement Specification. Consequently, the chips ability to generate compliant pulses could depend upon the duty cycle of the clock signal applied to the TCLK input pin.

In order to combat this phenomenon, the Transmit Clock Duty Cycle Adjust circuit was designed into the XRT7300. The Transmit Clock Duty Cycle Adjust Circuitry is a PLL that was designed to accept clock pulses via the TCLK input pin at duty cycles ranging from 30% to 70% and to regenerate these signals with a 50% duty cycle.

XRT7300

E3/DS3/STS-1 LINE INTERFACE UNIT

REV. 1.1.2



The XRT7300 Transmit Clock Duty Cycle Adjust circuit alleviates the need to supply a signal with a 50% duty cycle to the TCLK input pin.

2.3 THE HDB3/B3ZS ENCODER BLOCK

The purpose of the HDB3/B3ZS Encoder Block is to aid in the Clock Recovery process (at the Remote Terminal Equipment) by ensuring an upper limit on the number of consecutive zeros that can exist in the line signal.

2.3.1 B3ZS Encoding

If the XRT7300 is configured to operate in the DS3 or SONET STS-1 Modes, then the HDB3/B3ZS Encoder block operates in the B3ZS Mode. When the Encoder is operating in this mode, it parses through and searches the Transmit Binary Data Stream (from the Transmit Logic Block) for the occurrence of three (3) consecutive zeros ("000"). If the B3ZS Encoder finds

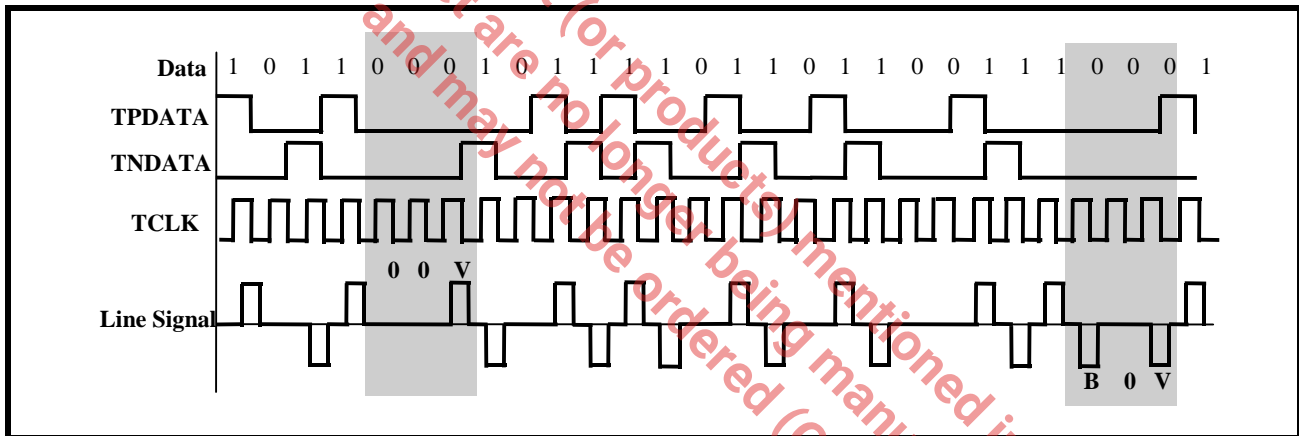
an occurrence of three consecutive zeros, it substitutes these three "0's" with either a "00V" or a "B0V" pattern.

"B" represents a Bipolar pulse that is compliant with the Alternating Polarity requirements of the AMI (Alternate Mark Inversion) line code and "V" represents a bipolar Violation (e.g., a bipolar pulse that violates the Alternating Polarity requirements of the AMI line code).

The B3ZS Encoder decides whether to substitute with either a "00V" or a "B0V" pattern in order to insure that an odd number of bipolar pulses exist between any two consecutive violation pulses.

Figure 13 illustrates the B3ZS Encoder at work with two separate strings of three (or more) consecutive zeros.

FIGURE 13. AN EXAMPLE OF B3ZS ENCODING



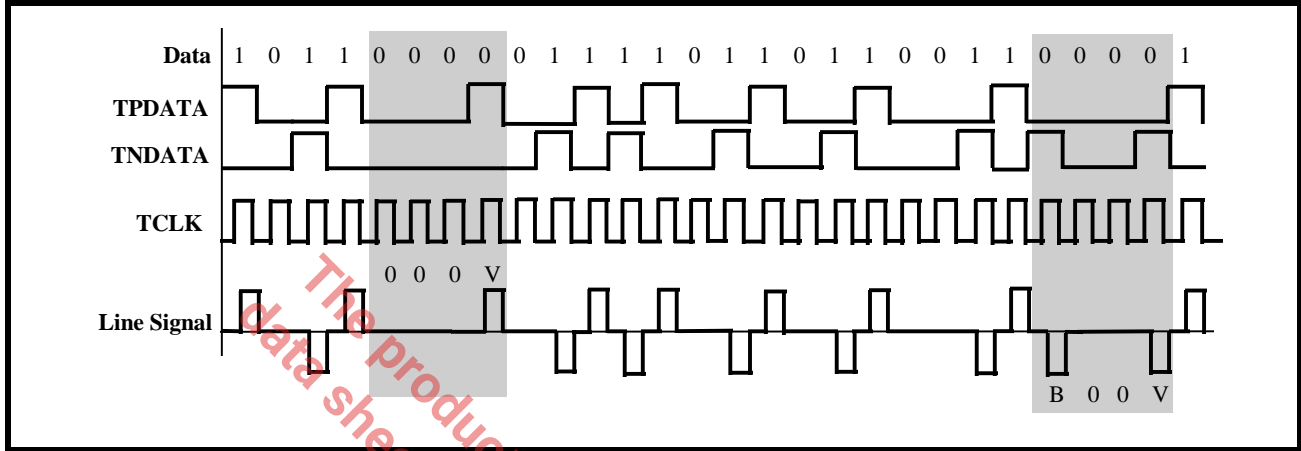
2.3.2 HDB3 Encoding

If the XRT7300 is configured to operate in the E3 Mode, then the HDB3/B3ZS Encoder block operates in the HDB3 Mode. When the Encoder is operating in this mode, it parses through and searches the Transmit Data Stream (from the Transmit Logic Block) for

the occurrence of four (4) consecutive zeros ("0000"). If the HDB3 Encoder finds an occurrence of four consecutive zeros, then it substitutes these four "0's" with either a "000V" or a "B00V" pattern in order to insure that an odd number of bipolar pulses exist between any two consecutive violation pulses.

Figure 14 illustrates the HDB3 Encoder at work with two separate strings of four (or more) consecutive zeros.

FIGURE 14. AN EXAMPLE OF HDB3 ENCODING



2.3.3 Enabling/Disabling the HDB3/B3ZS Encoder

The XRT7300 allows two methods to enable or disable the HDB3/B3ZS Encoder.

If the XRT7300 is operating in the Hardware Mode.

To enable the HDB3/B3ZS Encoder, set the ENCODIS input pin (pin 21) to “0”. To disable the HDB3/B3ZS Encoder, set the ENCODIS input pin (pin 21) to “1”.

If the XRT7300 is operating in the HOST Mode.

To enable the HDB3/B3ZS Encoder, set the ENCODIS bit-field in Command Register (CR2) to “0”.

COMMAND REGISTER CR2 (ADDRESS = 0X02)

D4	D3	D2	D1	D0
DECODIS	ENCODIS	ALOSDIS	DLOSDIS	REQDIS
X	0	X	X	X

To disable the HDB3/B3ZS Encoder, set the ENCODIS bit-field in Command Register (CR2) to “1”.

If either of these two methods is employed to disable the HDB3/B3ZS Encoder, the LIU transmits the data onto the line as it is received via the TPDATA and TNDATA input pins.

2.4 THE TRANSMIT PULSE SHAPER CIRCUITRY

The Transmit Pulse Shaper Circuitry consists of a Transmit Line Build-Out circuit which can be enabled or disabled by setting the TXLEV input pin (or TXLEV bit-field) to “High” or “Low”. The purpose of the Transmit Line Build-Out circuit is to permit configuring

of the XRT7300 to transmit an output pulse which is compliant to either of the following Bellcore pulse template requirements when measured at the Digital Cross Connect System. Each of these Bellcore specifications further state that the cable length between the Transmit Output and the Digital Cross Connect system can range anywhere from 0 to 450 feet.

The Isolated DSX-3 Pulse Template Requirement per Bellcore GR-499-CORE is illustrated in Figure 7.

The Isolated STSX-1 Pulse Template Requirement per Bellcore GR-253-CORE is illustrated in Figure 8.

2.4.1 Enabling the Transmit Line Build-Out Circuit

If the Transmit Line Build-Out Circuit is enabled, the XRT7300 outputs shaped pulses onto the line via the TTIP and TRING output pins.

Do the following to enable the Transmit Line Build-Out circuit in the XRT7300:

- If the XRT7300 is operating in the Hardware Mode, set the TXLEV input pin (pin 1) to “Low”
- If the XRT7300 is operating in the HOST Mode, set the TXLEV bit-field to “0” as illustrated below.

COMMAND REGISTER CR1 (ADDRESS = 0X01)

D4	D3	D2	D1	D0
TXOFF	TAOS	TXCLKINV	TXLEV	TXBIN
0	X	X	0	1

2.4.2 Disabling the Transmit Line Build-Out Circuit

XRT7300

E3/DS3/STS-1 LINE INTERFACE UNIT

REV. 1.1.2



If the Transmit Line Build-Out circuit is disabled, then the XRT7300 outputs partially-shaped pulses onto the line via the TTIP and TRING output pins.

Disable the Transmit Line Build-Out circuit in the XRT7300 by doing the following:

- If the XRT7300 is operating in the Hardware Mode, set the TXLEV input pin (pin 1) to "High"
- If the XRT7300 is operating in the HOST Mode, set the TXLEV bit-field to "1" as illustrated below.

COMMAND REGISTER CR1 (ADDRESS = 0X01)

D4	D3	D2	D1	D0
TXOFF	TAOS	TXCLKINV	TXLEV	TXBIN
0	X	X	1	1

2.4.3 Design Guideline for Setting the Transmit Line Build-Out Circuit

The setting of TXLEV input pin or bit-field should be based upon the overall cable length between the Transmitting Terminal and the Digital Cross Connect system (where the pulse template measurements are made).

If the cable length between the Transmitting Terminal and the DSX-3 or STSX-1 is less than 225 feet, it is advisable to enable the Transmit Line Build-Out circuit by setting the TXLEV input pin or bit-field to "0".

NOTE: In this case the XRT7300 outputs shaped (e.g., not square-wave) pulses onto the line via the TTIP and TRING output pins. The shape of this output pulse is such that it complies with the pulse template requirements even when subjected to cable loss ranging from 0 to 225 feet.

If the cable length between the Transmitting Terminal and the DSX-3 or STSX-1 is greater than 225 feet, it is advisable to disable the Transmit Line Build-Out circuit by setting the TXLEV input pin or bit-field to "1".

NOTE: In this case the XRT7300 outputs partially-shaped pulses onto the line via the TTIP and TRING output pins. The cable loss that these pulses experience over long cable lengths (e.g., greater than 225 feet) causes these pulses to be properly shaped and comply with the appropriate pulse template requirement.

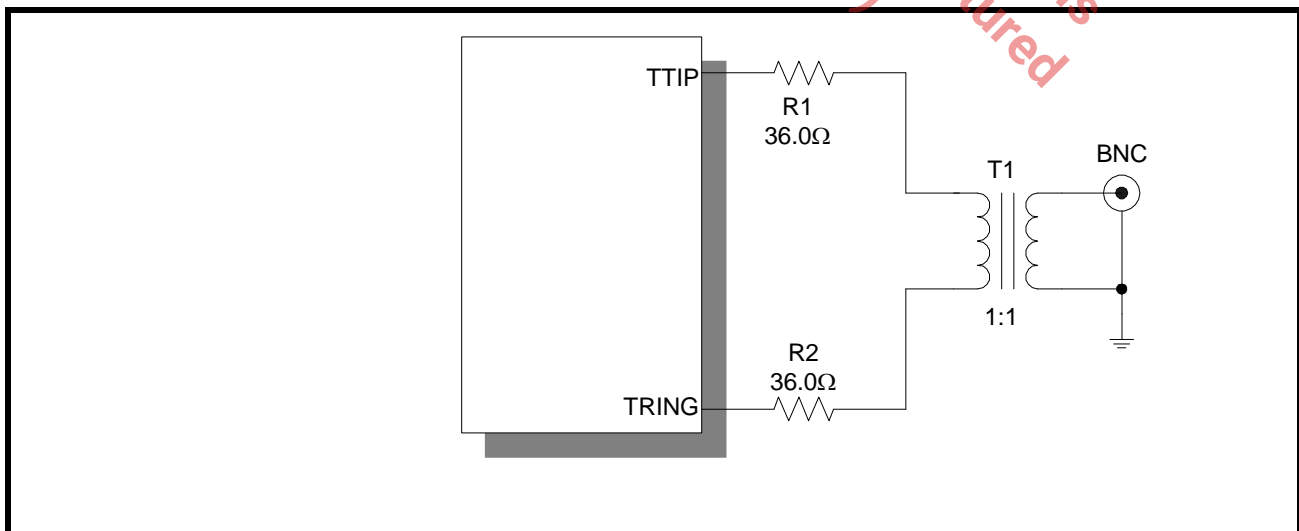
2.4.4 The Transmit Line Build-Out Circuit and E3 Applications

The ITU-T G.703 Pulse Template Requirements for E3 states that the E3 transmit output pulse should be measured at the Secondary Side of the Transmit Output Transformer for Pulse Template compliance. In other words, there is no Digital Cross Connect System pulse template requirement for E3 and the Transmit Line Build-Out circuit in the XRT7300 is disabled whenever it is operating in the E3 Mode.

2.5 INTERFACING THE TRANSMIT SECTION OF THE XRT7300 TO THE LINE

The E3, DS3 and SONET STS-1 specification documents all state that line signals transmitted over coaxial cable are to be terminated with 75 Ohms. Therefore, interface the Transmit Section of the XRT7300, as illustrated in Figure 15 which shows two 36 Ohm resistors in series with the primary side of the transformer. These two 36Ohm resistors closely match the 75Ohm load termination resistor thereby minimizing Transmit Return Loss.

FIGURE 15. RECOMMENDED SCHEMATIC FOR INTERFACING THE TRANSMIT SECTION OF THE XRT7300 TO THE LINE



TRANSFORMER RECOMMENDATIONS

PARAMETER	VALUE
Turns Ratio	1:1
Primary Inductance	40 μ H
Isolation Voltage	1500Vrms
Leakage Inductance	0.6 μ H

PART NUMBER	VENDOR	INSULATION	PACKAGE TYPE
PE-68629	Pulse	3000V	Large Thru-Hole
PE-65966	Pulse	1500V	Small Thru-Hole
PE-65967	Pulse	1500V	Small SMT
T3001	Pulse	1500V	Small SMT

TRANSFORMER VENDOR INFORMATION

FAX: 65-280-0080

Pulse

Corporate Office

12220 World Trade Drive
 San Diego, CA 92128
 Tel: (619)-674-8100
 FAX: (619)-674-8262

Europe

1 & 2 Huxley Road
 The Surrey Research Park
 Guildford, Surrey GU2 5RE
 United Kingdom
 Tel: 44-1483-401700
 FAX: 44-1483-401701

Asia

150 Kampong Ampat
 #07-01/02
 KA Centre
 Singapore 368324
 Tel: 65-287-8998

3.0 THE RECEIVE SECTION

Figure 1 indicates that the XRT7300 Receive Section consists of the following blocks:

- AGC/Equalizer
- Peak Detector
- Slicer
- Clock Recovery PLL
- Data Recovery
- HDB3/B3ZS Decoder

The purpose of the XRT7300 Receive Section is to take an incoming attenuated/distorted bipolar signal from the line and encode it back into the TTL/CMOS format where it can be received and processed by digital circuitry in the Terminal Equipment.

3.1 INTERFACING THE RECEIVE SECTION OF THE XRT7300 TO THE LINE

By design, the Receive Section of the XRT7300 can be transformer-coupled or capacitive-coupled to the line. The specification documents for E3, DS3 and STS-1 all specify 75Ohm termination loads when transmitting over coaxial cable. It is recommended to

XRT7300

E3/DS3/STS-1 LINE INTERFACE UNIT

REV. 1.1.2



interface the Receive Section of the XRT7300 to the line as shown in Figure 16 or Figure 17.

FIGURE 16. RECOMMENDED SCHEMATIC FOR INTERFACING THE RECEIVE SECTION OF THE XRT7300 TO THE LINE (TRANSFORMER-COUPLING)

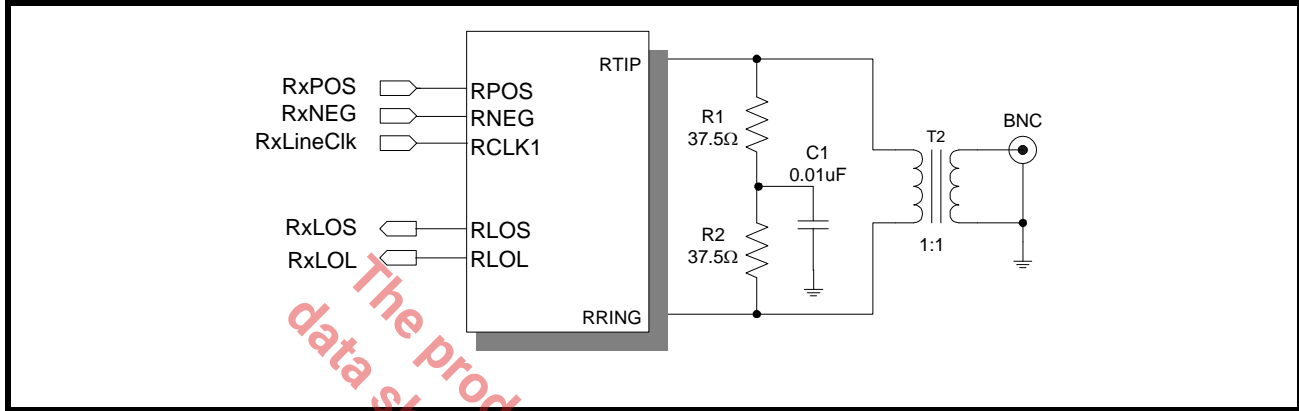
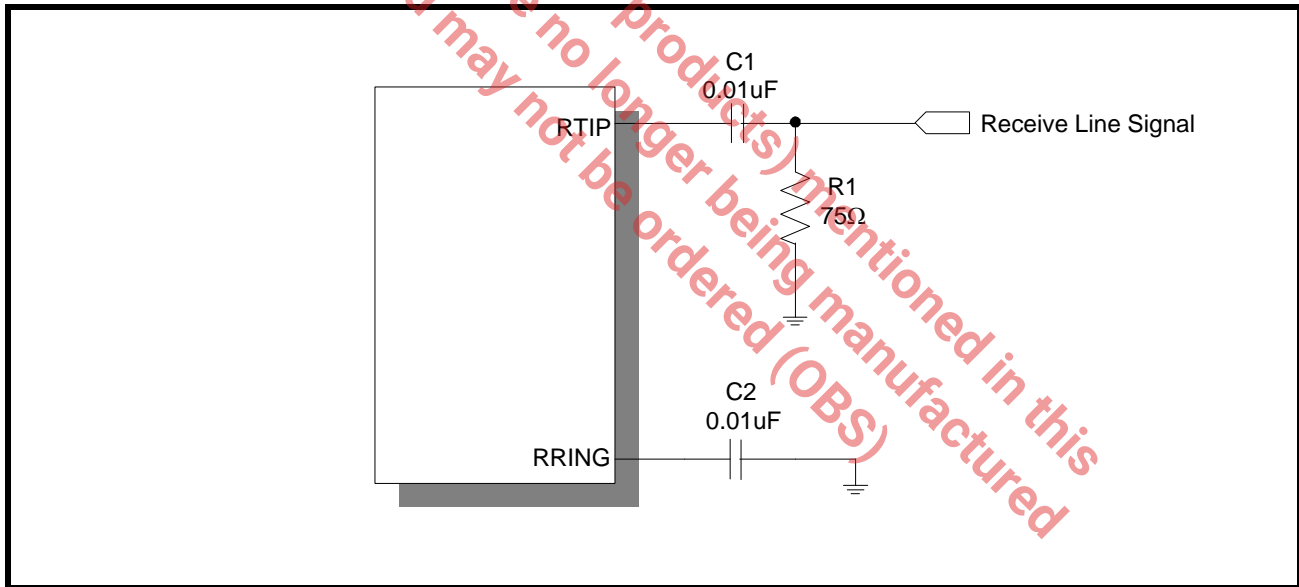


FIGURE 17. RECOMMENDED SCHEMATIC FOR INTERFACING THE RECEIVE SECTION OF THE XRT7300 TO THE LINE (CAPACITIVE-COUPLING)



3.2 THE RECEIVE EQUALIZER BLOCK

After the XRT7300 has received the incoming line signal via the RTIP and RRING input pins, the first block that this signal passes through is the AGC circuit followed by the Receive Equalizer.

As the line signal is transmitted from a given transmitting terminal, the pulse shapes at that location are basically square. Hence, these pulses consist of a combination of “Low” and “High” frequency Fourier components. As this line signal travels from the transmitting terminal via the coaxial cable to the receiving terminal, it is subjected to frequency-dependent loss. In other words, the higher-frequency components of

the signal is subjected to a greater amount of attenuation than the lower-frequency components. If this line signal travels over reasonably long cable lengths (e.g., greater than 450 feet), then the shape of the pulses (which were originally square) is distorted and inter-symbol interference increases.

The purpose of the Receive Equalizer is to equalize the distortion of the incoming signal due to cable loss. The Receive Equalizer accomplishes this by subjecting the received line signal to frequency-dependent amplification (which attempts to counter the frequency dependent loss that the line signal has experienced) and to restore the shape of the line signal so

that the transmitted data and clock can be recovered reliably.

The Use of the Receive Equalizer in a Typical DS3 or STS-1 Application

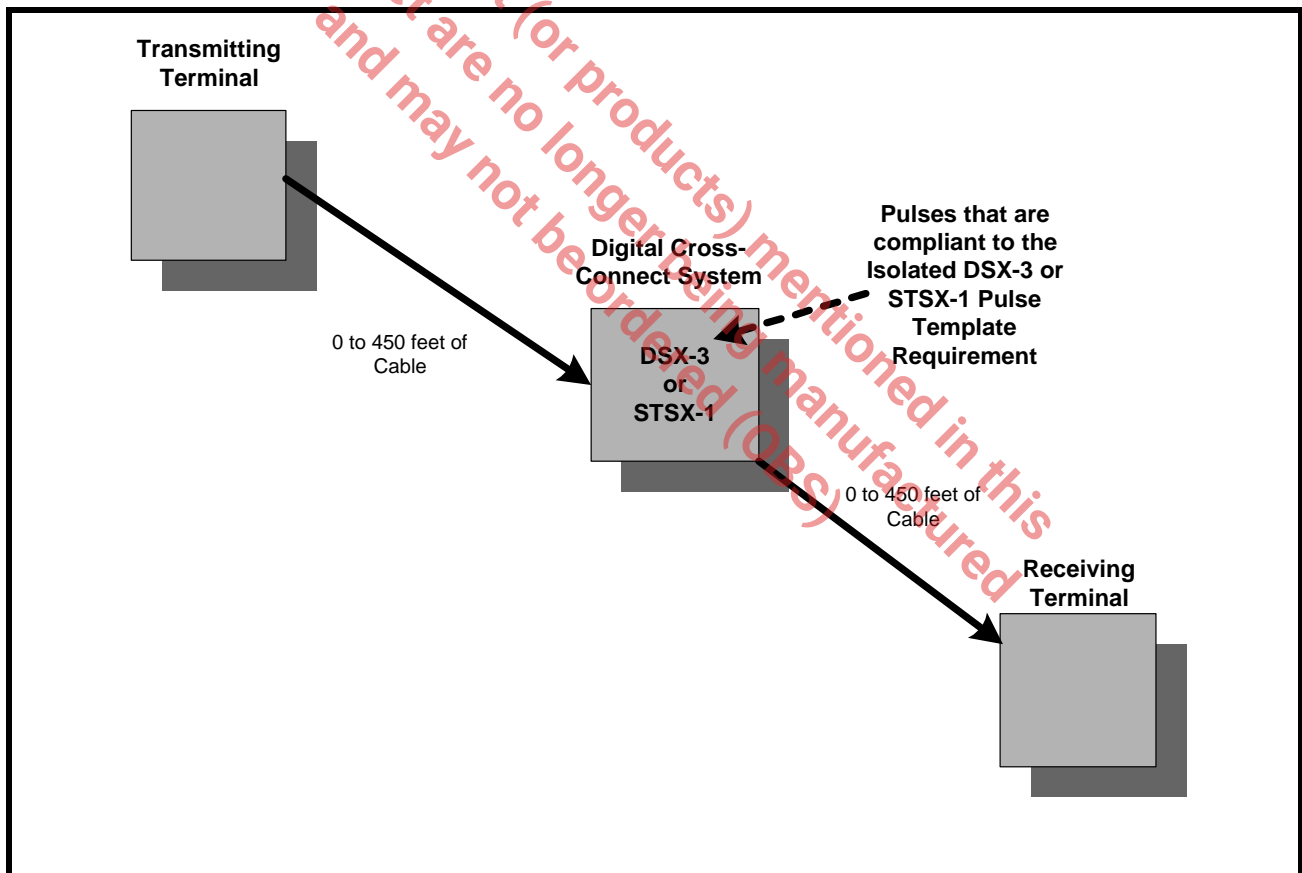
Most System Manufacturers of equipment supporting DS3 and STS-1 lines interface their equipment to a Digital Cross-Connect System. While installing their equipment, the Transmit Line Build-Out circuit is set to the proper setting that makes the transmit output pulse compliant with the Isolated DSX-3 or STSX-1 Pulse Template requirements. For the XRT7300 this is achieved by setting the TXLEV input pin or bit-field to the appropriate level.

When the System Manufacturer is interfacing the Receive Section of the XRT7300 to the Digital Cross-Connect system, they should keep aware of the following facts:

1. By definition, all DS3 or STS-1 line signals that are present at the Digital Cross-Connect system are required to meet the Isolated Pulse Template Requirements per Bellcore GR-499-CORE for DS3 applications or Bellcore GR-253-CORE for STS-1 applications.
2. Further, these Bellcore documents state that the amplitude of these pulses at the DSX-3 or STSX-1 can range in amplitude from 360mVpk to 850mVpk.
3. Finally, these Bellcore documents stipulate that the Receiving Terminal must be able to receive this pulse-template compliant line signal over a cable length of 0 to 450 feet from the Digital Cross Connect system.

These facts are reflected in Figure 18.

FIGURE 18. THE TYPICAL APPLICATION FOR THE SYSTEM INSTALLER



Design Considerations for DS3 and STS-1 Applications

When installing equipment into environments as depicted in Figure 15, it is recommended that the Receive Equalizer be enabled by setting the REQDIS input pin or bit-field to "0". In fact, the only time that the

Receive Equalizer should be disabled is when there is an off-chip equalizer in the Receive path between the Digital Cross-Connect system and the RTIP/RRING input pins or, in applications where the Receiver is monitoring the transmit output signal directly.

XRT7300

E3/DS3/STS-1 LINE INTERFACE UNIT

REV. 1.1.2



Design Considerations for E3 Applications or if the Overall Cable Length is known

Figure 18 indicates the following:

- A. the length of cable between the Transmitting Terminal and the Digital Cross-Connect system can range between 0 and 450 feet and
- B. the length of cable between the Digital Cross-Connect system and the Receive Terminal can range between 0 and 450 feet.

The overall cable length between the Transmitting Terminal and the Receiving Terminal can range between very short cable length (near 0 feet) up to 900 feet.

If during system installation the overall cable length is known, then (to optimize the performance of the XRT7300 in terms of receive jitter performance, etc.), the Receive Equalizer should be enabled or disabled based upon the following recommendations:

The Receive Equalizer should be turned ON if the Receive Section is going to receive a line signal with an overall cable length of 300 feet or greater. The Receive Equalizer should be turned OFF if the Receive Section is going to receive a line signal over a cable length of less than 300 feet.

NOTES:

1. If the Receive Equalizer block is turned ON (in a given Receive Section that is receiving a line signal over short cable length), there is the risk of over-equalizing the received line signal which could degrade performance by increasing the amount of jitter that exists in the recovered data and clock signals or by creating bit-errors.
2. The Receive Equalizer has been designed to counter the frequency-dependent cable loss that a line signal experiences as it travels from the Transmitting Terminal to the Receiving Terminal. However, Receive Equalizer was not designed to counter flat loss where all of the Fourier frequency components in the line signal are subject to the same amount of attenuation. Flat loss is handled by the AGC block.

The Receive Equalizer block can be disabled setting the REQDIS input pin "High" when operating in the Hardware Mode or writing a "1" to the REQDIS bit-field in Command Register CR2 when operating the XRT7300 in the HOST Mode.

COMMAND REGISTER CR2 (ADDRESS = 0X02)

D4	D3	D2	D1	D0
DECODIS	ENCODIS	ALOSDIS	DLOSDIS	REQDIS
X	0	X	X	1

3.3 PEAK DETECTOR AND SLICER

After the incoming line signal has passed through the Receive Equalizer it is routed to the Slicer block. The purpose of the Slicer is to quantify a given bit-period (or symbol) within the incoming line signal as either a "1" or a "0".

3.4 CLOCK RECOVERY PLL

The output of the Slicer, which is now Dual-Rail digital pulses, is routed to the Clock Recovery PLL. The purpose of the Clock Recovery PLL is to track the incoming Dual-Rail data stream and to derive and generate a recovered clock signal.

It is important to note that the Clock Recovery PLL requires a line rate clock signal at the EXCLK input pin.

The Clock Recovery PLL operates in one of two modes:

- The Training Mode.
- The Data/Clock Recovery Mode

1. The Training Mode

If the XRT7300 is not receiving a line signal via the RTIP and RRING input pins or if the frequency difference between the line signal and that applied via the EXCLK input pin exceeds 0.5%, then the XRT7300 LIU IC is operating in the Training Mode. When the LIU is operating in the Training Mode it does the following:

- A. declares a Loss of Lock indication by toggling the RLOL output pin "High" and
- B. outputs a clock signal via the RCLK1 and RCLK2 output pins which is derived from the signal applied to the EXCLK input pin.

2. The Data/Clock Recovery Mode

If the frequency difference between the line signal and that applied via the EXCLK input pin is less than 0.5%, the XRT7300 LIU IC is operating in the Data/Clock Recovery Mode. In this mode, the Clock Recovery PLL is locked onto the line signal via the RTIP and RRING input pins.

3.5 THE HDB3/B3ZS DECODER

The Remote Transmitting Terminal typically encodes the line signal into some sort of Zero Suppression Line Code (e.g., HDB3 for E3 and B3ZS for DS3 and STS-1). The purpose of this encoding activity was to aid in the Clock Recovery process of this data in the Near-End Receiving Terminal. However, once the data has made it across the E3, DS3 or STS-1 Transport Medium and has been recovered by the Clock Recovery PLL, it is now necessary to restore the original content of the data. The purpose of the HDB3/B3ZS Decoding block is to restore the data (transmit-

ted over the E3, DS3 or STS-1 line) to its original content prior to Zero Suppression encoding.

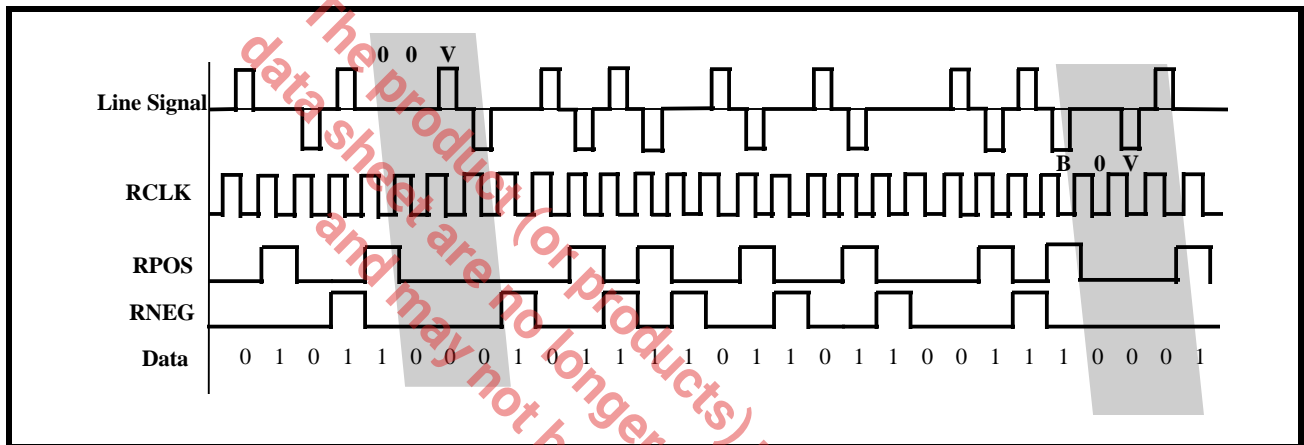
3.5.1 B3ZS Decoding DS3/STS-1 Applications

If the XRT7300 is configured to operate in the DS3 or STS-1 Modes, then the HDB3/B3ZS Decoding Block performs B3ZS Decoding. When the Decoder is operating in this mode it parses through the incoming Dual-Rail data and checks for the occurrence of either a "00V" or a "B0V" pattern. If the B3ZS Decoder detects this particular pattern it substitutes these bits with a "000" pattern.

NOTE: If the B3ZS Decoder detects any bipolar violations that is not in accordance with the "B3ZS Line Code" format, or if the B3ZS Decoder detects a string of 3 (or more) consecutive "0's" in the incoming line signal, then the B3ZS Decoder flags this event as a Line Code Violation by pulsing the LCV output pin "High".

Figure 19 illustrates the B3ZS Decoder at work with two separate Zero Suppression patterns in the incoming Dual-Rail Data Stream.

FIGURE 19. AN EXAMPLE OF B3ZS DECODING



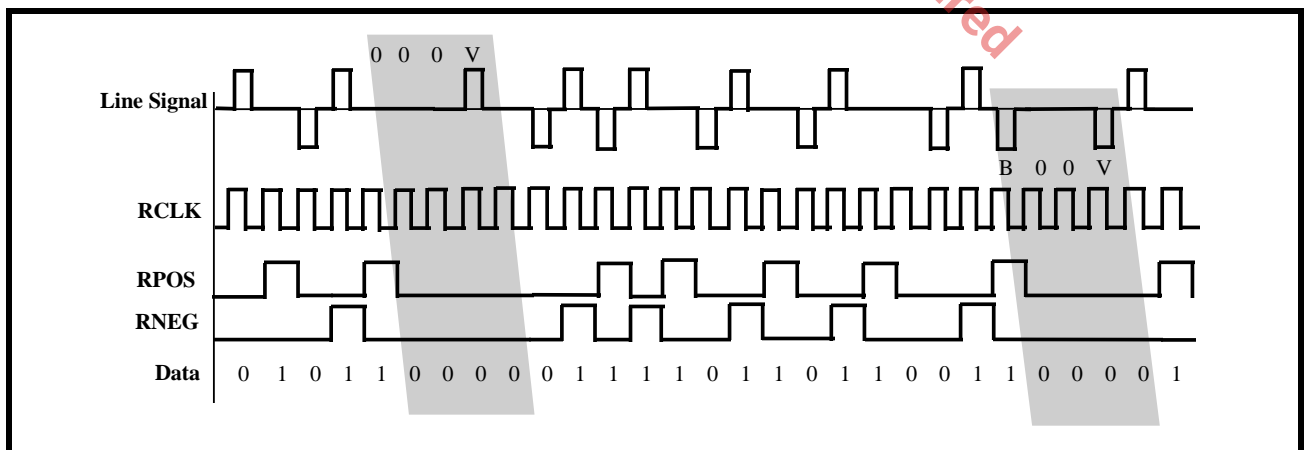
3.5.2 HDB3 Decoding E3 Applications

If the XRT7300 is configured to operate in the E3 Mode, the HDB3/B3ZS Decoding Block performs HDB3 Decoding. When the Decoder is operating in this mode it parses through the incoming Dual-Rail data and checks for the occurrence of either a "000V" or a "B00V" pattern. If the HDB3 Decoder detects this particular pattern, it substitutes these bits with a "0000" pattern.

or a "B00V" pattern. If the HDB3 Decoder detects this particular pattern, it substitutes these bits with a "0000" pattern.

Figure 20 illustrates the HDB3 Decoder at work with two separate Zero Suppression patterns in the incoming Dual-Rail Data Stream.

FIGURE 20. AN EXAMPLE OF HDB3 DECODING



NOTE: If the HDB3 Decoder detects any bipolar violation (e.g., "V") pulses that is not in accordance with the HDB3 Line Code format, or if the HDB3 Decoder detects a string

of 4 (or more) "0's" in the incoming line signal, then the HDB3 Decoder flags this event as a Line Code Violation by pulsing the LCV output pin "High".

XRT7300

E3/DS3/STS-1 LINE INTERFACE UNIT

REV. 1.1.2



3.5.3 Enabling/Disabling the HDB3/B3ZS Decoder

The HDB3/B3ZS Decoder of the XRT7300 can be enabled or disabled by either of the following means:

If the XRT7300 is operating in the Hardware Mode:

Enable the HDB3/B3ZS Decoder by pulling the DECODIS input pin (pin 22) to GND. To disable the HDB3/B3ZS Decoder, pull the DECODIS input pin to VDD.

If the XRT7300 is operating in the HOST Mode:

Enable the XRT7300 HDB3/B3ZS Decoder by writing a "0" into the DECODIS bit-field in Command Register CR2. To disable the HDB3/B3ZS Decoder, write a "1" into the DECODIS bit-field.

COMMAND REGISTER CR2 (ADDRESS = 0X02)

D4	D3	D2	D1	D0
DECODIS	ENCODIS	ALOSDIS	DLOSDIS	REQDIS
0	X	X	X	X

3.6 LOS DECLARATION/CLEARANCE

The XRT7300 contains circuitry that monitors the following two parameters associated with the incoming line signals.

1. The amplitude of the incoming line signal via the RTIP and RRING inputs; and

2. The number of pulses detected (in the incoming line signal) within a certain amount of time.

If the XRT7300 determines that the incoming line signal is missing (either due to insufficient amplitude or a lack of pulses in the incoming line signal), then it declares a Loss of Signal (LOS) condition. The XRT7300 declares the LOS condition by toggling the RLOS output pin "High" and by setting the RLOS bit field in Command Register 0 to "1".

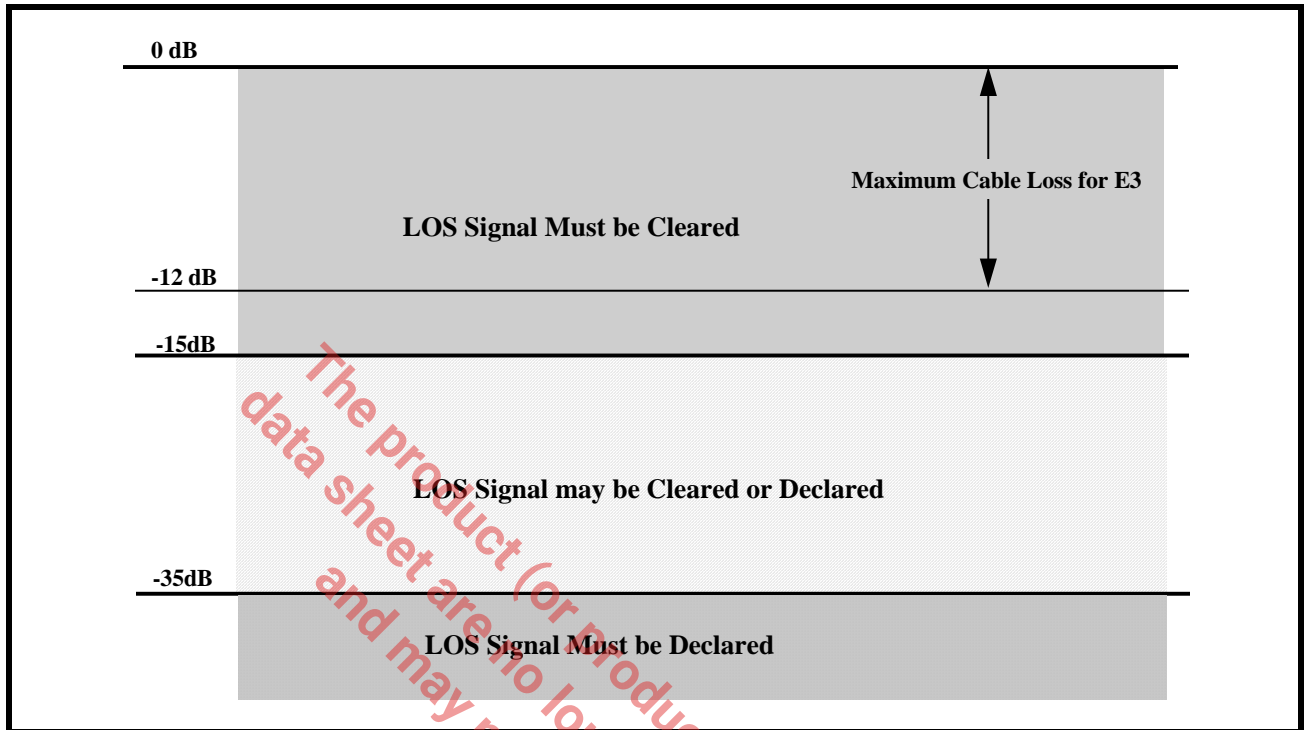
If the XRT7300 determines that the incoming line signal has been restored (e.g., there is sufficient amplitude and pulses in the incoming line signal) then it clears the LOS condition by toggling the RLOS output pin "Low" and setting the RLOS bit-field to "0".

The LOS Declaration/Clearance scheme that is employed in the XRT7300 is based upon ITU-T Recommendation G.775 for both E3 and DS3 applications. The LOS Declaration and Clearance criteria that the XRT7300 uses for each of these modes (e.g., E3 and DS3) are presented below.

3.6.1 The LOS Declaration/Clearance Criteria for E3 Applications

When the XRT7300 is operating in the E3 Mode, it declares an LOS Condition if the signal amplitude drops to -35dB or below. Further, the XRT7300 clears the LOS Condition if the signal amplitude rises back up to -15dB or above. Figure 21 illustrates the signal levels at which the XRT7300 asserts and clears LOS.

FIGURE 21. THE SIGNAL LEVELS THAT THE XRT7300 DECLARES AND CLEARS LOS (E3 MODE ONLY)

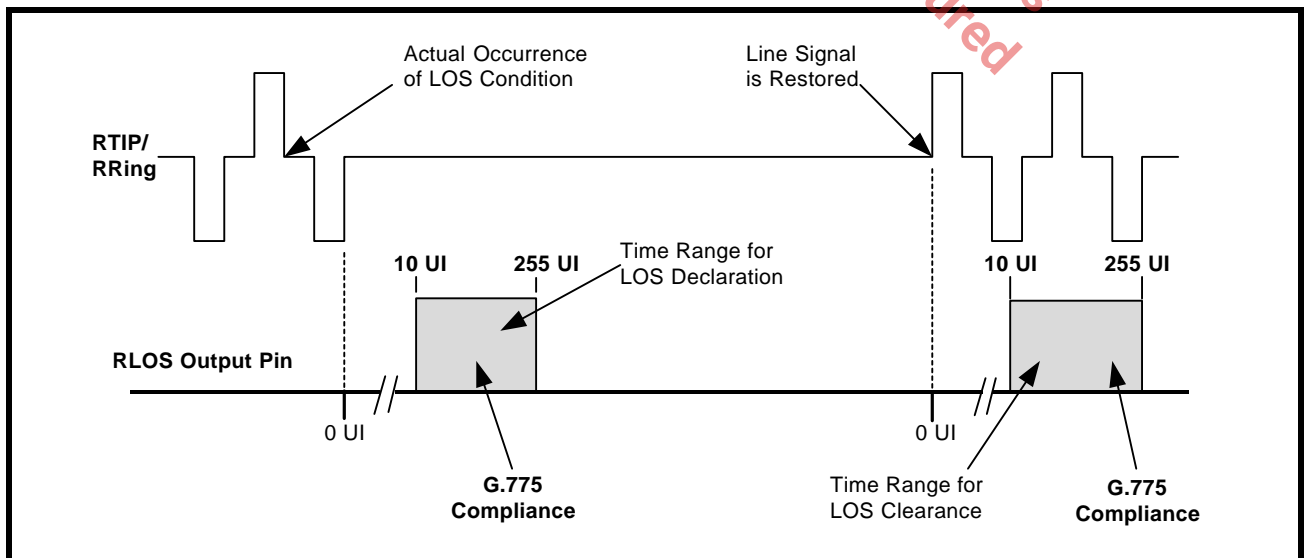


Timing Requirements associated with Declaring and Clearing the LOS Indicator for E3 Applications

The XRT7300 was designed to meet the ITU-T G.775 specification timing requirements for declaring and clearing the LOS indicator. In particular, the XRT7300 declares an LOS between 10 and 255 UI

(or E3 bit-periods) after the actual time the LOS condition occurred. Further, the XRT7300 clears the LOS indicator within 10 to 255 UI after restoration of the incoming line signal. Figure 22 illustrates the LOS Declaration and Clearance behavior in response to the first loss of signal event and then afterwards to the restoration of the signal.

FIGURE 22. THE BEHAVIOR THE LOS OUTPUT INDICATOR IN RESPONSE TO THE LOSS OF SIGNAL AND THE RESTORATION OF SIGNAL



XRT7300

E3/DS3/STS-1 LINE INTERFACE UNIT

REV. 1.1.2



3.6.2 The LOS Declaration/Clearance Criteria for DS3 and STS-1 Applications

When the XRT7300 is operating in the DS3 or STS-1 Modes it declares and clears LOS based on either:

- Analog LOS (ALOS) Declaration/Clearance Criteria or,
- Digital LOS (DLOS) Declaration/Clearance Criteria

In the DS3 or STS-1 Modes the LOS output (RLOS) is simply the logical OR of the ALOS and DLOS states.

1. The Analog LOS (ALOS) Declaration/Clearance Criteria

The XRT7300 declares an Analog LOS (ALOS) Condition if the amplitude of the incoming line signal drops below a specific amplitude as defined by the state of the LOSTHR input pin.

TABLE 4: THE ALOS DECLARATION AND CLEARANCE THRESHOLDS FOR A GIVEN SETTING OF LOSTHR (DS3 AND STS-1 APPLICATIONS) FOR EQUALIZER ENABLED OR DISABLED

APPLICATION	LOSTHR SETTING	SIGNAL LEVEL TO DECLARE ALOS	SIGNAL LEVEL TO CLEAR ALOS
LOS LEVEL WITH EQUALIZER ENABLED			
DS3	0	≤ 55mV	≥ 220mV
	1	≤ 22mV	≥ 70mV
Sonet STS-1	0	≤ 75mV	≥ 270mV
	1	≤ 25mV	≥ 110mV
LOS LEVEL WITH EQUALIZER DISABLED			
DS3	0	≤ 35mV	≥ 155mV
	1	≤ 17mV	≥ 70mV
Sonet STS-1	0	≤ 55mV	≥ 210mV
	1	≤ 20mV	≥ 90mV

Declaring ALOS

The XRT7300 declares an ALOS (Analog LOS) condition whenever the amplitude of the input signal falls below the Signal Level to Declare ALOS levels specified in Table 4.

Clearing ALOS

The XRT7300 clears ALOS whenever the amplitude of the input signal rises above the Signal Level to Clear ALOS levels specified in Table 4.

NOTE: There is approximately a 2dB hysteresis in the received signal level that exists between declaring and clearing ALOS in order to prevent chattering in the RLOS output signal.

Monitoring the State of ALOS

If the XRT7300 is operating in the HOST Mode, the state of ALOS can be polled or monitored by reading

in the contents of Command Register 0. The bit-format of Command Register 0 is presented below.

COMMAND REGISTER CR0 (ADDRESS = 0X00)

D4	D3	D2	D1	D0
RLOL	RLOS	ALOS	DLOS	DMO
Read Only	Read Only	Read Only	Read Only	Read Only

If the ALOS bit-field contains a “1”, the XRT7300 is currently declaring an ALOS condition. If the ALOS bit-field contains a “0”, the device is NOT currently declaring an ALOS condition.

Disabling the ALOS Detector

It is useful to disable the ALOS Detector in the XRT7300 for debugging purposes. If the XRT7300 is operating in the HOST Mode, the ALOS Detector can

be disabled by writing a “1” into the ALOSDIS bit-field in Command Register 2 as depicted below.

COMMAND REGISTER CR2 (ADDRESS = 0X02)

D4	D3	D2	D1	D0
DECODIS	ENCODIS	ALOSDIS	DLOSDIS	REQDIS
X	X	1	X	X

NOTE: Setting both the ALOSDIS and DLOSDIS bit-fields to “1” disables LOS Declaration in the XRT7300.

2. The Digital LOS (DLOS) Declaration/Clearance Criteria

The XRT7300 declare a Digital LOS (DLOS) condition if the XRT7300 detects 160±32 or more consecutive “0’s” in the incoming data.

The XRT7300 clears DLOS if it detects four consecutive sets of 32 bit-periods each of which contains at least 10 “1’s” (e.g., average pulse density of greater than 33%).

Monitoring the State of DLOS

If the XRT7300 is operating in the HOST Mode, the state of DLOS can be polled or monitored by reading in the contents of Command Register 0 as shown.

COMMAND REGISTER CR0 (ADDRESS = 0X00)

D4	D3	D2	D1	D0
RLOL	RLOS	ALOS	DLOS	DMO
Read Only	Read Only	Read Only	Read Only	Read Only

If the DLOS bit-field contains a “1”, the XRT7300 is currently declaring a DLOS condition. If the DLOS bit-field contains a “0”, the device is NOT currently declaring the DLOS condition.

Disabling the DLOS Detector

It is useful to disable the DLOS Detector in the XRT7300 for debugging purposes. If the XRT7300 is operating in the HOST Mode, the DLOS Detector can be disabled by writing a “1” into the DLOSDIS bit-field in Command Register 2.

COMMAND REGISTER CR2 (ADDRESS = 0X02)

D4	D3	D2	D1	D0
DECODIS	ENCODIS	ALOSDIS	DLOSDIS	REQDIS
X	X	X	1	X

NOTE: Setting both the ALOSDIS and DLOSDIS bit-fields to a “1” disables LOS Declaration in the XRT7300.

3.6.3 Muting the Recovered Data while the LOS is being Declared

In some applications it is not desirable for the XRT7300 E3/DS3/STS-1 LIU to recover data and route it to the Receiving Terminal while the LIU is declaring an LOS condition. Consequently, the XRT7300 includes a LOS Muting feature. This feature, if enabled, causes the XRT7300 to halt transmission of the recovered data to the Receiving Terminal while the LOS condition is True. In this case, the RPOS and RNEG output pins are forced to “0”. Once the LOS condition has been cleared, the XRT7300 resumes the transmission of the recovered data to the Receiving Terminal. The XRT7300 allows enabling of the Muting Upon LOS feature by either of the following means.

If the XRT7300 is Operating in the Hardware Mode:

The Muting Upon LOS feature is enabled by pulling the LOSMUTEN input pin (pin 19) to VDD.

If the XRT7300 is Operating in the HOST Mode:

To enable this feature, access the Microprocessor Serial Interface and write a “1” into the LOSMUT bit-field in Command Register 3.

COMMAND REGISTER CR3 (ADDRESS = 0X03)

D4	D3	D2	D1	D0
RNRZ	LOSMUT	CLK2DIS	RCLK2INV	CLK1INV
X	1	X	X	X

NOTE: The XRT7300 automatically declares an LOS Condition any time it has been configured to operate in either the Analog Local Loop-Back or Digital Local Loop-Back Modes. Consequently, MUTing -upon -LOS must be disabled prior to configuring the device to operate in either of these local Loop-Back modes.

3.7 ROUTING THE RECOVERED TIMING AND DATA INFORMATION TO THE RECEIVING TERMINAL EQUIPMENT

The XRT7300 ultimately takes the Recovered Timing and Data information, converts it into CMOS levels and routes it to the Receiving Terminal Equipment via the RPOS, RNEG, RCLK1 and RCLK2 output pins.

The XRT7300 can deliver the recovered data and clock information to the Receiving Terminal in either a Single-Rail or Dual-Rail format.

Routing Dual-Rail Format Data to the Receiving Terminal Equipment

XRT7300

E3/DS3/STS-1 LINE INTERFACE UNIT

REV. 1.1.2



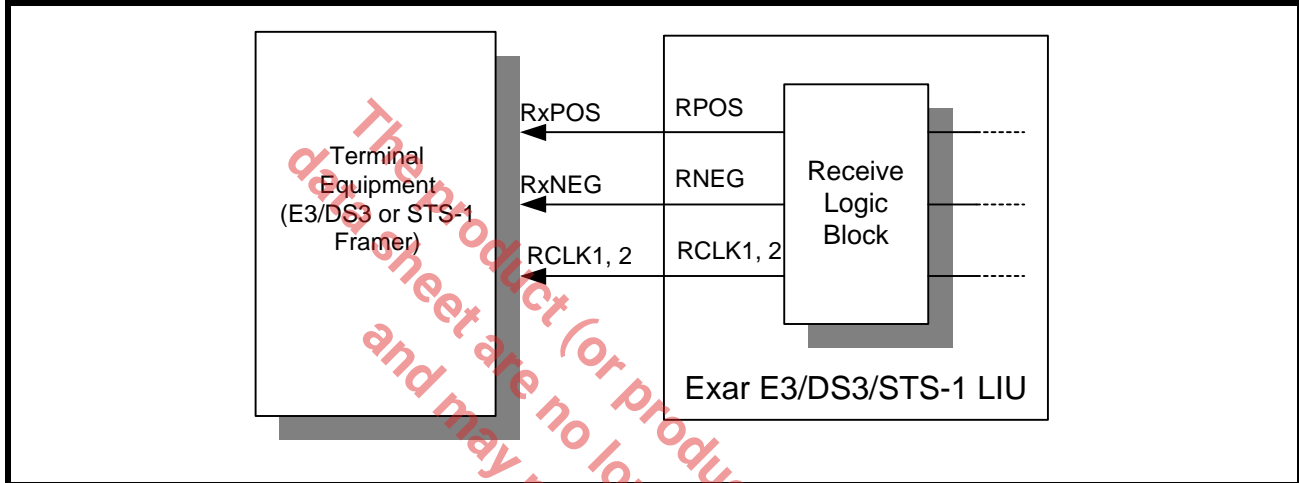
Whenever the XRT7300 delivers Dual-Rail format to the Terminal Equipment it does so via the following output signals.

- RPOS
- RNEG
- RCLK1

- RCLK2

Figure 23 illustrates the typical interface for the transmission of data in a Dual-Rail Format from the Receive Section of the XRT7300 to the Receiving Terminal Equipment.

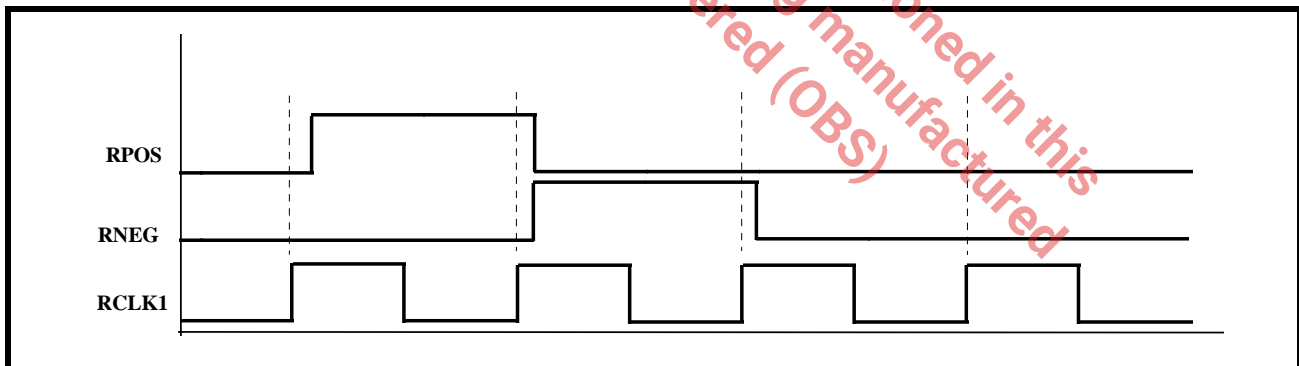
FIGURE 23. THE TYPICAL INTERFACE FOR THE TRANSMISSION OF DATA IN A DUAL-RAIL FORMAT FROM THE RECEIVE SECTION OF THE XRT7300 TO THE RECEIVING TERMINAL EQUIPMENT



The manner that the LIU transmits Dual-Rail data to the Receiving Terminal Equipment is described below and illustrated in Figure 24. The XRT7300 typically

updates the data on the RPOS and RNEG output pins on the rising edge RCLK1 (or RCLK2).

FIGURE 24. HOW THE XRT7300 OUTPUTS DATA ON THE RPOS AND RNEG OUTPUT PINS



RCLK1 (or RCLK2) is the Recovered Clock signal from the incoming Received line signal. As a result, these clock signals are typically 34.368 MHz for E3 applications, 44.736 MHz for DS3 applications and 51.84 MHz for SONET STS-1 applications.

In general, if the XRT7300 received a positive-polarity pulse in the incoming line signal via the RTIP and RRING input pins, then the XRT7300 pulses the RPOS output pin “High”. If the XRT7300 received a negative-polarity pulse in the incoming line signal via

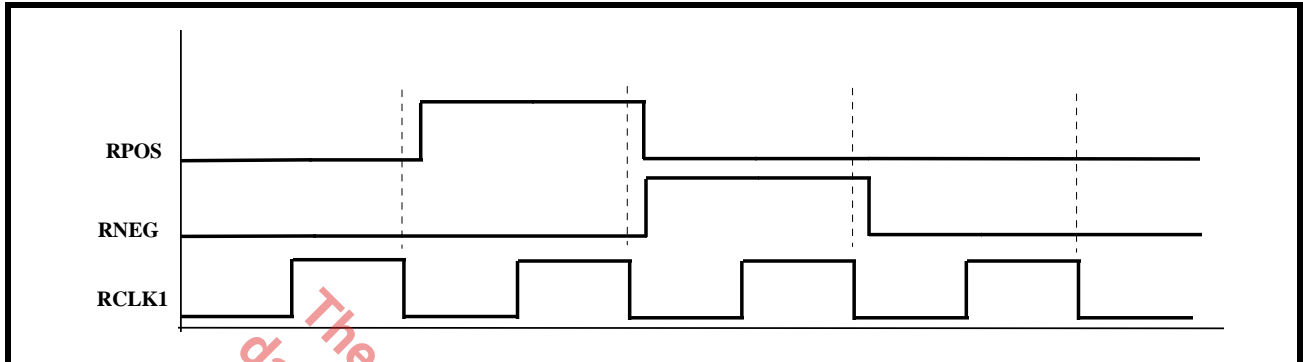
the RTIP and RRING input pins, then the XRT7300 pulses the RNEG output pin “High”.

Inverting the RCLK1 or RCLK2 outputs

When using the XRT7300, either of the RCLK1 or RCLK2 signals can be inverted with respect to the delivery of the RPOS and RNEG output signals to the Receiving Terminal Equipment. This feature may be useful for those customers whose Receiving Terminal Equipment logic design is such that the RPOS and RNEG data must be sampled on the rising edge of RCLK1 or RCLK2. Figure 25 illustrates the behavior

of the RPOS, RNEG and RCLK signals when the RCLK signal has been inverted.

FIGURE 25. THE BEHAVIOR OF THE RPOS, RNEG AND RCLK1 SIGNALS WHEN RCLK1 IS INVERTED



In order to configure the XRT7300 to invert the RCLK1 output signal, the XRT7300 must be operating in the HOST Mode. This configuration can be implemented by accessing the Microprocessor Serial Interface block and writing a “1” into the RCLK1INV bit-field in Command Register CR3 to invert RCLK1.

- A. configure the XRT7300 to operate in the HOST Mode and
- B. access the Microprocessor Serial Interface and write a “1” into the RNRZ bit-field in Command Register CR3.

COMMAND REGISTER CR3 (ADDRESS = 0X03)

D4	D3	D2	D1	D0
RNRZ	LOSMUT	CLK2DIS	RCLK2INV	RCLK1INV
X	X	X	1	1

COMMAND REGISTER CR3 (ADDRESS = 0X03)

D4	D3	D2	D1	D0
RNRZ	LOSMUT	CLK2DIS	RCLK2INV	RCLK1INV
1	X	X	X	X

The RCLK2 output signal can also be inverted when the XRT7300 is operating in the Hardware Mode by setting the RCLK2INV input pin “High”.

3.7.1 Routing Single-Rail Format data (Binary Data Stream) to the Receive Terminal Equipment

To route Single-Rail format data (e.g., a binary data stream) from the Receive Section of the XRT7300 to the Receiving Terminal Equipment, do the following:

After these steps are taken, the XRT7300 outputs Single-Rail data to the Receiving Terminal Equipment via the RPOS and RCLK1 (or RCLK2) output pins as illustrated in Figure 26 and Figure 27.

NOTE: The RNEG output pin is internally tied to Ground whenever this feature is enabled.

FIGURE 26. THE TYPICAL INTERFACE FOR THE TRANSMISSION OF DATA IN A SINGLE-RAIL FORMAT FROM THE RECEIVE SECTION OF THE XRT7300 TO THE RECEIVING TERMINAL EQUIPMENT

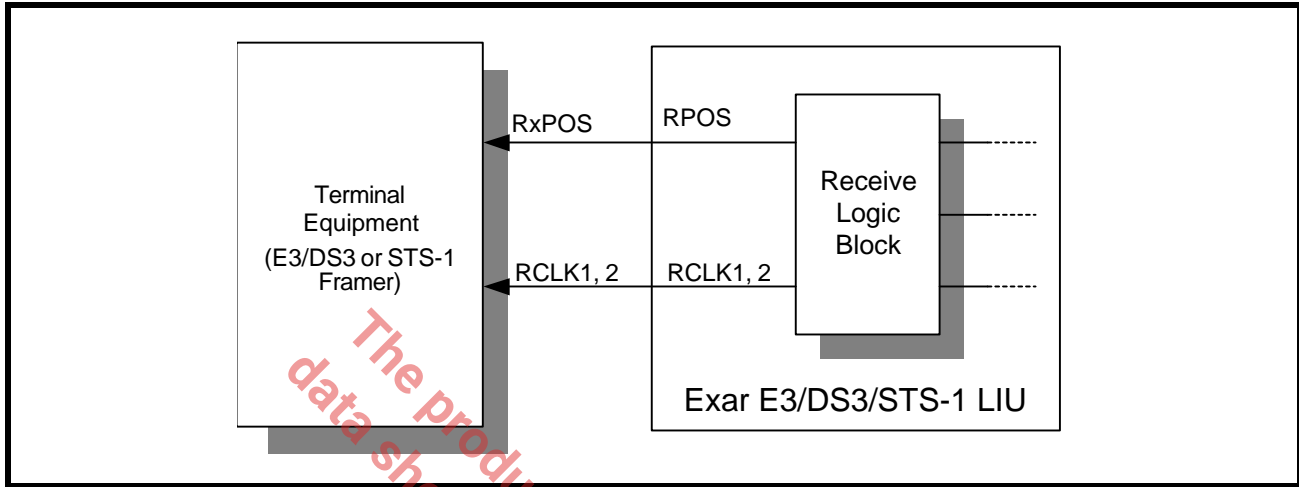
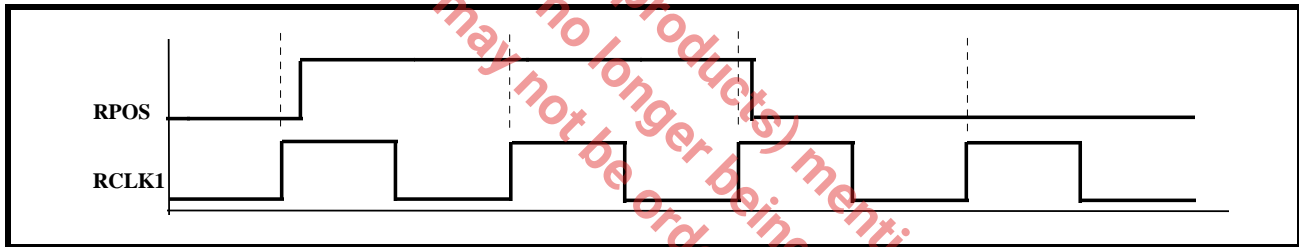


FIGURE 27. THE BEHAVIOR OF THE RPOS AND RCLK1 OUTPUT SIGNALS WHILE THE XRT7300 IS TRANSMITTING SINGLE-RAIL DATA TO THE RECEIVING TERMINAL EQUIPMENT



4.0 DIAGNOSTIC FEATURES OF THE XRT7300

The XRT7300 supports equipment diagnostic activities by supporting the following Loop-Back modes in the chip:

- Analog Local Loop-Back
- Digital Local Loop-Back
- Remote Loop-Back.

4.1 THE ANALOG LOCAL LOOP-BACK MODE

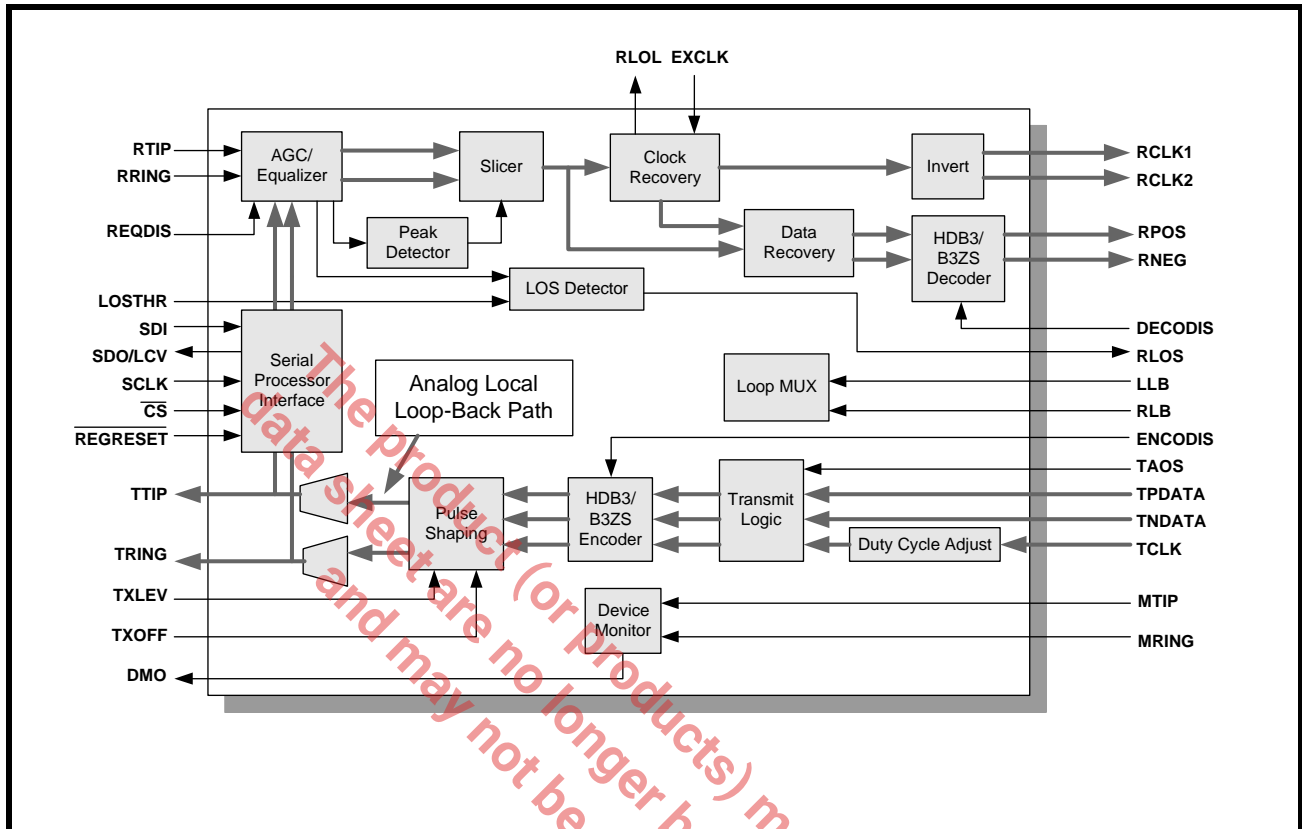
When the XRT7300 is configured to operate in the Analog Local Loop-Back Mode, the XRT7300 ignores any signals that are input to the RTIP and RRING input pins. The Transmitting Terminal Equipment transmits clock and data into the XRT7300 via the TPDATA, TNDATA and TCLK input pins. This data is processed through the Transmit Clock Duty Cycle Adjust

PLL and the HDB3/B3ZS Encoder. Finally, this data outputs to the line via the TTIP and TRING output pins and is looped back into the AGC/Receive Equalizer Block. Consequently, this data is also processed through the Receive Section of the XRT7300. After this post-loop-back data has been processed through the Receive Section it outputs to the Near-End Receiving Terminal Equipment via the RPOS, RNEG, RCLK1 and RCLK2 output pins.

Figure 28 illustrates the path that the data takes when the chip is configured to operate in the Analog Local Loop-Back Mode.

The XRT7300 can be configured to operate in the Analog Local Loop-Back Mode by employing either one of the following two steps:

FIGURE 28. THE ANALOG LOCAL LOOP-BACK IN THE XRT7300



If the XRT7300 is operating in the HOST Mode:

Access the Microprocessor Serial Interface and write a “1” into the LLB bit-field and a “0” into the RLB bit-field in Command Register 4.

COMMAND REGISTER CR4 (ADDRESS = 0X04)

D4	D3	D2	D1	D0
X	STS-1/DS3	E3	LLB	RLB
X	X	X	1	0

If the XRT7300 is operating in the Hardware Mode:

The LLB input pin (pin 14) must be set to “High” and the RLB input pin (pin 15) must be set to “Low”.

NOTES:

1. The Analog Local Loop-Back Mode does not work if the transmitter is turned off via the TXOFF feature.

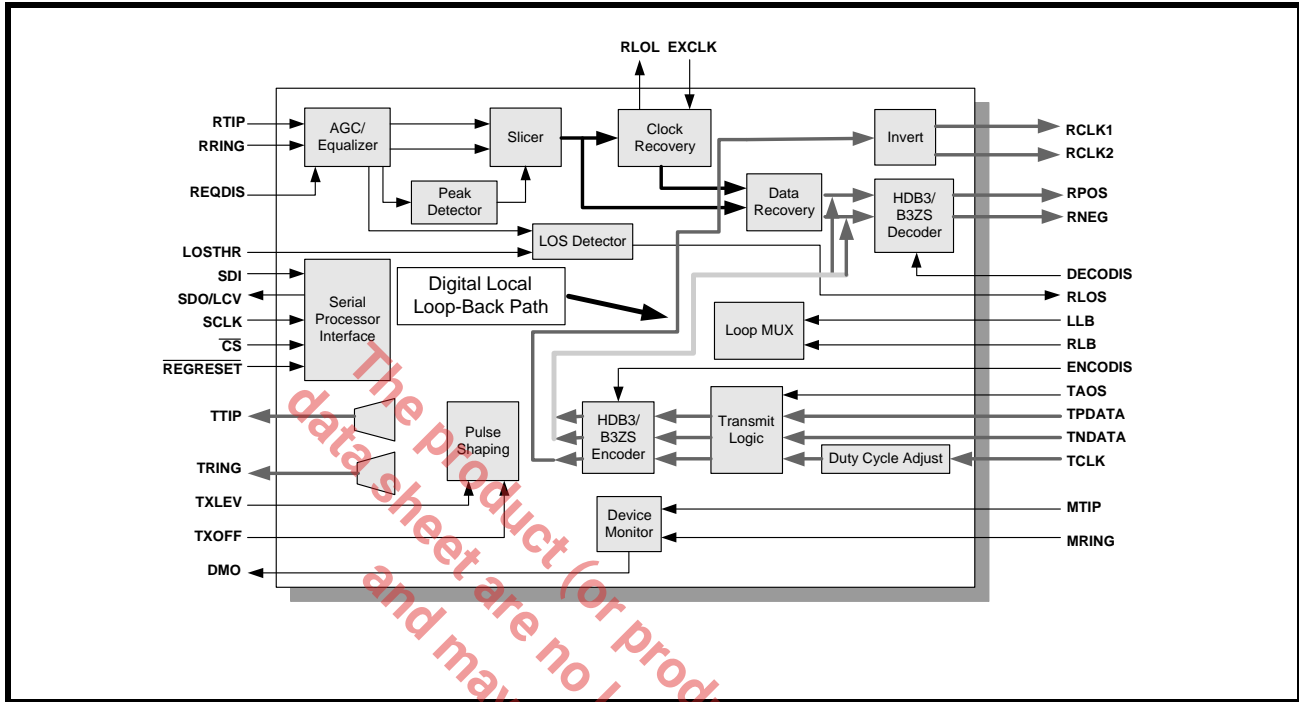
2. The XRT7300 automatically Declares an LOS Condition anytime it has been configured to operate in either the Analog Local Loop-Back or Digital Local Loop-Back Modes. Consequently, the MUTing - upon -LOS must be disabled prior to configuring the device to operate in either of these local Loop-Back modes.

4.2 THE DIGITAL LOCAL LOOP-BACK MODE

When the XRT7300 is configured to operate in the Digital Local Loop-Back Mode, it ignores any signals that are input to the RTIP and RRING input pins. The Transmitting Terminal Equipment transmits clock and data into the XRT7300 via the TPDATA, TNDATA and TCLK input pins. This data is processed through the Transmit Clock Duty Cycle Adjust PLL and the HDB3/B3ZS Encoder block and then looped back to the HDB3/B3ZS Decoder block.

Figure 29 illustrates the path that the data takes when the chip is configured to operate in the Digital Local Loop-Back Mode.

FIGURE 29. THE DIGITAL LOCAL LOOP-BACK PATH IN THE XRT7300



The Digital Local Loop-Back Mode, along with the Tx-OFF feature, is useful in Redundancy System Design. These two features permit the system to execute some diagnostic tests in the Back-up Line Card without transmitting data onto the line and interfering with the DS3/E3/STS-1 traffic from the Primary Line Card.

The XRT7300 can be configured to operate in the Digital Local Loop-Back Mode by employing either one of the following two-steps.

A. If the XRT7300 is operating in the HOST Mode

Access the Microprocessor Serial Interface and write a “1” into both the LLB and RLB bit-fields in Command Register 4.

COMMAND REGISTER CR4 (ADDRESS = 0X04)

D4	D3	D2	D1	D0
X	STS-1/DS3	E3	LLB	RLB
X	X	X	1	1

B. If the XRT7300 is operating in the Hardware Mode

Set both the LLB input pin (pin 14) and the RLB input pin (pin 15) to “High”.

NOTES:

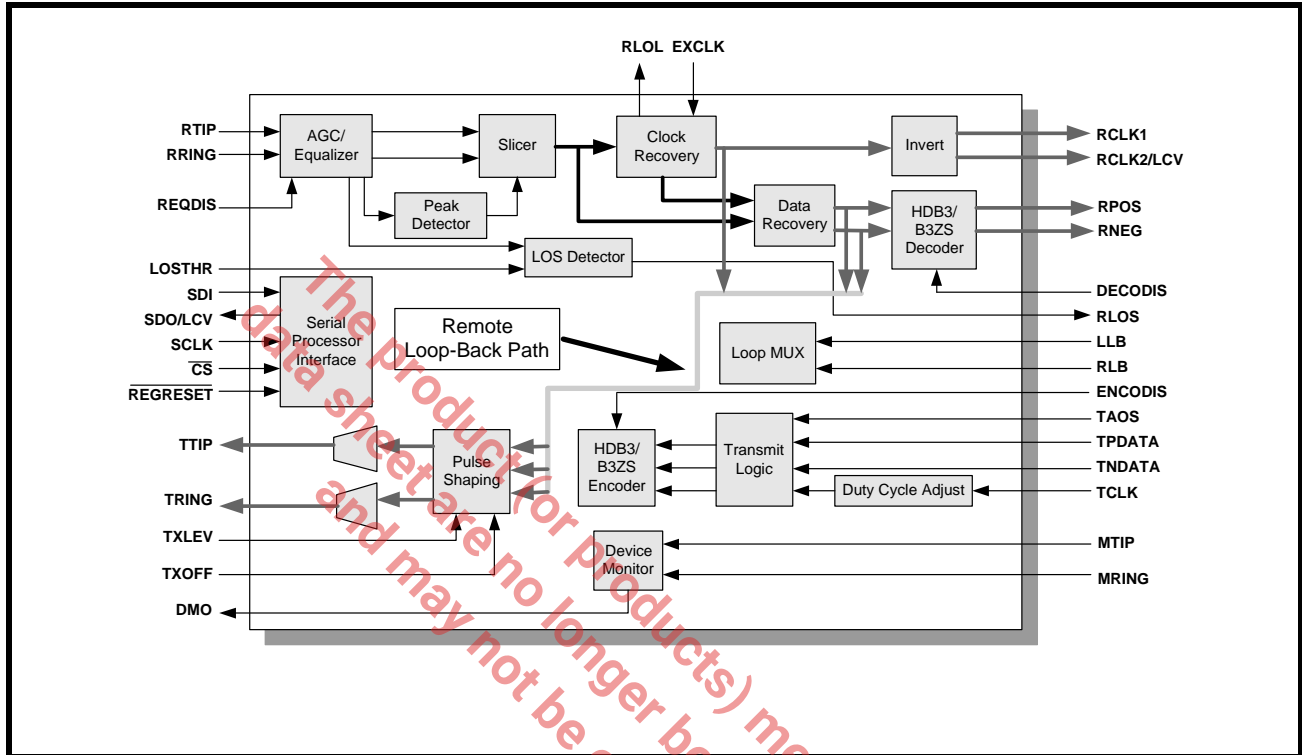
1. The Digital Local Loop-Back Mode feature works even if the transmitter is turned off via the TXOFF feature.
2. The XRT7300 automatically declares an LOS Condition any time it has been configured to operate in either the Analog Local Loop-Back or Digital Local Loop-Back Modes. Consequently, the MUTing - upon -LOS must be disabled prior to configuring the device to operate in either of these local Loop-Back modes.

4.3 THE REMOTE LOOP-BACK MODE

When the XRT7300 is configured to operate in the Remote Loop-Back Mode, it ignores any signals that are input to the TPDATA and TNDATA input pins. The XRT7300 receives the incoming line signal via the RTIP and RRING input pins. This data is processed through the Receive Section of the XRT7300 and outputs to the Receive Terminal Equipment via the RPOS, RNEG, RCLK1 and RCLK2 output pins. Additionally, this data is internally looped back into the Pulse-Shaping block in the Transmit Section. At this point, this data is routed through the remainder of the Transmit Section of the XRT7300 and transmitted out onto the line via the TTIP and TRING output pins.

Figure 30 illustrates the path that the data takes in the XRT7300 when the chip is configured to operate in the Remote Loop-Back Mode.

FIGURE 30. THE REMOTE LOOP-BACK PATH IN THE XRT7300



During Remote Loop-Back operation, any data which is inputted via the RTIP and RRING input pins is also outputted to the Terminal Equipment via the RPOS, RNEG and RCLK output pins.

The XRT7300 can be configured to operate in the Remote Loop-Back Mode by employing either one of the following two steps

If the XRT7300 is operating in the HOST Mode:

Access the Microprocessor Serial Interface and write a "1" into the RLB bit-field and a "0" in the LLB bit-field in Command Register CR4.

COMMAND REGISTER CR4 (ADDRESS = 0X04)

D4	D3	D2	D1	D0
X	STS-1/DS3	E3	LLB	RLB
X	X	X	0	1

If the XRT7300 is operating in the Hardware Mode:

Set the RLB input pin (pin 15) to "High" and the LLB input pin (pin 16) to "Low".

XRT7300

E3/DS3/STS-1 LINE INTERFACE UNIT

REV. 1.1.2



4.4 TXOFF FEATURES

The XRT7300 allows the Transmit Driver in the Transmit Section of the chip to be shut off. This feature can be advantageous for system redundancy conditions or during diagnostic testing. This feature can be activated by either of the following ways.

When the XRT7300 is operating in the Hardware Mode

Shut off the Transmit Driver by toggling the TXOFF input pin (pin 35) "High". Turn on the Transmit Driver by toggling the TXOFF input pin "Low".

When the XRT7300 is operating in the HOST Mode

If the XRT7300 is operating in the HOST Mode, the TXOFF input pin is disabled. Consequently, the Transmit Driver is turned off by writing to Command Register CR1 and setting the TXOFF bit-field (bit D4) to "1".

COMMAND REGISTER CR1 (ADDRESS = 0X01)

D4	D3	D2	D1	D0
TXOFF	TAOS	TXCLKINV	TXLEV	TXBIN
1	X	X	X	X

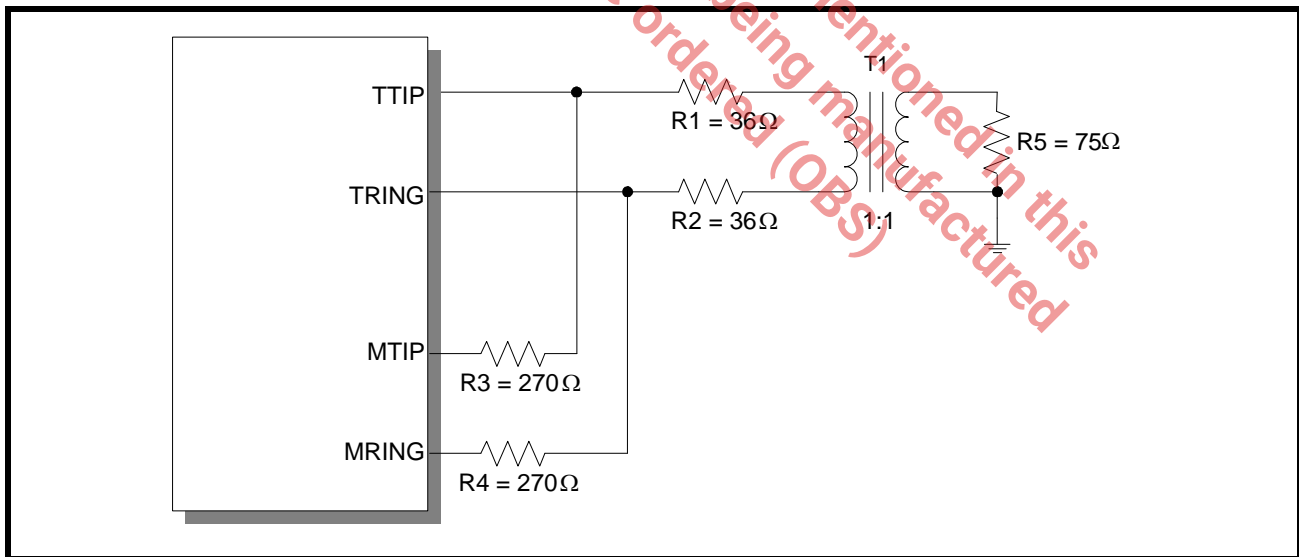
NOTE: If the Transmitter is shut off via the TXOFF feature, the XRT7300 can NOT be configured to operate in the Analog Local Loop-Back Mode. To perform diagnostics on the chip and still invoke the TXOFF feature as in System Redundancy Applications, use the Digital Local Loop-Back feature instead.

4.5 THE TRANSMIT DRIVE MONITOR FEATURES

The Transmit Drive Monitor feature performs monitoring of the line in the Transmit Direction for the occurrence of fault conditions such as a short circuit on the line or a defective Transmit Drive in the XRT7300.

The Transmit Drive Monitor is activated by connecting the MTIP pin (pin 44) to the TTIP line through a 270 Ω resistor connected in series and by connecting the MRING pin (pin 43) to the TRING line through a 270 Ω resistor connected in series, as illustrated in Figure 31.

FIGURE 31. THE XRT7300 EMPLOYING THE TRANSMIT DRIVE MONITOR FEATURES



When the Transmit Drive Monitor circuitry is connected to the line as illustrated in Figure 26, then it monitors the line for transitions. As long as the Transmit Drive Monitor circuitry detects transitions on the line via the MTIP and MRING pins, it keeps the DMO (Drive Monitor Output) signal "Low". However, if the Transmit Drive Monitor circuit detects no transitions

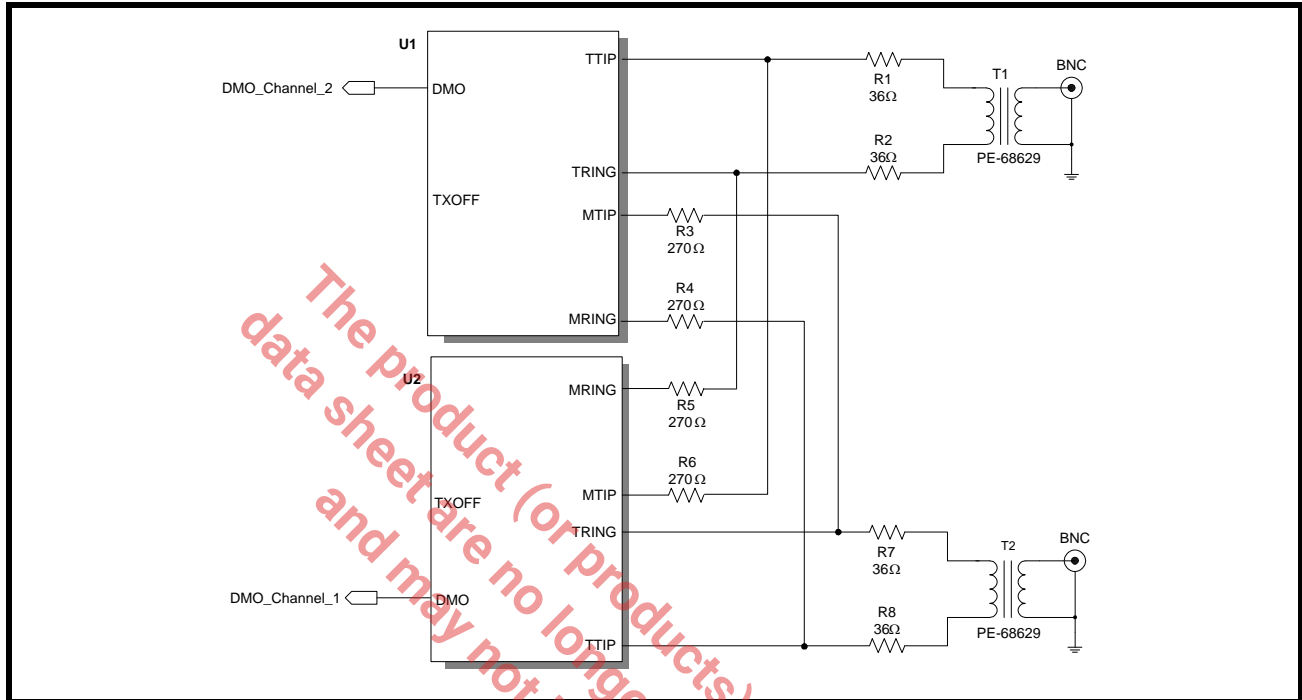
on the line for 128 ± 32 TCLK periods, then the DMO signal toggles "High".

NOTES:

1. The Transmit Drive Monitor circuit does not have to be used to operate the Transmit Section of the XRT7300. This is purely a diagnostic feature.

- The Transmit Drive Monitor feature can also be used to monitor the Transmit Output Line Signal of another LIU IC as illustrated in Figure 32.

FIGURE 32. TWO LIU'S, EACH MONITORING THE TRANSMIT OUTPUT SIGNAL OF THE OTHER LIU IC



Presented in Figure 32, if LIU # 1 (U1) fails, then LIU # 2 (U2) drives its DMO output pin “High”. Likewise, if LIU # 2 (U2) fails, then LIU # 1 (U1) drives its DMO output pin “High”.

The scheme presented in Figure 32 is a better design approach. It overcomes situations in which a LIU monitoring its own signal (Figure 31) may experience a failure mode such that it cannot drive a bipolar signal onto the line. That same failure mode may prevent the LIU from driving the DMO output pin “High”.

4.6 THE TAOS (TRANSMIT ALL ONES) FEATURE

The XRT7300 can transmit an all “1’s” pattern onto the line by toggling a single input pin or by setting a single bit-field in one of the Command Registers to “1”.

NOTE: When this feature is activated, the Transmit Section of the XRT7300 overwrites the Terminal Equipment data with this all “1’s” pattern.

This feature can be activated by either of the following methods.

When the XRT7300 is operating in the Hardware Mode:

Configure the device to transmit an all “1’s” pattern by toggling the TAOS input pin (pin 2) “High”. Terminate the all “1’s” pattern by toggling the TAOS input pin “Low”.

When the XRT7300 is operating in the HOST Mode:

If the XRT7300 is operating in the HOST Mode, the TAOS input pin is disabled. Consequently, the XRT7300 can be configured to transmit an all “1’s” pattern by writing to Command Register CR1 and setting the TAOS bit-field (bit D3) to “1”.

COMMAND REGISTER CR1 (ADDRESS = 0X01)

D4	D3	D2	D1	D0
TXOFF	TAOS	TXCLKINV	TXLEV	TxBIN
0	1	X	X	X

The all “1’s” pattern can be terminated by writing to Command Register CR1 and setting the TAOS bit-field (D3) to “0”.

XRT7300

E3/DS3/STS-1 LINE INTERFACE UNIT

REV. 1.1.2



5.0 THE MICROPROCESSOR SERIAL INTERFACE

The on-chip Command Registers of the XRT7300 DS3/E3/STS-1 Line Interface Unit IC are accessed to configure the XRT7300 into a variety of modes. This

section describes the Command Registers and how to use the Microprocessor Serial Interface.

5.1 DESCRIPTION OF THE COMMAND REGISTERS

A listing of these Command Registers, their Addresses and their Bit-Formats are listed in Table 5.

TABLE 5: ADDRESSES AND BIT FORMATS OF XRT7300 COMMAND REGISTERS

ADDRESS	COMMAND REGISTER	TYPE	REGISTER BIT-FORMAT				
			D4	D3	D2	D1	D0
0x00	CR0	RO	RLOL	RLOS	ALOS	DLOS	DMO
0x01	CR1	R/W	TXOFF	TAOS	TXCLKINV	TXLEV	TXBIN
0x02	CR2	R/W	DECODIS	ENCODIS	ALOSDIS	DLOSDIS	REQDIS
0x03	CR3	R/W	RNRZ	LOSMUT	RCLK2/LCV	RCLK2INV	RCLK1INV
0x04	CR4	R/W	Reserved	STS-1/DS3	E3	LLB	RLB
0x05	CR5	R/W	Reserved	Reserved	Reserved	Reserved	Reserved
0x06	CR6	R/W	Reserved	Reserved	Reserved	Reserved	Reserved
0x07	CR7	R/W	Reserved	Reserved	Reserved	Reserved	Reserved
0x08	CR8	R/W	Reserved	Reserved	Reserved	Reserved	Reserved
0x09	CR9	R/W	Reserved	Reserved	Reserved	Reserved	Reserved
0x10	CR10	R/W	Reserved	Reserved	Reserved	Reserved	Reserved
0x11	CR11	R/W	Reserved	Reserved	Reserved	Reserved	Reserved
0x12	CR12	R/W	Reserved	Reserved	Reserved	Reserved	Reserved
0x13	CR13	R/W	Reserved	Reserved	Reserved	Reserved	Reserved
0x14	CR14	R/W	Reserved	Reserved	Reserved	Reserved	Reserved
0x15	CR15	R/W	Reserved	Reserved	Reserved	Reserved	Reserved

Address:

The register addresses are in **Hexadecimal** format.

Type:

The Command Registers are either Read-Only (RO) or Read/Write (R/W) registers.

NOTES:

1. The default value for each of the bit-fields in these registers is "0".
2. If the $\overline{\text{REGRESET}}$ input pin is asserted, then the contents of the command registers is reset to all "0's" resulting in the XRT7300 operating in the mode corresponding to the default values of the Command Registers.

DESCRIPTION OF BIT-FIELDS FOR EACH COMMAND REGISTER

5.1.1 Command Register - CR0

Bit D4 - RLOL (Receive Loss of Lock Status)

This Read-Only bit-field reflects the lock status of the Clock Recovery Phase-Locked-Loop in the XRT7300.

This bit-field is set to "0" if the Clock Recovery PLL is in lock with the incoming line signal. This bit-field is set to "1" if the Clock Recovery PLL is out of lock with the incoming line signal.

Bit D3 - RLOS (Receive Loss of Signal Status)

This Read-Only bit-field indicates whether or not the Receiver in the XRT7300 is currently declaring an LOS (Loss of Signal) Condition.

This bit-field is set to "0" if the XRT7300 is not currently declaring the LOS Condition. This bit-field is set to "1" if the XRT7300 is declaring an LOS Condition.

Bit D2 - ALOS (Analog Loss of Signal Status)



This Read-Only bit-field indicates whether or not the Analog LOS Detector in the XRT7300 is currently declaring an LOS condition.

This bit-field is set to "0" if the Analog LOS Detector in the XRT7300 is NOT currently declaring an LOS condition. Conversely, this bit-field is set to "1" if the Analog LOS Detector is currently declaring an LOS condition.

The purpose of this feature is to isolate either the Analog LOS or the Digital LOS detector that is declaring the LOS condition. This feature may be useful for troubleshooting/debugging purposes.

Bit D1 - DLOS (Digital Loss of Signal Status)

This Read-Only bit-field indicates whether or not the Digital LOS Detector in the XRT7300 is currently declaring an LOS condition.

This bit-field is set to "0" if the Digital LOS Detector in the XRT7300 is NOT currently declaring an LOS condition. Conversely, this bit-field is set to "1" if the Digital LOS Detector is currently declaring an LOS condition.

NOTE: The purpose of this feature is to isolate the Detector (e.g., either the Analog LOS or the Digital LOS detector) that is declaring the LOS condition. This feature may be useful for troubleshooting/debugging purposes.

Bit D0 - DMO (Drive Monitor Output Status)

This Read-Only bit-field reflects the status of the DMO output pin.

5.1.2 Command Register - CR1

Bit D4 - TXOFF (Transmitter OFF)

This Read/Write bit-field is used to turn off the Transmitter in the XRT7300.

Writing a "1" to this bit-field turns off the Transmitter and tri-states the Transmit Output. Writing a "0" to this bit-field turns on the Transmitter.

Bit D3 - TAOS (Transmit All Ones)

This Read/Write bit-field is used to command the XRT7300 Transmitter to generate and transmit an all "1's" pattern onto the line.

Writing a "1" to this bit-field commands the Transmitter to transmit an all "1's" pattern onto the line. Writing a "0" to this bit-field commands normal operation.

Bit D2 - TXCLKINV (Transmit Clock Invert)

This Read/Write bit-field is used to configure the XRT7300 Transmitter to sample the signal at the TP-

DATA and TNDATA pins on the rising or falling edge of TCLK (the Transmit Line Clock signal).

Writing a "1" to this bit-field configures the Transmitter to sample the TPDATA and TNDATA input pins on the rising edge of TCLK. Writing a "0" to this bit-field configures the Transmitter to sample the TPDATA and TNDATA input pins on the falling edge of TCLK.

Bit D1 - TXLEV (Transmit Level Select)

This Read/Write bit-field is used to enable or disable the XRT7300 Transmit Line Build-Out circuit.

Setting this bit-field "High" disables the Line Build-Out circuit of the XRT7300. In this mode, the XRT7300 outputs partially-shaped pulses onto the line via the TTIP and TRING output pins. Setting this bit-field "Low" enables the Line Build-Out circuit of the XRT7300. In this mode the XRT7300 outputs shaped pulses onto the line via the TTIP and TRING output pins.

To comply with the Isolated DSX/STSX-1 Pulse Template Requirements per Bellcore GR-499-CORE or GR-253-CORE, either:

1. set this input pin to "1" if the cable length between the Cross-Connect and the transmit output of the XRT7300 is greater than 225 feet or
2. set this input pin to "0" if the cable length between the Cross-Connect and the transmit output of the XRT7300 is less than 225 feet.

NOTE: This option is only available when the XRT7300 is operating in the DS3 or STS-1 Mode.

Bit D0 - TXBIN (Transmit Binary Data)

This Read/Write bit-field permits configuring of the Transmitter in the XRT7300 to accept an un-encoded binary data stream via the TPDATA input and converts this data into the appropriate bipolar signal to the line.

Writing a "1" configures the Transmitter to accept a binary data stream via the TPDATA input.

NOTE: The TNDATA input is ignored.

This form of data acceptance is sometimes referred to as Single-Rail mode operation. The Transmitter then encodes this data into the appropriate line code (e.g., B3ZS or HDB3) prior to its transmission over the line.

Writing a "0" configures the Transmitter to accept data in a Dual-Rail manner (e.g., via both the TPDATA and TNDATA inputs).

XRT7300

E3/DS3/STS-1 LINE INTERFACE UNIT

REV. 1.1.2



5.1.3 Command Register - CR2

Bit D4 - DECODIS (B3ZS/HDB3 Decoder-Disable)

This Read/Write bit-field is used to either enable or disable the B3ZS/HDB3 Decoder in the XRT7300.

Writing a "1" to this bit-field disables the B3ZS/HDB3 Decoder. Writing a "0" to this bit-field enables the B3ZS/HDB3 Decoder.

NOTE: This Decoder performs HDB3 Decoding if the XRT7300 is operating in the E3 Mode. Otherwise it performs B3ZS Decoding.

Bit D3 - ENCODIS (B3ZS/HDB3 Encoder-Disable)

This Read/Write bit-field is used to enable or disable the B3ZS/HDB3 Encoder in the XRT7300.

Writing a "1" to this bit-field disables the B3ZS/HDB3 Encoder. Writing a "0" to this bit-field enables the B3ZS/HDB3 Encoder.

NOTE: This Encoder performs HDB3 Encoding if the XRT7300 is operating in the E3 Mode. Otherwise, it performs B3ZS Encoding.

Bit D2 - ALOSDIS (Analog LOS Disable)

This Read/Write bit-field is used to disable the Analog LOS Detector.

Writing a "0" to this bit-field enables the Analog LOS Detector. Writing a "1" to this bit-field disables the Analog LOS Detector.

NOTE: If the Analog LOS Detector is disabled, then the RLOS input pin is only asserted by the DLOS (Digital LOS Detector).

Bit D1 - DLOSDIS (Digital LOS Disable)

This Read/Write bit-field is used to disable the Digital LOS Detector.

Writing a "0" to this bit-field enables the Digital LOS Detector. Writing a "1" to this bit-field disables the Digital LOS Detector.

NOTE: If the Digital LOS Detector is disabled, then the RLOS input pin is only asserted by the ALOS (Analog LOS Detector).

Bit D0 - REQDIS (Receive Equalization Disable)

This Read/Write bit-field is used to either enable or disable the internal Receive Equalizer in the XRT7300.

Writing a "0" to this bit-field enables the Internal Equalizer. Writing a "1" to this bit-field disables the Internal Equalizer.

5.1.4 Command Register - CR3

Bit D4 - RNRZ (Receive Binary Data)

This Read/Write bit-field is used to configure the XRT7300 to output the received data from the Remote Terminal in a binary or Dual-Rail format.

Writing a "1" to this bit-field configures the XRT7300 to output data to the Terminal Equipment in a Single-Rail (binary) format via the RPOS output pin. The RNEG is grounded. A "0" to this bit-field configures the XRT7300 to output data to the Terminal Equipment in a Dual-Rail format via both the RPOS and RNEG output pins.

Bit D3 - LOSMUT (Recovered Data MUTing during LOS Condition)

This Read/Write bit-field is used to configure the XRT7300 to NOT output any recovered data while it is declaring an LOS condition to the terminal equipment.

Writing a "0" to this bit-field configures the chip to output recovered data even while the XRT7300 is declaring an LOS condition. Writing a "1" to this bit-field configures the chip to NOT output the recovered data while an LOS condition is being declared.

NOTE: In this mode, RPOS and RNEG is set to "0" asynchronously.

Bit D2 - RCLK2/LCV (Receive Clock Output 2/Line Code Violation)

This Read/Write bit-field is used to select the function of pin 30 (RCLK2/LCV). Pin 30 can be configured to function as the Line Code Violation output indicator or as the additional Receive Clock Output (RCLK2).

Writing a "0" to this bit-field configures the pin to function as the Line Code Violation output pin. Writing a "1" to this bit-field configures this pin to function as the RCLK2 output pin.

Bit D1 - RCLK2INV (Invert RCLK2)

This Read/Write bit-field is used to configure the Receiver in the XRT7300 to output the recovered data on either the rising edge or the falling edge of the RCLK2 clock signal.

Writing a "0" to this bit-field configures the Receiver to output the recovered data on the rising edge of the RCLK2 output signal. Writing a "1" to this bit-field configures the Receiver to output the recovered data on the falling edge of the RCLK2 output signal.

Bit D0 - RCLK1INV (Invert RCLK1)

This Read/Write bit-field is used to configure the Receiver in the XRT7300 to output the recovered data on either the rising edge or the falling edge of the RCLK1 clock signal.

Writing a "0" to this bit-field configures the Receiver to output the recovered data on the rising edge of the RCLK1 output signal. Writing a "1" to this bit-field configures the Receiver to output the recovered data on the falling edge of the RCLK1 output signal.

5.1.5 Command Register - CR4

Bit D4 - Reserved

This bit-field has no defined functionality

Bit D3 - STS-1/DS3 Mode Select

This Read/Write bit-field is used to configure the XRT7300 to operate in either the SONET STS-1 Mode or the DS3 Mode.

Writing a "0" into this bit-field configures the XRT7300 to operate in the DS3 Mode. Writing a "1" into this bit-field configures the XRT7300 to operate in the SONET STS-1 Mode.

NOTE: This bit-field is ignored if the E3 bit-field (D2 in this Command Register) is set to "1"

Bit D2 - E3 Mode Select

This Read/Write bit-field is used to configure the XRT7300 to operate in the E3 Mode.

Writing a "0" into this bit-field configures the XRT7300 to operate in either the DS3 or SONET STS-1 Mode specified by the setting of the DS3 bit-field in this Command Register. Writing a "1" into this bit-field configures the XRT7300 to operate in the E3 Mode.

Bit D1 - LLB (Local Loop-Back)

This Read/Write bit-field along with RLB (bit D0 in this Command Register) is used to select which Loop-Back mode the XRT7300 operates in. Table 6 relates the state of the LLB and RLB to the selected Loop-Back mode.

Bit D0 - RLB (Remote Loop-Back)

This Read/Write bit-field along with LLB (bit D1 in this Command Register) is used to select which Loop-Back mode the XRT7300 operate in. Table 6 relates the state of the LLB and RLB bits to the selected Loop-Back mode.

TABLE 6: LOOP-BACK MODES

LLB (BIT D1)	RLB (BIT D0)	LOOP-BACK MODE
0	0	No Loop-Back Mode (Normal Operation)
0	1	Remote Loop-Back Mode
1	0	Analog Loop-Back Mode
1	1	Digital Loop-Back Mode

5.2 OPERATING THE MICROPROCESSOR SERIAL INTERFACE.

The XRT7300 Serial Interface is a simple four wire interface that is compatible with many of the microcontrollers available in the market. This interface consists of the following signals:

- \overline{CS} - Chip Select (Active Low)
- SCLK - Serial Clock
- SDI - Serial Data Input
- SDO - Serial Data Output

Using the Microprocessor Serial Interface

The following instructions for using the Microprocessor Serial Interface are best understood by referring to the diagram in Figure 33.

In order to use the Microprocessor Serial Interface, a clock signal must be supplied to the SCLK input pin. A Read or Write operation can then be initiated by asserting the active-low Chip Select input pin (\overline{CS}). It is important to assert the \overline{CS} pin (e.g., toggle it "Low") at least 50ns prior to the very first rising edge of the clock signal.

Once the \overline{CS} input pin has been asserted, the type of operation and the target register address must now be specified. This information is supplied to the Microprocessor Serial Interface by writing eight serial bits of data into the SDI input.

NOTE: Each of these bits is clocked into the SDI input on the rising edge of SCLK. These eight bits are identified and described below.

Bit 1 - R/W (Read/Write) Bit

This bit is clocked into the SDI input on the first rising edge of SCLK after \overline{CS} has been asserted. This bit indicates whether the current operation is a Read or Write operation. A "1" in this bit specifies a Read operation, a "0" in this bit specifies a Write operation.

Bits 2 through 5: The four (4) bit Address Values (labeled A0, A1, A2 and A3)

The next four rising edges of the SCLK signal clock in the 4-bit address value for this particular Read (or Write) operation. The address selects the Command Register in the XRT7300 that the user is either reading data from or writing data to. The address bits must be supplied to the SDI input pin in ascending order with the LSB (least significant bit) first.

Bits 6 and 7:

The next two bits, A4 and A5 must be set to "0" as shown in Figure 33.

Bit 8:

The value of A6 is a "don't care".

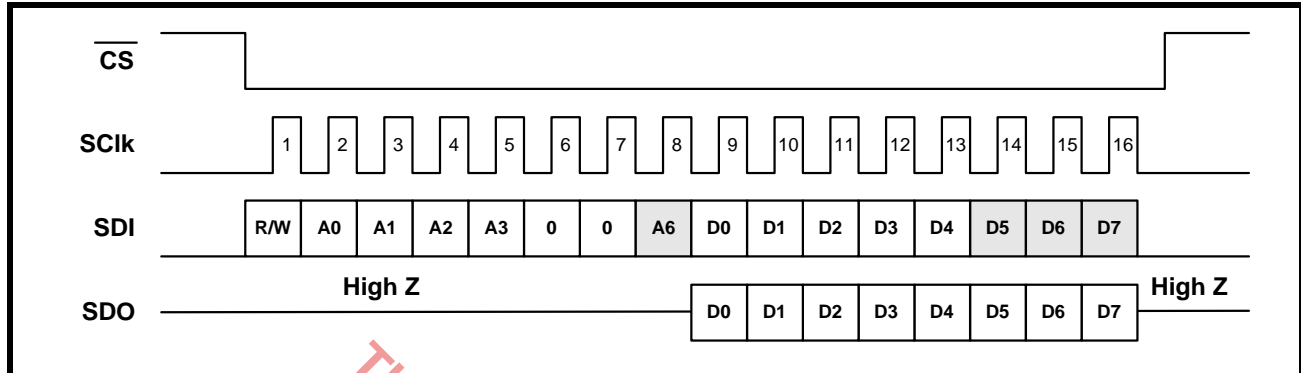
XRT7300

E3/DS3/STS-1 LINE INTERFACE UNIT

REV. 1.1.2



FIGURE 33. MICROPROCESSOR SERIAL INTERFACE DATA STRUCTURE



Notes:

- Denotes a "don't care" value

A4 and A5 are always "0".

R/W = "1" for "Read" Operations

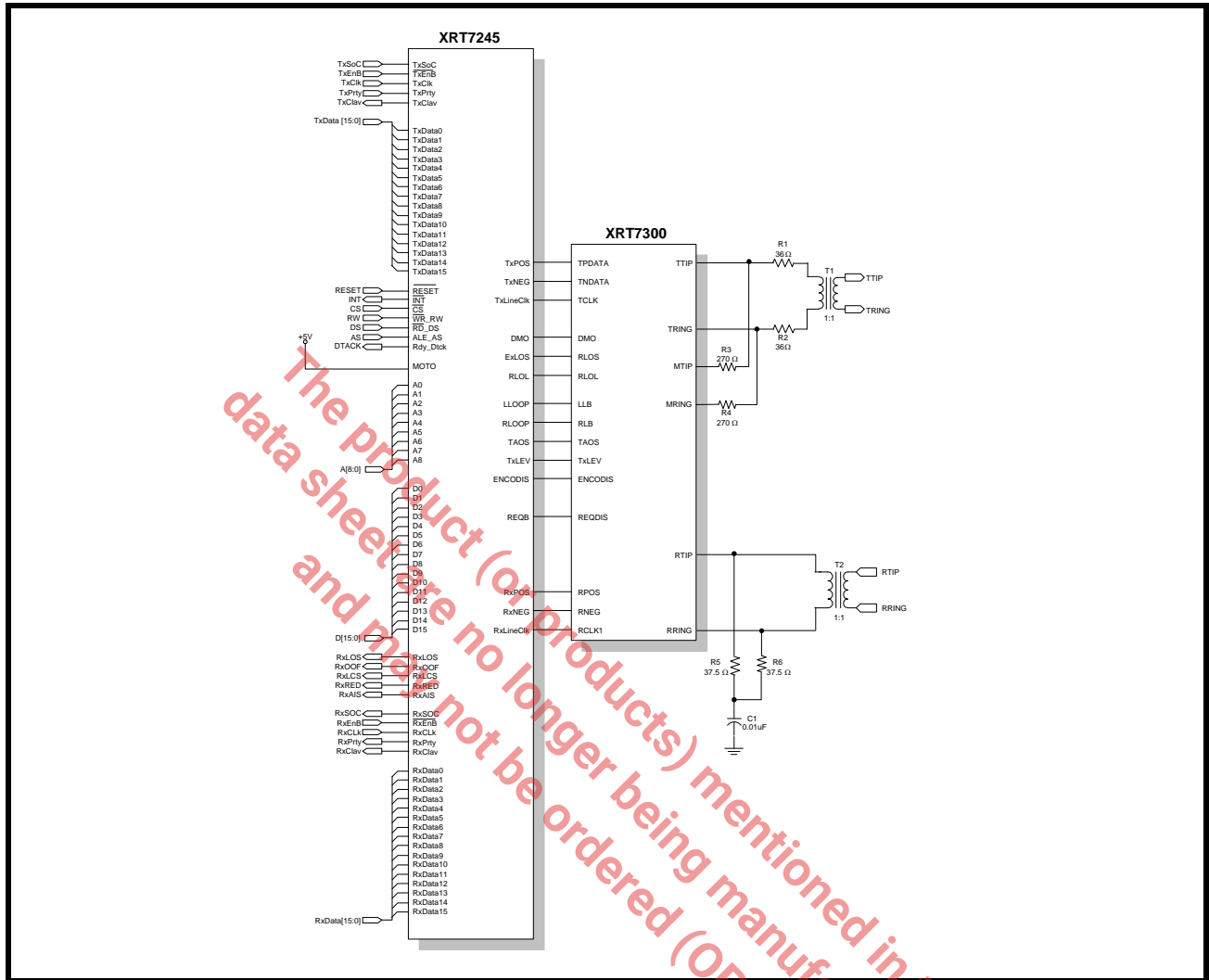
R/W = "0" for "Write" Operations

Figure 34 illustrates how to interface the XRT7300 to the XRT7234/45 E3/DS3 ATM UNI IC.

For more information on the XRT7234 E3 UNI or the XRT7245 DS3 UNI IC's please consult the XRT7234 E3 UNI IC or the XRT7245 DS3 UNI IC Data Sheets.

The product (or products) mentioned in this data sheet are no longer being manufactured and may not be ordered (OBS)

FIGURE 34. HOW TO INTERFACE THE XRT7300 IC TO THE XRT7234/45 E3/DS3 ATM UNI IC



XRT7300

E3/DS3/STS-1 LINE INTERFACE UNIT

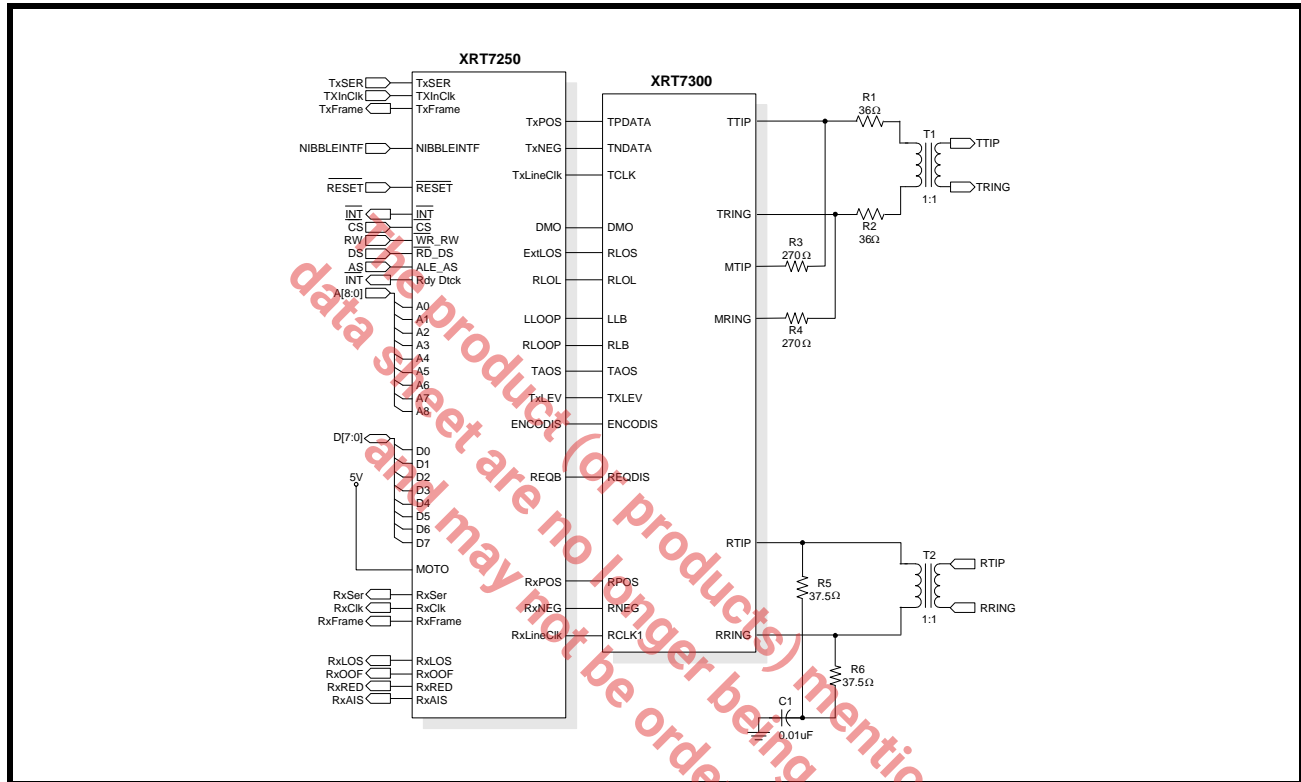
REV. 1.1.2



Figure 35 illustrates how to interface the XRT7300 to the XRT7250 E3/DS3 Framers IC. Please note that in this case, the XRT7300 has been configured to operate in the Hardware Mode.

For more information on the XRT7250 E3/DS3 Framers IC's please consult the XRT7250 E3/DS3 Framers IC Data Sheet.

FIGURE 35. HOW TO INTERFACE THE XRT7300 IC TO THE XRT7250 DS3/E3 FRAMER IC

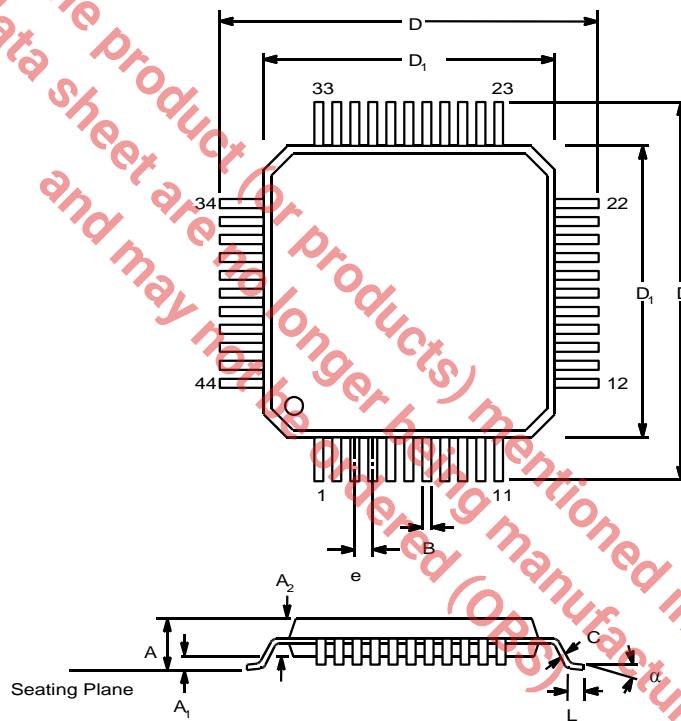


ORDERING INFORMATION

PART NO.	PACKAGE	OPERATING TEMPERATURE RANGE
XRT7300IV	44 Pin TQFP (10mm x 10mm)	-40°C to +85°C

PACKAGE DIMENSIONS

44 LEAD THIN QUAD FLAT PACK
(10 x 10 x 1.4 mm TQFP)
rev. 1.00



SYMBOL	INCHES		MILLIMETERS	
	MIN	MAX	MIN	MAX
A	0.055	0.063	1.4	1.6
A1	0.002	0.006	0.05	0.15
A2	0.053	0.057	1.35	1.45
B	0.012	0.018	0.3	0.45
C	0.004	0.008	0.09	0.2
D	0.465	0.48	11.8	12.2
D1	0.39	0.398	9.9	10.1
e	0.0315 BSC		0.80 BSC	
L	0.018	0.03	0.45	0.75
α	0°	7°	0°	7°

Note: The control dimension is the millimeter column

XRT7300

E3/DS3/STS-1 LINE INTERFACE UNIT

REV. 1.1.2



REVISION HISTORY

Rev. 1.0.0 original

Rev. 1.0.1 page 12 Leakage Current Units from mA to μ A

Rev. 1.0.2 edits to missing symbols

Rev. 1.0.3 changes to Notes for Analog and Digital Loop-Back modes and added ESD Rating

Rev. 1.0.4 and 1.0.5 Added REQDIS to block diagram; renamed REG_RESET* to REGRESET, CS* to CS, ICT* to ICT, HOST/HW* to HOST/HW, STS-1/DS3* to STS-1/DS3; changed format/style of the data sheet and removed unnecessary verbage; added ta-

ble of contents. Modified figures 3 & 4 for completeness.

Rev. 1.0.7 added Device Monitor function to block diagram, changed figure 22, RxIN to RTIP/RRING.

Rev. 1.1.0 Electrical tables incorrectly stated 3.3V replaced with 5.0V, Rev # made consistent with production products.

Rev 1.1.1 Added connection points to various drawings.

Rev 1.1.2 Changed the description for the TTIP and TRING pins in the PIN DEFINITION table to accurately reflect their functions.

The product (or products) mentioned in this data sheet are no longer being manufactured and may not be ordered (OBS)



The product (or products) mentioned in this data sheet are no longer being manufactured and may not be ordered (OBS)

NOTICE

EXAR Corporation reserves the right to make changes to the products contained in this publication in order to improve design, performance or reliability. EXAR Corporation assumes no responsibility for the use of any circuits described herein, conveys no license under any patent or other right, and makes no representation that the circuits are free of patent infringement. Charts and schedules contained here in are only for illustration purposes and may vary depending upon a user's specific application. While the information in this publication has been carefully checked; no responsibility, however, is assumed for inaccuracies.

EXAR Corporation does not recommend the use of any of its products in life support applications where the failure or malfunction of the product can reasonably be expected to cause failure of the life support system or to significantly affect its safety or effectiveness. Products are not authorized for use in such applications unless EXAR Corporation receives, in writing, assurances to its satisfaction that: (a) the risk of injury or damage has been minimized; (b) the user assumes all such risks; (c) potential liability of EXAR Corporation is adequately protected under the circumstances.

Copyright 2001 EXAR Corporation

Datasheet May 2011.

Reproduction, in part or whole, without the prior written consent of EXAR Corporation is prohibited.